

Dataprodukter utöver det vanliga

- Built-in Li-ion battery
- Microprocessor controller guarantees high reliability
- Auto start when plugged in
- Manual power off switch
- Multi-color indicator
- Overload, short-circuit, over-charge and over-discharge protection



Model	DCEnergy 25
AC INPUT	
Voltage Range	90 VAC ~ 264 VAC
Frequency	50 or 60 Hz
Surge protection	1.5KV (Optional K.21 enhanced, 6KV)
DC OUTPUT	
Voltage	12VDC ± 5%
Max. Power	25W (2.1A)
BATTERY	
Type	Lithium-ion Battery
Voltage	3.7VDC
Capacity	2600mAh
Typical Charging Time	3 hours recover to 90% capacity
PROTECTION	
Battery	Deep Discharge, Over-charge and Short Circuit Protection
Input/Output	Fuse for Short Circuit and Overload Protection
INDICATORS	
LED Display	Full Battery / Green lighting
Battery Charging	Constant flashing on Green LED
Battery Discharging	Quick flashing on Green LED
Fault	Red lighting
PHYSICAL	
Input Plug	Mounted on the housing (NEMA/EU/UK)
Output cable	1m Length (DC Male Jack, OD 4mm, ID 1.7mm)
Dimension, D x W x H (mm)	68 x 42 x 74
Net Weight (g)	280

Product specifications are subject to change without further notice.

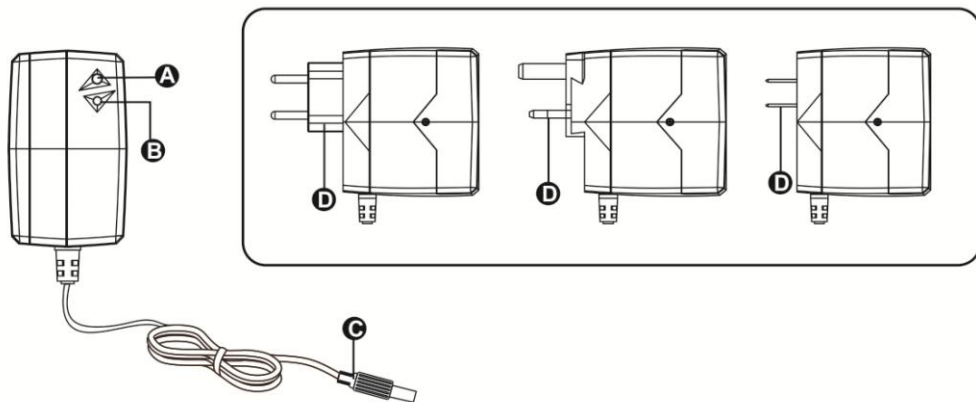
1. Package Contents

You should have received the following items inside of package:

- DC UPS adapter unit
- Quick Guide

If anything is missing or damage in the package, please contact your dealer.

2. Product Overview



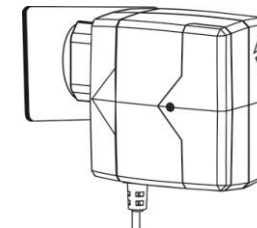
- A** Restart/Off Button
- B** LED indicator
- C** DC output connector
- D** AC input

3. Installation and Operation

NOTE: Before installation, please inspect the unit. Be sure that nothing inside the package is damaged.

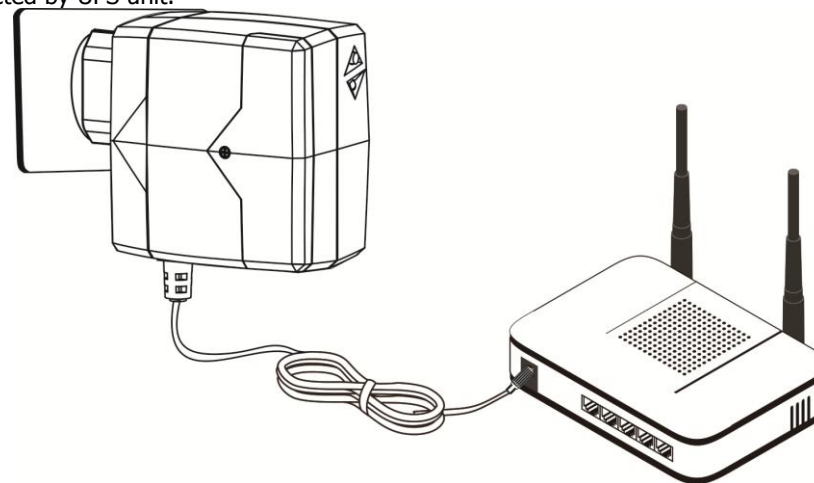
Connect to Utility and Charging

Plug in the AC input plug (**D**) to the wall outlet. The UPS will be automatically turned on and green LED will light on. If battery is not fully charged, the UPS will auto charge battery and green LED will flash.



Connect the Loads

Plug in the loads to DC output connector (**C**) of the UPS. Then, connected device will be protected by UPS unit.



LED Indication

This LED is two-color indicator: green or red color depending on operation status.

Status	Color	On/Flash
Power on with battery fully charged.	Green	On
Power on with charging battery.	Green	Steady Flash
UPS is on but power failure occurs. UPS will transfer to DC mode and battery is discharging.	Green	Quick Flash
Any fault occurs on UPS.	Red	On

4. Applications

The DC UPS is designed to provide emergency power backup to all kinds of DC-powered equipment such as routers, modems, set-top box, VOIP phone systems, surveillance system, alarm system, access control system and many critical telecom equipment.

5. Important Safety Warning (SAVE THESE INSTRUCTIONS)

To safely operate this DC UPS, please read and follow all instructions carefully.

Read this manual thoroughly before attempting to unpack, install, or operate.

You may keep this quick guide for further reference.

CAUTION! Do NOT place this unit under the hot and humid environment.

CAUTION! Do NOT disassemble this product.

CAUTION! If the battery level is low, please recharge battery immediately.

CAUTION! When install or replace a new battery, be sure positive (+) and negative (-) are correctly connected. Otherwise, DC UPS will be damaged.

5. Trouble Shooting

Use the table below to solve minor problems.

Problem	Possible Cause	Solutions
Red LED is on.	Overload or short circuit occurs on UPS and UPS transfers to fault mode.	Press button for more than 1 second and release to restart unit.
Battery backup time is shorter than nominal value.	Battery is far too low.	Contact your dealer to replace the special battery.
No output and LED indicator is not on.	Internal fault has occurred.	Contact your dealer.

6. Specifications

AC INPUT	
Voltage Range	90 VAC ~ 264 VAC
Frequency	50 or 60 Hz
DC OUTPUT	
Voltage	12VDC \pm 5%
Max. Power	25W (2.1A)
BATTERY	
Type	Lithium-ion Battery
Nominal Voltage	3.7VDC
Capacity	2600mAh
Typical Charging time	3 hours recover to 90% capacity
PHYSICAL	
Input Plug	Mounted on the housing (NEMA/Schuko/UK)
Output cable	1m Length (DC Male Jack, OD 4mm, ID 1.7mm)
Dimension, D X W X H (mm)	68 x 42 x 74
Net Weight	280g

7. Approximate Back-up Time Table

Load	Backup Time @ 12Vdc (min)
12V/1.0A Router	150
12V/1.5A Router	120
12V/2.0A Router	90

The logo for DIREKTRONIK, featuring the brand name in a bold, italicized, red font with a white outline, set against a yellow background.

Direktronik AB tel. 08-52 400 700 www.direktronik.se