

## RJ-45 (Altpin On) to RJ-45 Cisco Console Adapter

### Adapter Cables

#### Digi - Cisco Console Adapter, Altpin RJ-45 to RJ-45

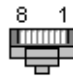
The wiring diagram for an Altpin RJ-45 8-pin to a Cisco Console RJ-45 8-pin adapter cable is shown in Table 1.

The Following cables are available from Digi:

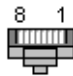
76000631 Qty-1 6' Cisco/SUN Netra  
 76000632 Qty-8 6' Cisco/SUN Netra  
 76000633 Qty-16 6' Cisco/SUN Netra

**Table 1: EIA-232 Altpin RJ-45 to RJ-45**

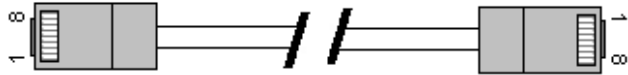
From RJ-45	Signal	Direction	Signal	To RJ-45 Cisco
1	DCD	←	DTR	2
5	RxD	←	TxD	3
4	TxD	→	RxD	6
8	DTR	→	DSR	7
6	SG	↔	SG	5
2	RTS	→	CTS	8
7	CTS	←	RTS	1
3	GND	↔	GND	4



FRONT:  
RJ-45 8-Pin



FRONT:  
RJ-45 8-Pin



Connectors not to scale

- Arrows indicate which direction the signal is flowing

#### NOTES:

- Works for most current Cisco routers.
- Be careful not to swap cable ends. One end will go to DIGI and the other to the router.
- Altpin should be turned on when using this cable.