

HTemp-1Wire - Humidity & Temperature sensor

Digital temperature and humidity sensor for indoor usage. The sensor is designed for using with the Poseidon, Ares, HWg-STE and other HW group products.

You can have several parallel sensors on one RJ11 sensor port. Each one sensor is identified by a unique serial number.



HTemp-1Wire 3m
-30°C to +80°C



HTemp-1Wire Box2
-10°C to +80°C



HTemp-1Wire Rack19
-10°C to +80°C

Technical parameters

- **Sensor measured range** **-30°C / -10°C to +80°C** (-22°F / 14°F to +176°F)
 0 - 100% RH (Relative Humidity)
- Temp. sensor resolution 0.1 °C
- Temp. measuring accuracy **± 0.8 °C** in range from +20°C to +40°C
 ± 1.3 °C (-10°C to +70°C)
- RH Accuracy ± 5% RH, 20 - 80%RH non-condensing, 25 °C
- RH Linearity & Hysteresis <3% RH typical, ±3% RH span maximum
- RH Repeatability ±0.2% RH
- Communication 1-Wire bus (Data, GND, +5V) - RJ11

- **HTemp-1Wire 3m**

- Probe dimension 78 x 9.5 x 6 mm, cable 3m
- Montage drill 1x Ø3mm



- **HTemp-1Wire Rack19**

- Probe dimension 83 x 44 x 18 mm, 2x RJ11, cable 3m included
- Montage drill 2x Ø6mm



- **HTemp-1W Box2**

- Probe dimension 80 x 68 x 31 mm, 2x RJ11, cable 3m included
- Montage drill 2x Ø3mm



Sensors & Accessories



HTemp-1Wire 3m



Temp-1Wire 1m



Temp-1Wire-Flat 3m



T-Box



HTemp-1Wire Outdoor 3m



Temp-Rack19



Temp-1Wire-Outdoor 3m

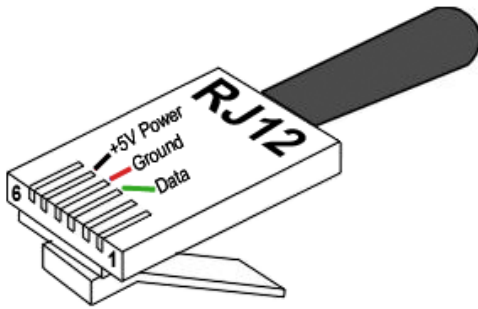


T-Box

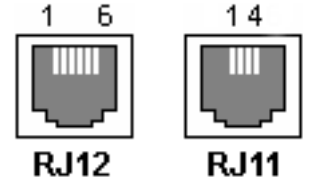
Temperature & Humidity sensors & Accessories

HTemp-1Wire 3m	<i>Temperature & Humidity sensor (-30 to +80°C, 0 to 100% RH). 3 meter long cable with 1-Wire connector RJ11, encased in black covering.</i>
HTemp-1Wire Box2	<i>Temperature & Humidity sensor (-10 to +80°C, 0 to 100% RH). Boxed sensor designed for internal use, 2x RJ11 daisy-chainable 1-Wire, 3m cable included.</i>
HTemp-1Wire Rack19	<i>Temperature & Humidity sensor (-10 to +80°C, 0 to 100% RH). 1U rack mount housing, 2x RJ11 daisy-chainable 1-Wire, 3m cable included. Sensor designed for 19" rack cabinets.</i>
Humid-1Wire 1m / 3m / 10m	<i>Humidity sensor (0 to 100% RH) on a 1m / 3m / 10m long cable with 1-Wire connector RJ11, encased in black covering.</i>
HTemp-1Wire Outdoor 3m	<i>Temperature & Humidity outdoor sensor (-30 to +85°C, 0 to 100% RH). 3 meter long cable with 1-Wire connector RJ11. Sensor encased in outdoor metal tube.</i>
T-Box	Hub for connecting 1 to 5 sensors to 1-Wire bus (5x RJ11), 10 cm connecting cable.
T-Box2	Hub for connecting 1 or 2 sensors to 1-Wire sensors (RJ11), 3 m connecting cable.
Temp-1Wire 3m IP67	<i>Temperature sensor (-10°C to +80°C), on a 3 meter long cable with 1-Wire connector RJ11. Watertight (IP67) sensor probe, stainless steel 17241.</i>
Temp-1Wire 10m IP67	<i>Temperature sensor (-10°C to +80°C), on a 10 meter long cable with 1-Wire connector RJ11. Watertight (IP67) sensor probe, stainless steel 17241.</i>
Temp-1Wire 1m / 3m / 10m	<i>Temperature sensor (-10°C to +80°C), on a 1 / 3 / 10 meter long cable with 1-Wire connector RJ11, encased in white covering.</i>
Temp-1Wire-Outdoor 3m	<i>Temperature outdoor sensor (-50°C to +125°C) - Multi-purpose watertight (IP67) sensor probe, stainless steel 17241 with PVC cable 3m, 1-Wire connector RJ11.</i>
Temp-1Wire-Flat 3m	<i>Temperature sensor for freezers (-30 to +60°C), watertight (IP67) stainless steel 17241 probe, flat cable 3m, 1-Wire connector RJ11.</i>

Connectors



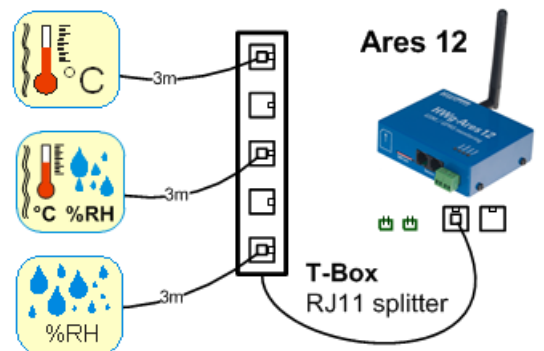
RJ12	RJ11			
3	2	Data	<->	Data 1-Wire
4	3	GND	---	System Ground
5	4	+5V	---	Power supply



Sensors wiring examples

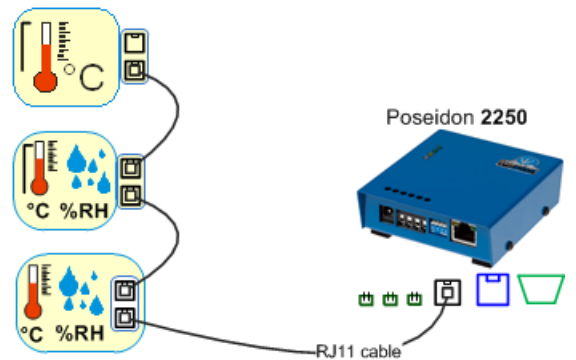
Star topology – 60m in total:

You can use the T-Box or T-Box2 splitters to connect more sensors to one device active port.



Daisy-chained – 60m in total:

There are two RJ11 female connectors on some sensors.



4x active port, 4x60m:

