

FOR TWO MONITORS

SV06

DESKTOP DOUBLE ARM MOUNT

FOR TWO 19"-27" SCREENS

Designed for mounting two monitors. SV06 is a desktop mount with arms, which is a perfect solution for those who find computer ergonomics a priority. Two types of desk mounts are suitable for any installation, increasing the functionality of the mount. Three rotation axes and full height adjustment of both monitors enable the user to achieve optimum screen alignment and provide the maximum comfort of work. Cable management is integrated in the entire mount for smart installation. SV06 will prove itself mainly among those in professions related to the day-long operation of monitors, in particular, in the industry, transport and monitoring centres.



FEATURES

- Designed for mounting 2 monitors
- Easy height adjustment
- 2 types of fastenings included (desk clamp and desk through mount)
- 3 rotation axes of each arm
- Cable management
- Simple installation

PRODUCT SPECIFICATIONS

Short index	SV06
Category	Desktop Monitor Mounts
Product group	Display Mounts
Colour	Black
Warranty	Limited 5-years
Number of screens	2
Minimum screen size	19"
Maximum screen size	27"
Maximum load	20 kg
Forward tilting	-50°/+50°
Height adjustment	Yes
VESA Mounting Compatibility	75x75 up to 100x100



19"-27"



75x75
100x100



-50°/+50°



20 kg



Height adjustment



3 rotation axes of each arm

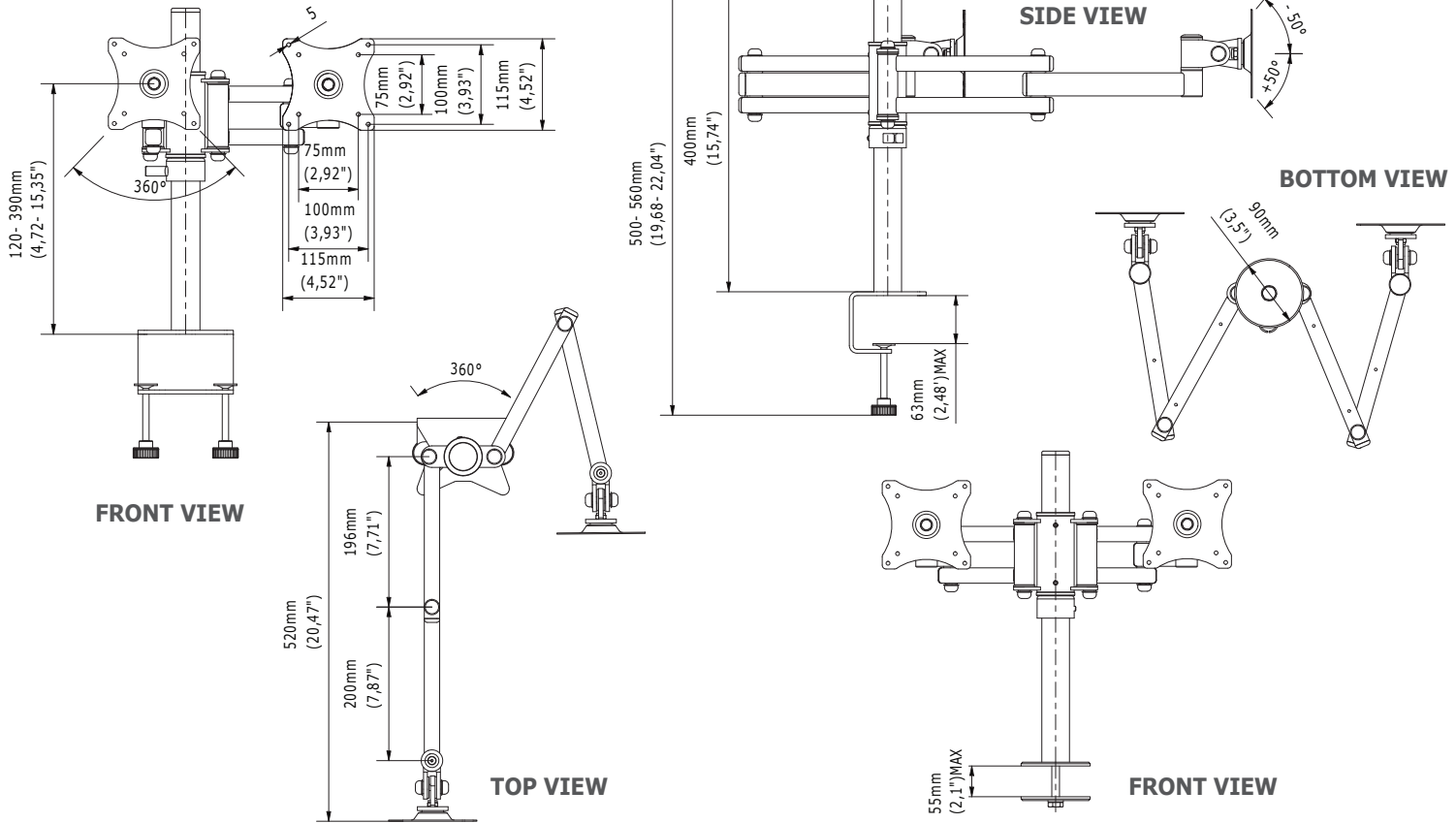


2 types of desk mounting options



Cable management

TECHNICAL DRAWINGS



TECHNICAL SPECIFICATIONS

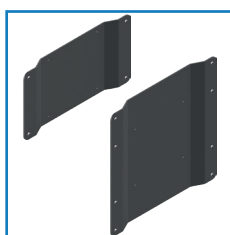
Product dimensions	W: 160 mm D: 520 mm H: 500 mm (W:6,30" D:20,47" H:19,69")
Product weight	6 kg (13 lb)
Max. distance from mounting surface	390 mm (15,35")
Min. distance from mounting surface	120 mm (4,72")
Max. mounting pattern	100 mm x 100 mm
Min. mounting pattern	75 mm x 75 mm

LOGISTICS DATA

SAP INDEX	EAN CODE	COLOUR	PACKAGE DIMENSIONS	PACKAGE WEIGHT
WUBI-SV06c-B	5908252961603	BLACK	520 x 275 x 115 mm 20,47 x 10,83 x 4,53"	7 kg 15 lb

HS Code (Harmonized System): 732690, HTS Code (Harmonized Tariff Schedule): 7326909890, Country of Origin: Poland

ACCESSORIES AND RELATED PRODUCTS



GDA1/GDA2



SVA01/SVA02



SV05



DM121