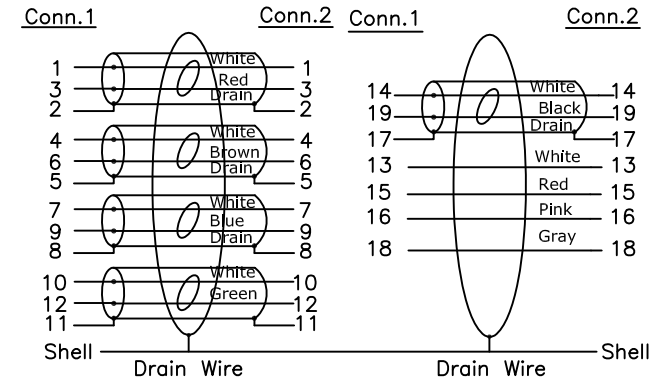


ELECTRICAL TEST:

- 1.100% OPEN & SHORT & MIS WIRE TEST
- 2.CONTACT RESISTANCE:2 OHM(MAX)
- 3.INSULATION RESISTANCE:10M OHM(MIN)300V/10ms
- 4.TEST: 4*2K /60HZ

Pin Assignment



12	W=22MM 25u Copper Foil 55MM*2PCS	0.11	m
11	H.S.T: φ 1.0*20mm Black	0.02	m
10	HDMI A/M 28AWG Clam~Black~PA66	1	pcs
9	HDMI AF~28AWG~Clam~Black~PA66	1	pcs
8	HDMI M Dust cap	1	pcs
7	HDMI F Dust cap	1	pcs
6	HDMI AF~ABS Jacket	1	pcs
5	HDMI AF~Solder insulation:Black shell gold plated pin gold plated	1	pcs
4	45P Black PVC	20	g
3	LDPE	3	g
2	HDMI A/M 19P Solder insulation:Black shell gold plated pin gold plated	1	pcs
1	HDMI2.0~UL20276[28AWG(7/0.127TC)+EAM]*5P+28AWG(7/0.127TC)*4C+AEB(16/5/0.12AL 50%ALMG)OD:7.3MM~Black~Mark: HIGH SPEED HDMI? CABLE WITH ETHERNET E342987 見 AWM STYLE 20276 80°C 30V VW-1	0.2	m
NO	DESCRIPTION	Q'TY	UNIT

REV.	ECN	DESCRIPTION	DATE	Name		
					TOLERANCE	
					INCHES	M/M
.X	.015 .30	TITLE: HDMI2.0 AM TO AF CABLE~28AWG~OD7.3MM~0.2M				
.XX	.010 .10					
.XXX	.005 .05					

Best.nr: 20101266

CHECK BY	SCALE	NONE	DRAWING NO.:	REV. A1
APPD BY	UNIT	MM		1/2
	DATE	2019.04.08		