

Basic Setup Steps

1. Power the module and tap the “Network Setup” tab on the right of the touch screen. *(Tap the screen if it's not visible)*
2. Tap either Ethernet Settings or Wireless Settings.
 - a. • **Ethernet** - Enable DHCP.
 - OR
 - **Wireless** - Enable Wireless. Select your network and security. Enter the password, then enable DHCP.
 - b. Assign the module a static IP address. *(Disable DHCP to see the blue “IP” box and network information)* Tap a box to expand it, then enter the desired network information.
3. Tap the “Back” button, then tap Reboot.
4. Tap the “Info” tab to see the IP address. *(e.g. 192.168.1.5)*

Factory Default Settings

Control Page Web Address: `http://*IP address*`

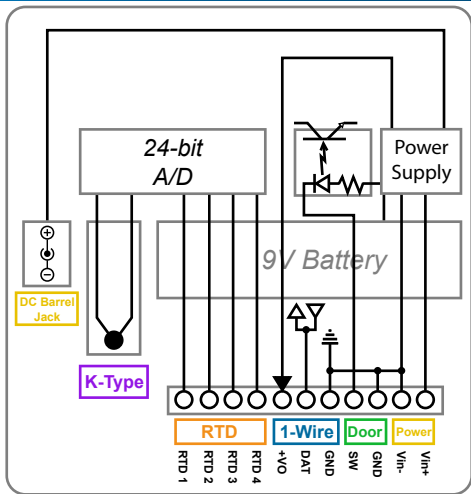
Setup Page Web Address: `http://*IP address*/setup.html`

Setup Username: admin

Setup Password: webrelay *(all lower case)*

See users manual for setup instructions:
www.ControlByWeb.com/support/

FridgeAlert | Pinout Diagram



Vin+ Power Supply Input (9-28VDC)
Vin- Power Supply Input (Ground)
RTD 1-4 2/3/4 Wire RTD; PT 100/1000 (5k Ohm Max)
1-Wire **GND:** Ground for 1-Wire Sensors

DAT: Data

+Vo: +5VDC Output

Door **GND:** Ground for Door

SW: Switch Closure Input

K-Type Omega Mini Thermcouple Connector

DIREKTRONIK

CONTROL
by
WEB

www.ControlByWeb.com

1681 West 2960 South, Nibley, UT 84321, USA