

UG67 Gateway

Quick Start Guide

Safety Precautions

Milesight will not shoulder responsibility for any loss or damage resulting from not following the instructions of this operating guide.

- The device must not be modeled in any way.
- Do not place the device close to objects with naked flames.
- Do not place the device where the temperature is below/above the operating range.
- Do not power on the device or connect it to other electrical device when installing.
- Check lightning and water protection when used outdoors.
- Do not connect or power the equipment using cables that have been damaged.

Related Documents

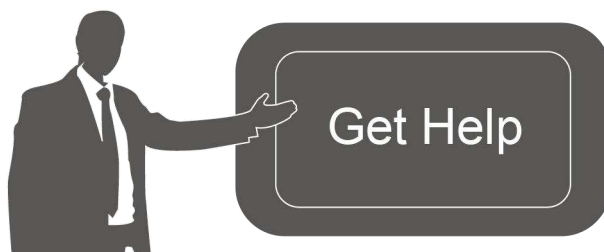
This Quick Start Guide only explains the installation of Milesight UG67 LoRaWAN® Gateway. For more functionality and advanced settings, please refer to the relevant documents as below.

Document	Description
UG67 Datasheet	Datasheet for UG67 LoRaWAN® Gateway.
UG67 User Guide	Users can refer to the guide for instruction on how to log in the web GUI, and how to configure all the settings.

The related documents are available on Milesight website: <https://www.milesight-iot.com>

Declaration of Conformity

UG67 is in conformity with the essential requirements and other relevant provisions of the CE, FCC, and RoHS.



For assistance, please contact
Milesight technical support:
Email: iot.support@milesight.com
Tel: 86-592-5085280
Fax: 86-592-5023065

Revision History

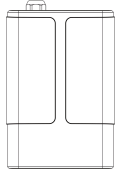
Date	Doc Version	Description
October 30, 2020	V1.0	Initial version

Contents

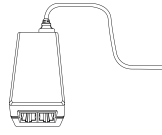
1. Packing List.....	4
2. Hardware Introduction.....	5
2.1 Overview.....	5
2.2 Dimensions	5
2.3 LED Indicators.....	5
2.4 Reset Button.....	6
3. Hardware Installation.....	7
3.1 SIM Card Installation.....	7
3.2 Antenna Installation.....	7
3.3 Ethernet Cable & Power Cable Installation.....	8
3.4 Power Supply.....	8
3.5 Gateway Installation.....	9
3.5.1 Wall Mounting.....	9
3.5.2 Pole Mounting.....	9
4. Login the Web GUI.....	11
4.1 Wireless Access.....	11
4.2 Wired Access.....	12
5. Network Connection.....	14
5.1 Configure the Ethernet Connection.....	14
5.2 Configure the Wi-Fi Connection.....	15
5.3 Configure the Cellular Connection.....	16
6. Packet Forwarder Configuration.....	17
7. Network Server Configuration.....	19
7.1 Connect UG67 to Milesight IoT Cloud.....	19
7.2 Connect UG67 to MQTT/HTTP Server.....	21

1. Packing List

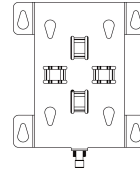
Before you begin to install the UG67 LoRaWAN® Gateway, please check the package contents to verify that you have received the items below.



1 × UG67



1 × PoE Injector



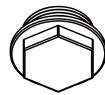
1 × Mounting Bracket



Wall Mounting Kits



1 × Cable Gland



1 × SIM Dust Cover



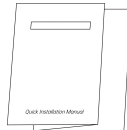
2 × Hose Clamps



1 × DC Power Cable



1 × Warranty Card



1 × Quick Start Guide



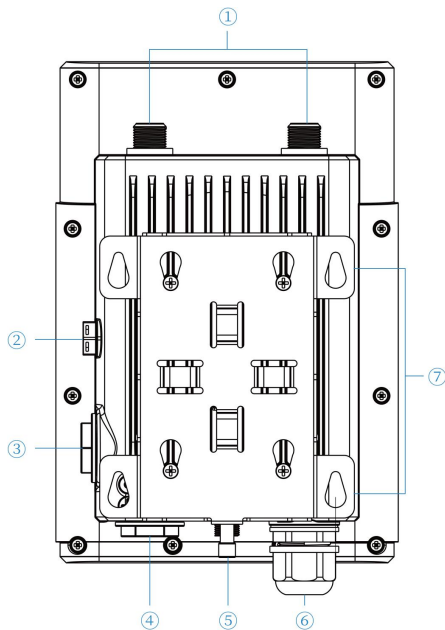
1/2 × LoRa Antenna
(Optional)



If any of the above items is missing or damaged, please contact your sales representative.

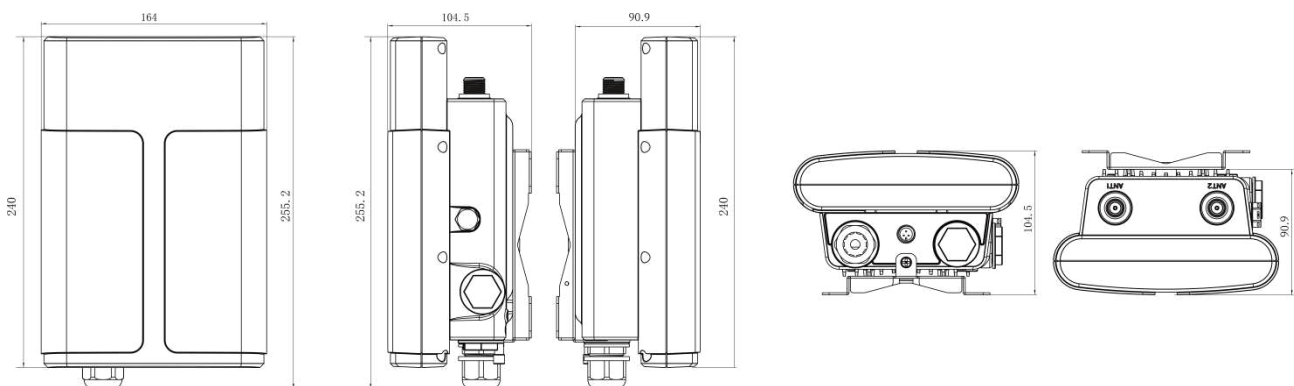
2. Hardware Introduction

2.1 Overview



- ① LoRa Antenna Connector
- ② Vent Plug
- ③ SIM Slot
- ④ LED Area & Type-C Port & Reset Button
- SYS: System Indicator
- LoRa: LoRa Indicator
- LTE: Cellular Indicator
- ⑤ DC Power Connector (Solar Connector)
- ⑥ Ethernet Port (PoE)
- ⑦ Mounting Bracket

2.2 Dimensions (mm)



2.3 LED Indicators

LED	Indication	Status	Description
SYS	System Status	Green Light	Static: the system is running properly
		Red Light	The system goes wrong
LoRa	LoRa Status	Off	Packet Forwarder mode is running off
		Green Light	Packet Forwarder mode is running well
LTE	Cellular Status	Off	SIM card is registering or fails to register (or there are no SIM cards inserted)

		Green Light	Blinking slowly: SIM card has been registered and is ready for dial-up
			Blinking rapidly: SIM card has been registered and is dialing up now
			Static: SIM card has been registered and dialed up successfully

2.4 Reset Button

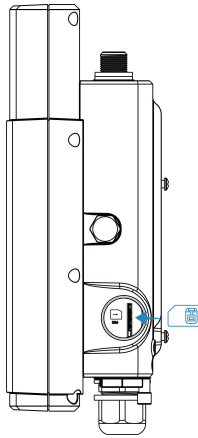
Function	Description	
	SYS LED	Action
Reset	Static Green	Press and hold the reset button for more than 5 seconds.
	Static Blue → Rapidly Blinking	Release the button and wait.
	Off → Static Green	The gateway resets to factory default.

3. Hardware Installation

3.1 SIM Card Installation

- A. Insert the SIM card into the device according to the direction icon on the device. If you need to take out the SIM card, press into the SIM card and it will pop up automatically.
- B. Tighten the SIM dust cover with wrench to prevent water into the device.

Note: UG67 does not support hot plugging (also called hot swapping). please turn off the power before you insert or take off cards.

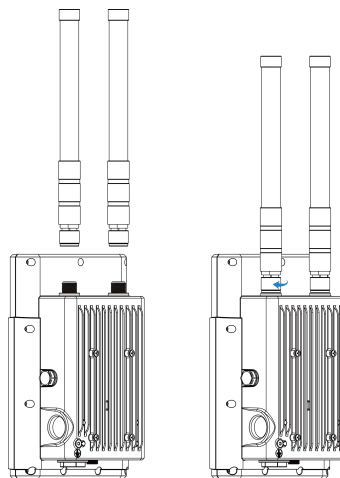


3.2 Antenna Installation

For external antenna version, rotate the antenna into the antenna connector accordingly. The external antenna should be installed vertically always on a site with a good signal.

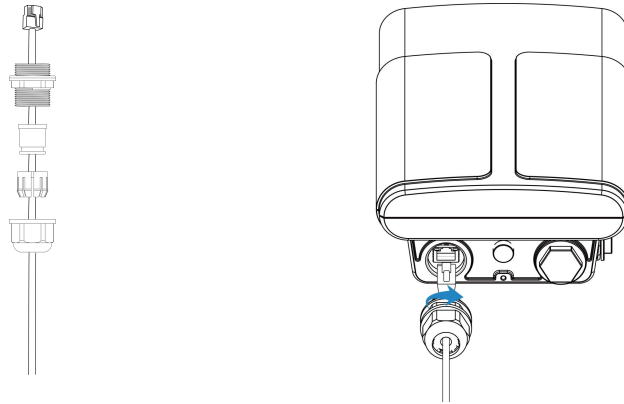
Note:

- 1) Please install LoRa antenna into ANT1 connector if there is only one external antenna.
- 2) Keep front panel away from walls if using embedded antennas.

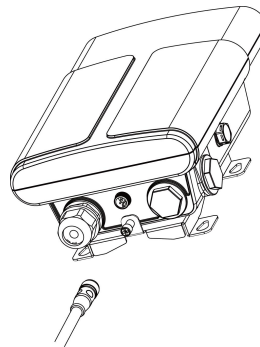


3.3 Ethernet Cable & Power Cable Installation

Pass the Ethernet cable through the cable gland and rotate the cable gland to gateway, then tighten the cable gland with wrench.

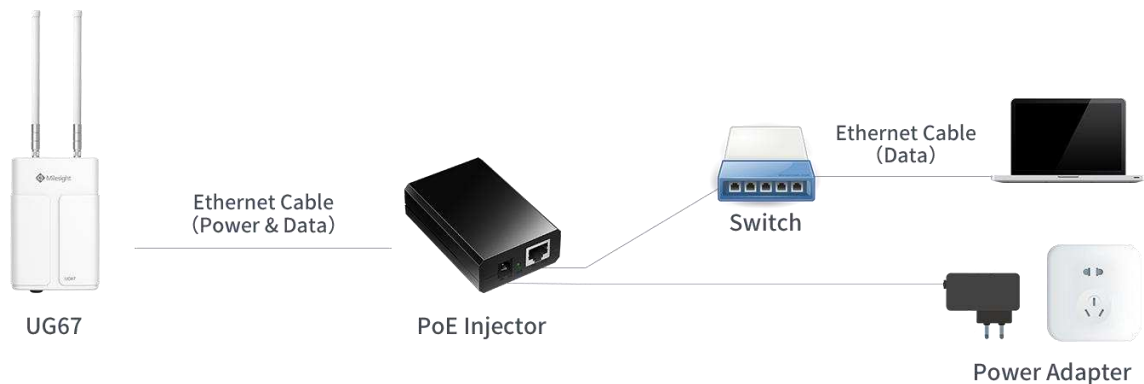


For DC or solar power supply, remove the protective cap of power connector and rotate the DC power cable into the power connector.



3.4 Power Supply

UG67 can be powered by 802.3af standard PoE injector or other PoE devices. Please follow the picture to provide power supply via PoE injector:



Note: When being connected, one end of the Ethernet cable to UG6x should be installed first, otherwise, PoE devices or gateway may be damaged.

3.5 Gateway Installation

UG67 can be mounted to a wall or a pole. Before you start, make sure that your SIM card has been inserted, your antennas have been attached and all cables have been installed.

Note: Do not connect device to power supply or other devices when installing.

3.5.1 Wall Mounting

Preparation: mounting bracket, wall plugs, wall mounting screws and other required tools.

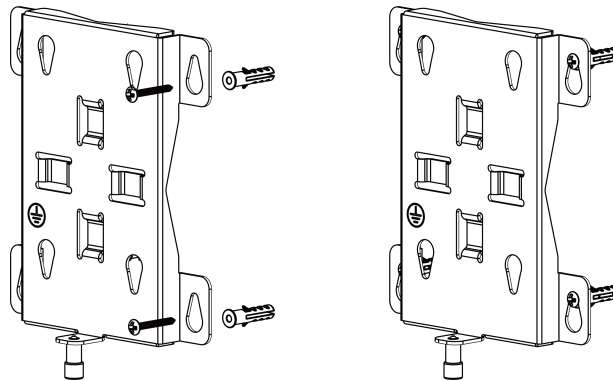
1. Align the mounting bracket horizontally to the desired position on the wall, use a marker pen to mark four mounting holes on the wall, and then remove the mounting bracket from the wall.

Note: The connecting lines of adjacent points are at right angles.

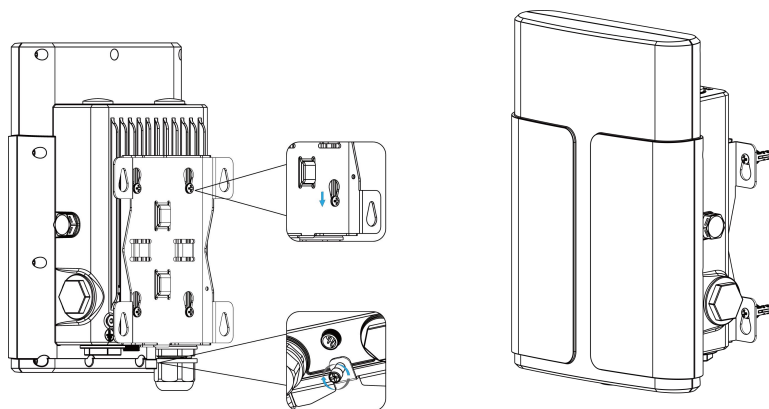
2. Drill four holes with a depth of 32 mm by using your drill with a 6 mm drill bit on the positions you marked previously on the wall.

3. Insert four wall plugs into the holes respectively.

4. Mount the mounting bracket horizontally to the wall by fixing the wall mounting screws into the wall plugs.



5. Hang the device to the mounting bracket via bracket mounting screws on the back of device.

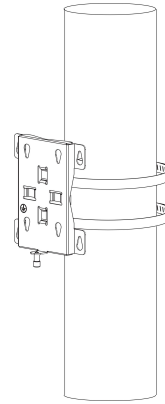
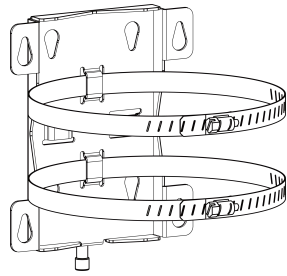


3.5.2 Pole Mounting

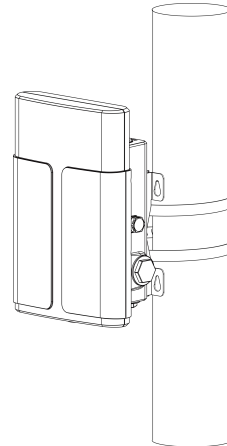
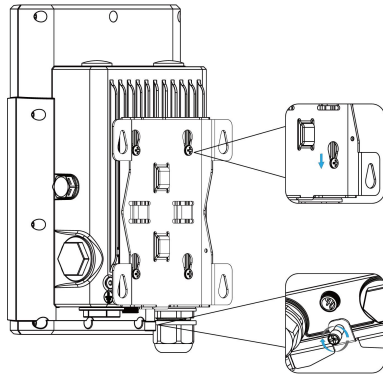
Preparation: mounting bracket, hose clamp and other required tools.

1. Loosen the hose clamp by turning the locking mechanism counter-clockwise.

2. Straighten out the hose clamp and slide it through the rectangular rings in the mounting bracket, wrap the hose clamp around the pole.



3. Use a screwdriver to tighten the locking mechanism by turning it clockwise.



4. Login the Web GUI

UG67 provides web-based configuration interface for management. If this is the first time you configure the gateway, please use the default settings below:

ETH IP Address: **192.168.23.150**

Wi-Fi IP Address: **192.168.1.1**

Wi-Fi AP: **Gateway_*******

Username: **admin**

Password: **password**

4.1 Wireless Access

A. Enable Wireless Network Connection on your computer and search for access point “Gateway_*****” to connect it.

B. Open a Web browser on your PC (Chrome is recommended) and type in the IP address 192.168.1.1 to access the web GUI.

C. Enter the username and password, click “Login”.

English



Username

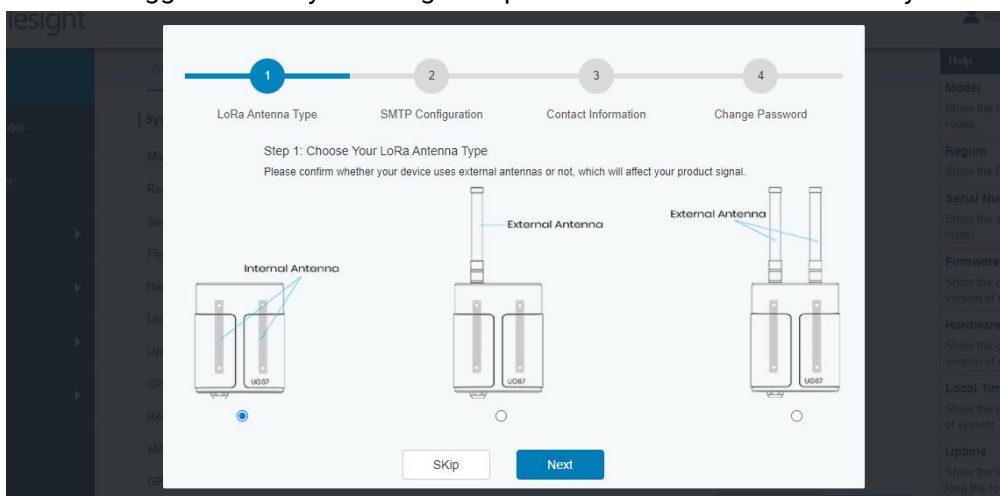
Password

Login

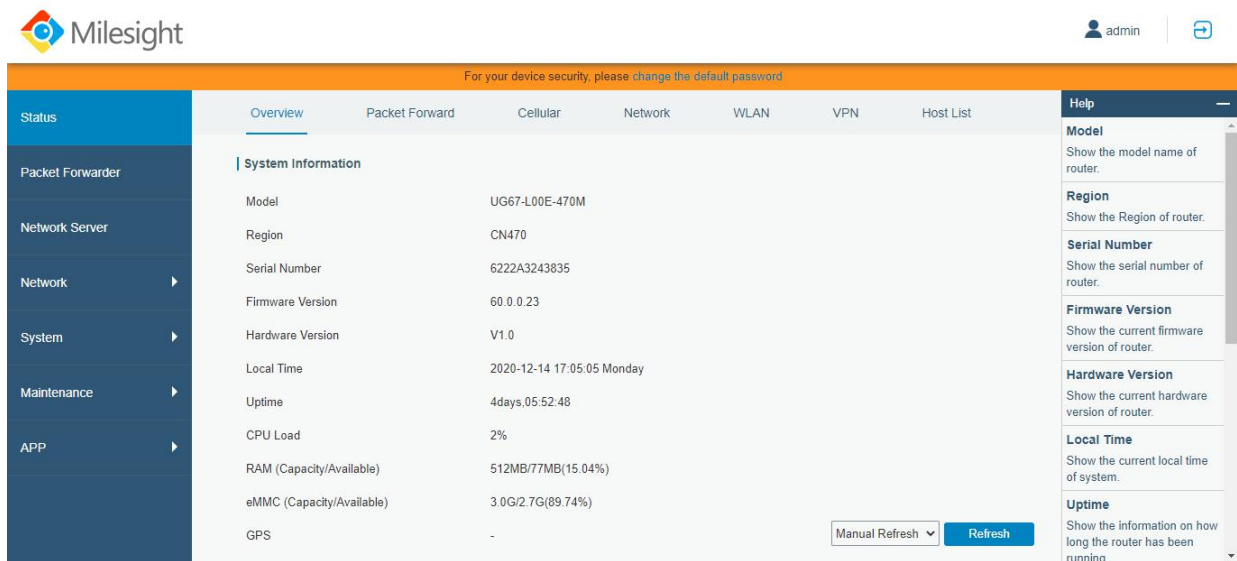


If you enter the username or password incorrectly more than 5 times, the login page will be locked for 10 minutes.

D. After logging the web GUI, follow the guide to complete the basic configurations. You can also skip the instructions. It's suggested that you change the password for the sake of security.



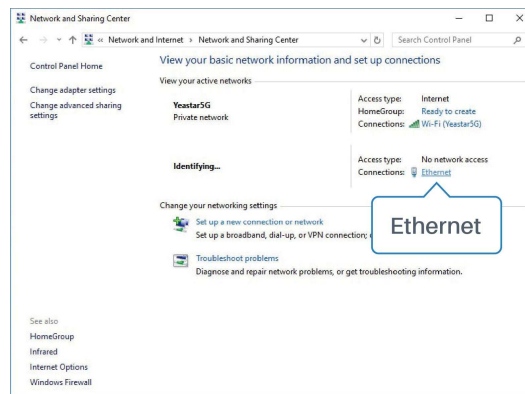
E. You can view system information and perform configuration of the gateway.



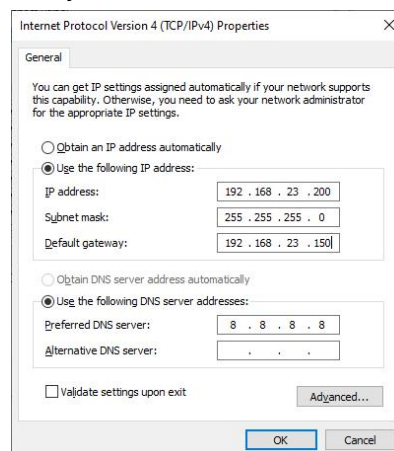
4.2 Wired Access

Connect PC to UG67 ETH port through PoE injector. The following steps are based on Windows 10 operating system for your reference.

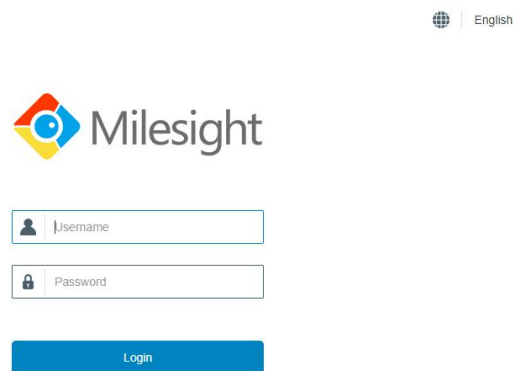
A. Go to “Control Panel” → “Network and Internet” → “Network and Sharing Center”, then click “Ethernet” (May have different names).



B. Go to “Properties” → “Internet Protocol Version 4(TCP/IPv4) ”and select “Use the following IP address”, then assign a static IP manually within the same subnet of the gateway.

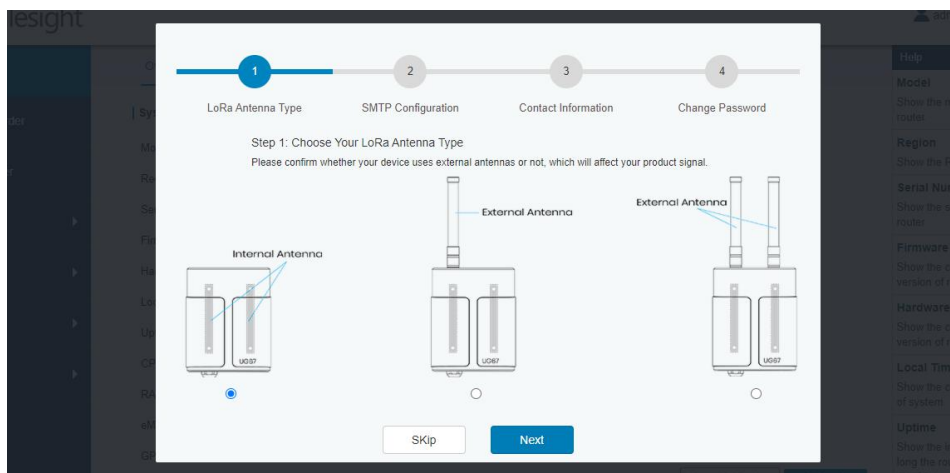


- C. Open a Web browser on your PC (Chrome is recommended) and type in the IP address 192.168.23.150 to access the web GUI.
- D. Enter the username and password, click "Login".

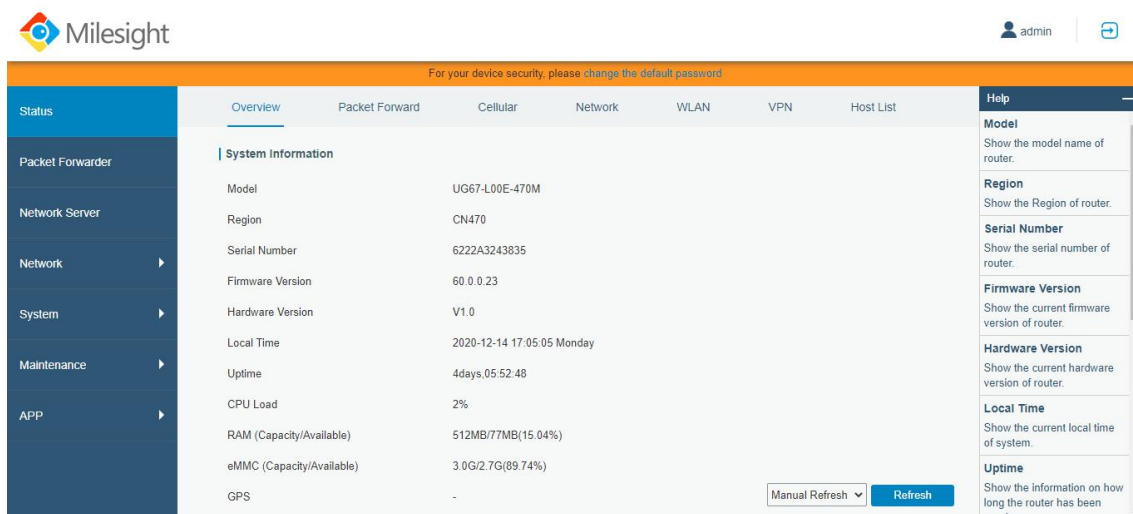


! If you enter the username or password incorrectly more than 5 times, the login page will be locked for 10 minutes.

- E. After logging the web GUI, follow the guide to complete the basic configurations. You can also skip the instructions. It's suggested that you change the password for the sake of security.



- F. After guide complete, you can view system information and perform configuration of the gateway.



5. Network Connection

This section explains how to connect the gateway to network via WAN connection, Wi-Fi or cellular.

5.1 Configure the Ethernet Connection

- Go to “Network”→ “Interface” → “Port” page to select the connection type and configure Ethernet port information.
- Click “Save & Apply” for changes to take effect.

Port WLAN Cellular Loopback

— Port_1

Enable

Port

Connection Type

IP Address

Netmask

Gateway

MTU

Primary DNS Server

Secondary DNS Server

Enable NAT

Multiple IP Address

IP Address	Netmask	Operation
		<input type="button" value="+"/>

- Connect Ethernet port of gateway to devices like router or modem.
- Log in the web GUI via the newly assigned IP address and go to “Status”→ “Network” to check Ethernet port status.

Overview Packet Forward Cellular Network WLAN VPN Host List

| WAN

Port	Status	Type	IP Address	Netmask	Gateway	DNS	Duration
eth 0	up	Static	192.168.23.64	255.255.255.0	192.168.23.1	8.8.8.8	03h 12s

5.2 Configure the Wi-Fi Connection

A. Go to “Network” → “Interface” → “WLAN” and select “Client” mode.

B. Click “Scan” to search for Wi-Fi access point. Select the available one and click “Join Network”.

SSID	Channel	Signal	Cipher	BSSID	Security	Frequency
AAA	Auto	-61dBm	AES	24:e1:24:f0:c4:13	WPA-PSK/WPA2-PSK	2412MHz

C. Type the key of Wi-Fi.

D. Go to “Status”→“WLAN” to check Wi-Fi status. If it shows “Connected”, it means gateway connects to Wi-Fi successfully.

Overview	Packet Forward	Cellular	Network	WLAN
WLAN Status				
Wireless Status		Enabled		
MAC Address		24:e1:24:f0:de:14		
Interface Type		Client		
SSID		AAA		
Channel		Auto		
Encryption Type		WPA-PSK/WPA2-PSK		
Cipher		AES		
Status		Connected		
IP Address		192.168.1.145		
Netmask		255.255.255.0		
Connection Duration		0 days, 02:44:45		

5.3 Configure the Cellular Connection

- Go to “Network” → “Interface” → “Cellular” → “Cellular Setting” page to enable cellular settings.
- Choose relevant network type and fill in SIM card information like APN or PIN code.
- Click “Save” and “Apply” for changes to take effect.

Port	WLAN	Cellular	Loopback
Cellular Setting			
Enable		<input checked="" type="checkbox"/>	
Network Type		Auto	
APN			
Username			
Password			
Access Number			
PIN Code			
Authentication Type		Auto	
Roaming		<input checked="" type="checkbox"/>	
SMS Center			
Connection Setting		<input type="checkbox"/>	
Enable NAT		<input checked="" type="checkbox"/>	


- Go to “Status” → “Cellular” page to view the status of the cellular connection. If it shows “Connected”, it means the SIM has dialed up successfully. On the other hand, you can check the status of LTE indicator. If it keeps on light statically, it means SIM has dialed up successfully.

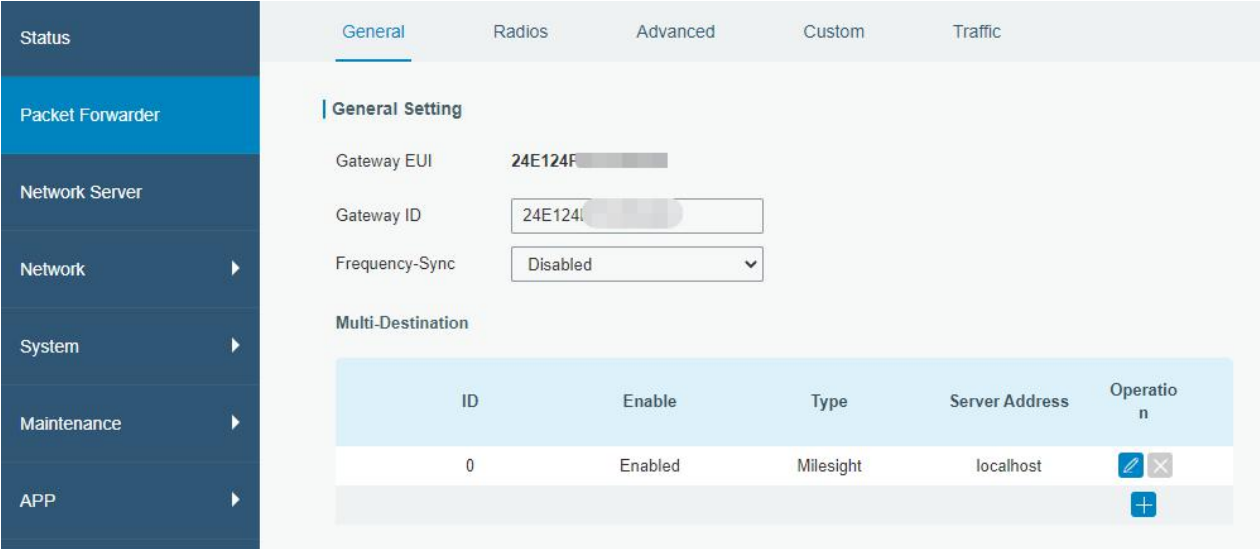
Overview	Packet Forward	Cellular	Network	WLAN
Modem				
Status		Ready		
Model		EC25		
Version		EC25ECGAR06A07M1G		
Signal Level		23asu (-67dBm)		
Register Status		Registered (Home network)		
IMEI		860425047368939		
IMSI		460019425301842		
ICCID		89860117838009934120		
ISP		CHN-UNICOM		
Network Type		LTE		
PLMN ID				
LAC		5922		
Cell ID		340db83		
Network				
Status		Connected		
IP Address		10.132.132.59		
Netmask		255.255.255.240		
Gateway		10.132.132.60		



6. Packet Forwarder Configuration

UG67 has installed multiple packet forwarders including Semtech, Chirpstack-Generic MQTT broker, etc. This section explains how to connect the gateway to network servers.

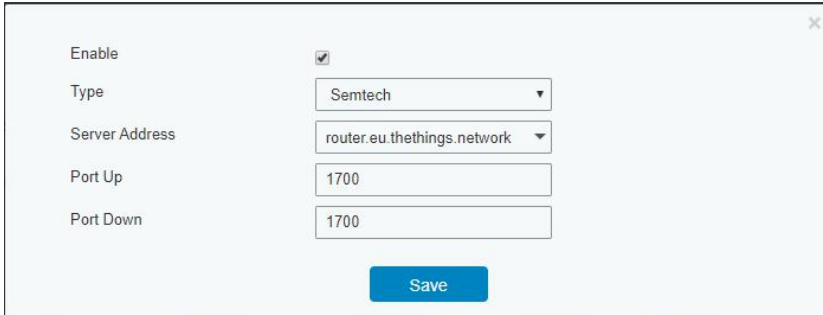
! Make sure the gateway connects to the network as shown in [Section 5](#).

A. Go to “Packet Forwarder” → “General” page and click  to add a network server.



ID	Enable	Type	Server Address	Operation
0	Enabled	Milesight	localhost	 

B. Fill in the server information and enable this server.



Enable

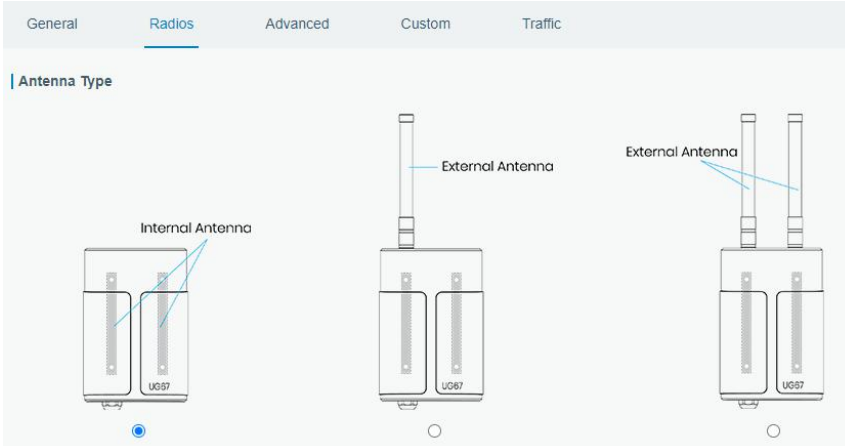
Type

Server Address

Port Up

Port Down

C. Go to “Packet Forwarder” → “Radio” page to configure antenna type, center frequency and channels. The channels of the gateway and network server need to be the same.



Antenna Type

Internal Antenna

External Antenna

External Antenna

Region: US915

Name	Center Frequency/MHz
Radio 0	<input type="text" value="904.3"/>
Radio 1	<input type="text" value="905.0"/>

Multi Channels Setting

Enable	Index	Radio	Frequency/MHz
<input checked="" type="checkbox"/>	0	Radio 0	<input type="text" value="903.9"/>
<input checked="" type="checkbox"/>	1	Radio 0	<input type="text" value="904.1"/>
<input checked="" type="checkbox"/>	2	Radio 0	<input type="text" value="904.3"/>
<input checked="" type="checkbox"/>	3	Radio 0	<input type="text" value="904.5"/>
<input checked="" type="checkbox"/>	4	Radio 1	<input type="text" value="904.7"/>
<input checked="" type="checkbox"/>	5	Radio 1	<input type="text" value="904.9"/>
<input checked="" type="checkbox"/>	6	Radio 1	<input type="text" value="905.1"/>
<input checked="" type="checkbox"/>	7	Radio 1	<input type="text" value="905.3"/>

D. Add the gateway on network server page. Take TTN for example, type and save the gateway EUI and other information when you connect it via Semtech packet forwarder. After you add the gateway, TTN will show connection status.

Gateways > Register

REGISTER GATEWAY

Gateway EUI
The EUI of the gateway as read from the LoRa module

8 bytes

I'm using the legacy packet forwarder
Select this if you are using the legacy [Semtech packet forwarder](#).

Description
A human-readable description of the gateway

Frequency Plan
The [frequency plan](#) this gateway will use

E. Go to "Traffic" page to view the data communication of UG67.

General Radios Advanced Custom **Traffic**

Traffic Setting

Rfch	Direction	Time	Ticks	Frequency	Datarate	Coderate	RSSI	SNR
1	up	11:52:38	317882157 1	865.985	SF7BW125	4/5	-91	5.0
1	up	11:52:22	316226269 2	866.585	SF7BW125	4/7	-108	-11.8
0	down	-	311888813 1	865.0625	SF7BW125	4/5	-	-
0	up	11:51:37	311788813 1	865.0625	SF7BW125	4/5	-95	-0.8

7. Network Server Configuration

UG67 can work as network server and transmit data to Milesight IoT Cloud or other platform via MQTT/HTTP/HTTPS.



Make sure the gateway connects to the network as shown in [Section 5](#).

7.1 Connect UG67 to Milesight IoT Cloud

A. Go to “Packet Forwarder” → “General” page to enable the “Milesight” type server.

The screenshot shows the configuration page for the Packet Forwarder. The left sidebar contains navigation options: Status, Packet Forwarder (selected), Network Server, Network, System, Maintenance, and APP. The main content area is titled 'General Setting' and includes the following fields:

- Gateway EUI: 24E124FFF0000000
- Gateway ID: 24E124FFF0000000
- Frequency-Sync: Disabled

Below these fields is a 'Multi-Destination' table:

ID	Enable	Type	Server Address	Operation
0	Enabled	Ursalink	localhost	Edit Delete
+				

A 'Save & Apply' button is located at the bottom of the configuration area.

B. Go to “Packet Forwarder” → “Radio” page to select the antenna type, center frequency and channels. The channels of the gateway and nodes need to be the same.

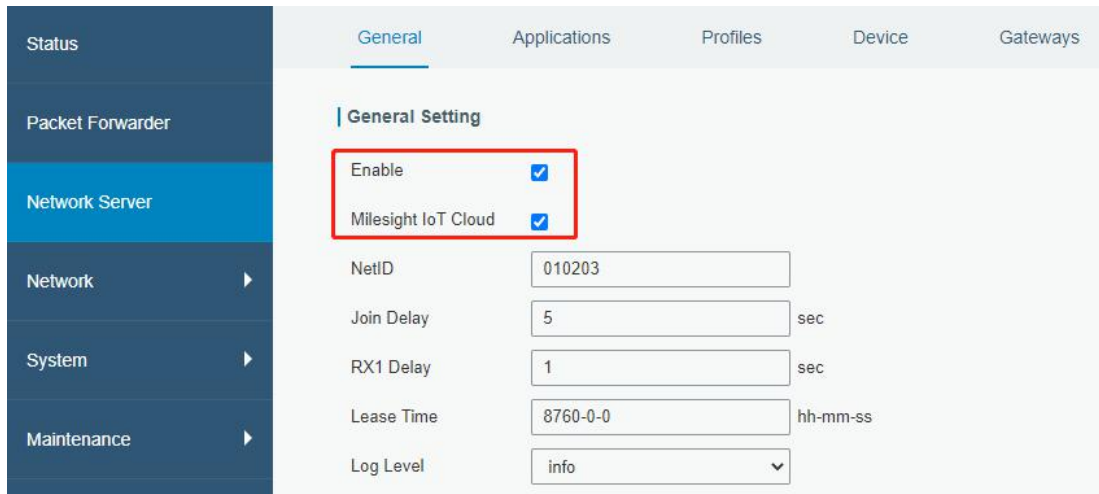
The screenshot shows the 'Radio' configuration page. At the top, the 'Region' is set to 'US915'. Below this, there are two radio configurations:

Name	Center Frequency/MHz
Radio 0	904.3
Radio 1	905.0

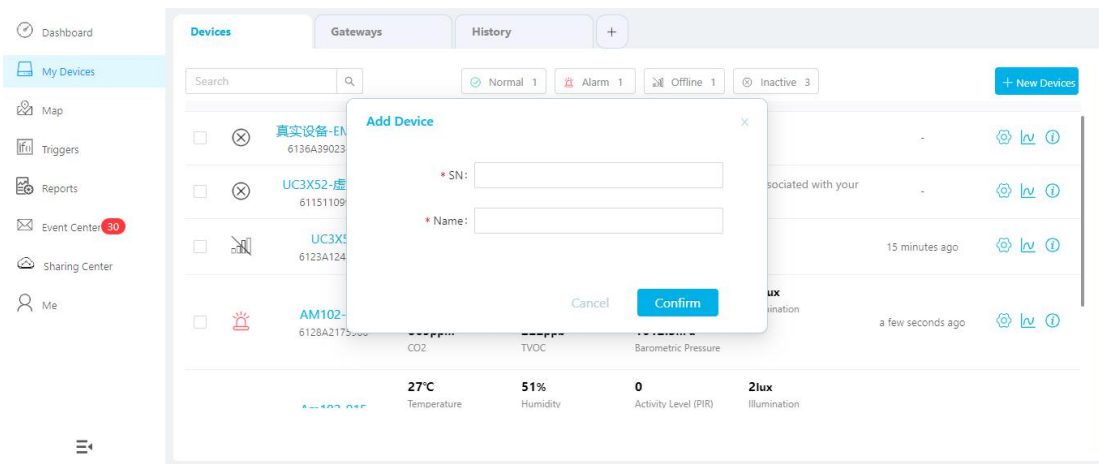
Below these is the 'Multi Channels Setting' table:

Enable	Index	Radio	Frequency/MHz
<input checked="" type="checkbox"/>	0	Radio 0	903.9
<input checked="" type="checkbox"/>	1	Radio 0	904.1
<input checked="" type="checkbox"/>	2	Radio 0	904.3
<input checked="" type="checkbox"/>	3	Radio 0	904.5
<input checked="" type="checkbox"/>	4	Radio 1	904.7
<input checked="" type="checkbox"/>	5	Radio 1	904.9
<input checked="" type="checkbox"/>	6	Radio 1	905.1
<input checked="" type="checkbox"/>	7	Radio 1	905.3

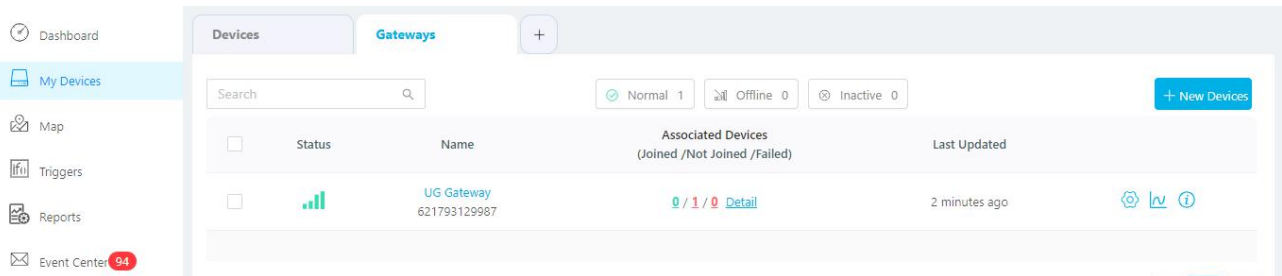
C. Go to “Network Server” → “General” page to enable the network server and “Milesight IoT Cloud” mode.



D. Log in the Milesight IoT Cloud. Then go to “My Devices” page and click “+New Devices” to add gateway to Milesight IoT Cloud via SN. Gateway will be added under “Gateways” menu.



E. The gateway is online on Milesight IoT Cloud.



7.2 Connect UG67 to MQTT/HTTP Server

A. Go to “Packet Forwarder” → “General” page to enable the “Milesight” type server.

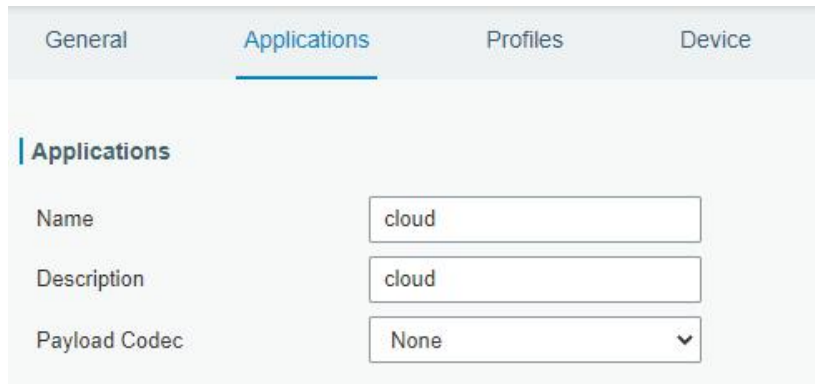
ID	Enable	Type	Server Address	Operation
0	Enabled	Ursalink	localhost	

B. Go to “Packet Forwarder” → “Radio” page to select the antenna type, center frequency and channels. The channels of the gateway and nodes need to be the same.

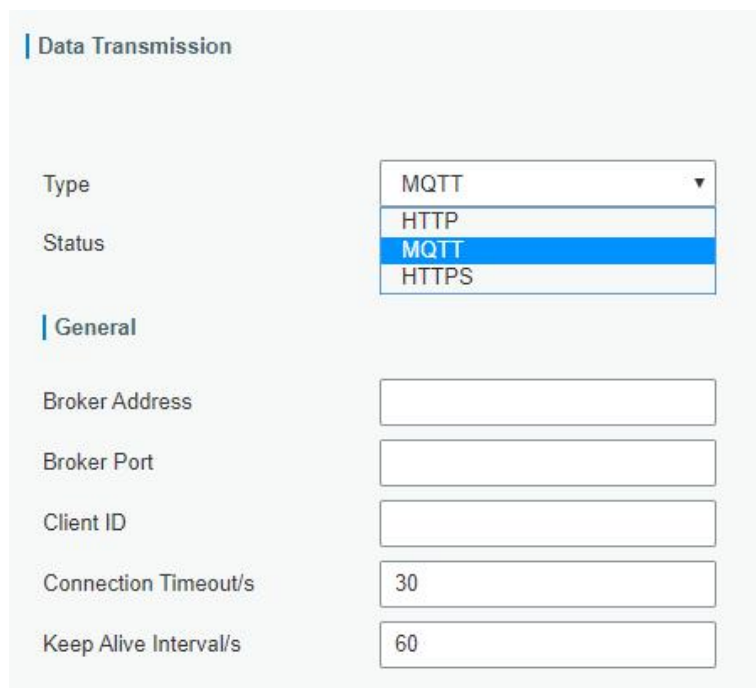
Enable	Index	Radio	Frequency/MHz
<input checked="" type="checkbox"/>	0	Radio 0	903.9
<input checked="" type="checkbox"/>	1	Radio 0	904.1
<input checked="" type="checkbox"/>	2	Radio 0	904.3
<input checked="" type="checkbox"/>	3	Radio 0	904.5
<input checked="" type="checkbox"/>	4	Radio 1	904.7
<input checked="" type="checkbox"/>	5	Radio 1	904.9
<input checked="" type="checkbox"/>	6	Radio 1	905.1
<input checked="" type="checkbox"/>	7	Radio 1	905.3

C. Go to “Network Server” → “General” page to enable the network server mode.

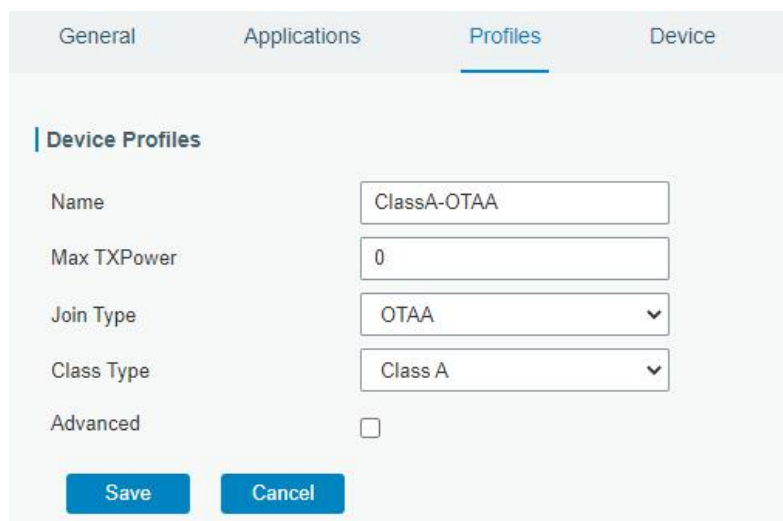
D. Go to “Network Server”→“Application” to add a new application.



After saving the application, you can select HTTP, HTTPS or MQTT protocol and fill in correspond server information to send data to another server.



E. Go to “Profiles” page to add a new profile for the device.



General	Applications	Profiles	Device	Gateways	Packets
Device Profiles					
Name	Max TXPower	Join Type	Class Type	Operation	
ClassA-ABP	0	ABP	Class A		
ClassA-OTAA	0	OTAA	Class A		
ClassC-OTAA	0	OTAA	Class C		

F. Go to "Device" page and click "Add" to add LoRaWAN® node devices.

General	Applications	Profiles	Device	Gateways	Packets	
Device						
				Search <input type="text"/>		
Device Name	Device EUI	Device-Profile	Application	Last Seen	Activated	Operation
No matching records found						

Device Name:

Description:

Device EUI:

Device-Profile:

Application:

Frame-counter Validation:

Application Key:

Device Address:

Network Session Key:

Application Session Key:

Uplink Frame-counter:

Downlink Frame-counter:

You can also click "Bulk Import" if you want to add many nodes all at once.

Import File:

Click "Template Download" to download template file and add device information to this file. Application and device profile should be the same as you created on web page.

	A	B	C	D	E	F	G	H	I
1	name	description	deveui	application	deviceprofile	appkey	devaddr	appskey	nwkskey
2	24e1242191323266		24e1242191323266	cloud	ClassC-OTAA	112233445566778899aa112233445566			
3									
4									
5									

Import this file to add bulks of devices.

F. Go to “Packets” page to check the packets from LoRaWAN® node devices. The type starts from “Up” means uplinks and “Dn” means downlinks.

Device EUID	Frequency	Datarate	SNR	RSSI	Size	Fcnt	Type	Time	Details
24e124126a146579	868300000	SF7BW125	8.5	-85	4	14	UpUnc	2020-04-28T15:09:25+08:00	!
24e124126a146579	868300000	SF7BW125	10.2	-75	4	13	UpUnc	2020-04-28T15:04:25+08:00	!

Click “Details” to check the properties and payload contents of packets.

Fcnt	14
Port	85
Modulation	LORA
Bandwidth	125
SpreadFactor	7
Bitrate	0
CodeRate	4/5
SNR	8.5
RSSI	-85
Power	-
Payload(b64)	A3cYAA==
Payload(hex)	03771800
MIC	f5acdeb2

[END]

DIREKTRONIK

Dataprodukter utöver det vanliga