

# EXPLOSION PROOF 30X IP CAMERA

142-4011



## Feature

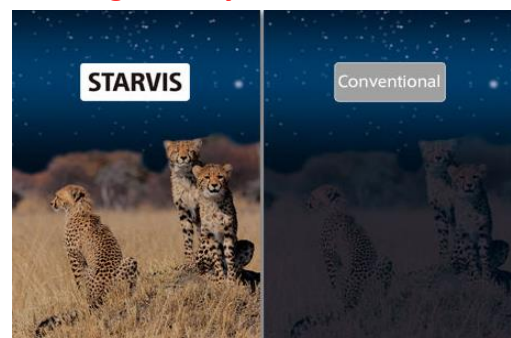
- Certified for Gas: Zones 1 and 2 IIC T6 Group  
Dust: Zones 21 and 22 IIIC T85°C Group
- Temperature range -40°C ~ 65°C
- Enclosure NEMA 4X, IP68, IP69 & IK10
- Stainless steel 316L
- Preinstalled armored cable 4M
- Star Light Sony sensor IMX307
- Built-in 30X zoom lens
- 1080P / 60fps
- True WDR
- POE support
- ONVIF compliant
- APP push video
- Compact size max: 142.25x224mm
- Made in Taiwan

Certification	Mark	Mark
Atex		II 2G Ex d IIC T6 Gb
Atex		II 2D Ex t IIIC T85°C Db
IECEX		Ex d IIC T6 Gb
IECEX		Ex t IIIC T85°C Db



Solution for hazardous area: onshore, offshore, heavy industrial, oil and gas environments

## Star Light Sony Sensor

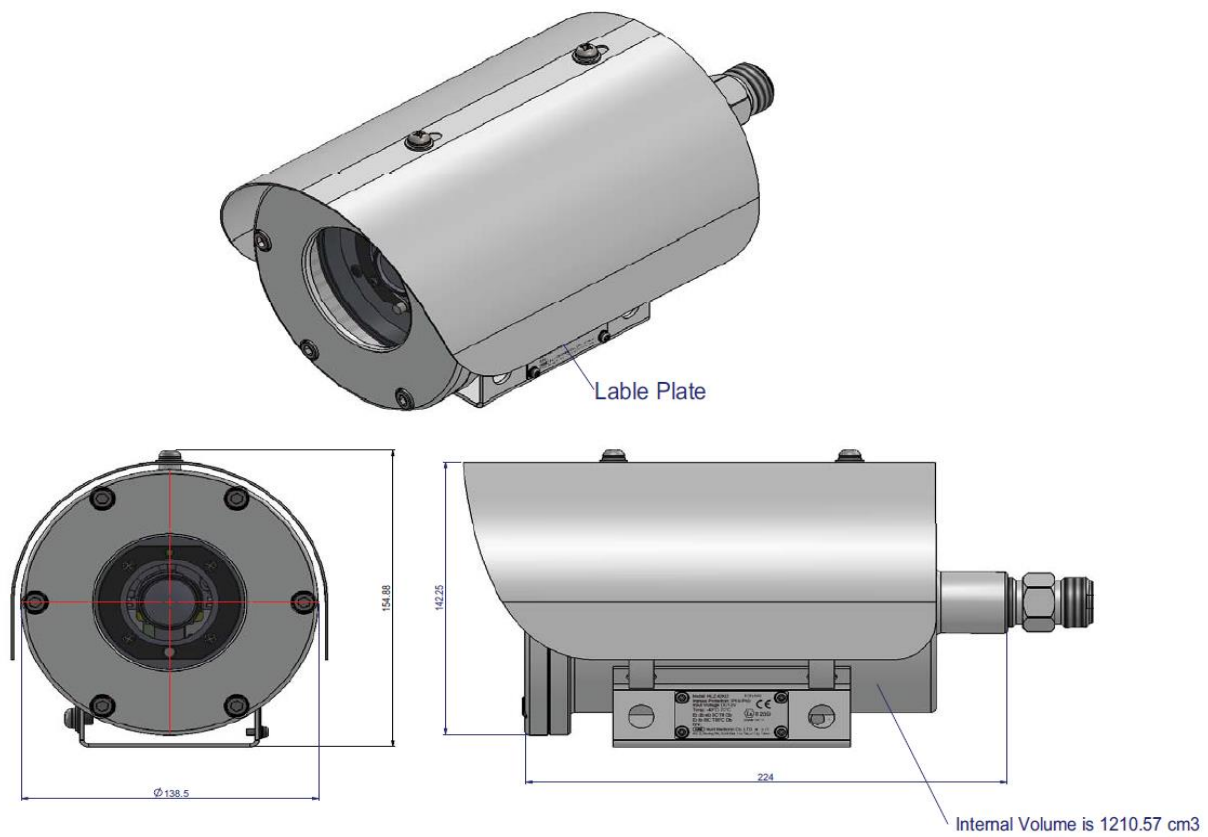


Excellent low light (STARVIS)

# Specification

Server	Compression	H.265 (H.264+) / H.264/ MJPEG
	Maximum Stream	4 simultaneous stream
	Resolution	1920x1080@30fps/60fps, 1280x720@30fps, 640x360@30fps
	RAM / Flash	512MB / 128MB
	Max. Frame Rate	(60fps)1920x1080
	Safety	Password protection, IP address filtering, HTTPS encrypted data transmission, 802.1X port-based, authentication for network protection, QoS/DSCP, ICMP
	Protocols	IPv6, IPv4, HTTP, HTTPS, SNMP, QoS/DSCP, Access list, IEEE 802.1X, RTSP, TCP/ IP, UDP, SMTP, FTP, PPPoE, DHCP, DDNS, NTP, UPnP, 3GPP, SAMBA, Bonjour, ONVIF Profile S,T,G
	Number of User	Max. 10 connections
	Storage Capacity	Micro SD card / FTP / NAS(Samba) / E-mail
	Alerting	SMTP / FTP / Samba / Micro SD / I/O
	Pre / Post Alarm	Pre(0,1,2,3,4,5) / Post(0,1,2,3,4,5,10)seconds
	Release for Alarm	Motion detection / I/O / Schedule / Tampering Detection / Sound Detection
Network Camera	Sensor	1/2.8" Sony STARVIS CMOS sensor IMX 307
	Optical Lens	Motorized lens 4.7~141mm / optical 30x zoom
	View Angle	3.9°~60°(H), 1.8°~34°(V)
	T-WDR	Yes, 120dB
	AGC	8X ~ 128X
	Shutter Time	Outdoor / Indoor / 1/1/ , 1/30 , 1/50 , 1/60 , 1/100 , 1/125 , 1/250 , 1/500 , 1/1000, 1/5000, 1/10000
	Min Illum	0.005 Lux (Color), 0.001 Lux (B/W)
	ICR	IR cut filter mechanism, day & night manual switch time control
	Intelligent Video	ROI, Smart Stream, Motion Detection, Privacy Mask, Anti Fog, Tampering Detection, Corridor Mode, Push Video , P2P(Optional)
Explosion Proof	Housing Material	AISI 316L Stainless Steel
	Certification	Atex : II 2G Ex d IIC T6 Gb II 2D Ex t IIIC T85°C Db IECEX: Ex d IIC T6 Gb Ex t IIIC T85°C Db TUV Certificate Directive 2014/34/EU - Explosion Protect Vibration SGS
Audio	Audio	2-way
	Audio Compression	G.711(64Kbps) / G.726(24Kbps) / G.726(32Kbps)
	Adjust Volume	Web adjustable
	Audio In	3.5mm phone jack(Support 2-way)
	Audio Out	3.5mm phone jack(Support 2-way)
Terminal	Network Interface	Ethernet (10Base-T/100Base-Tx) / PoE
	RS-485	Yes
	Cable Length	4M
	Alarm In/Out	1x DI / 1x DO
	SD Card	Up to 256GB Industrial Micro SD card built-in (optional) Micro SD Card (Recording trigger for schedule, Motion Detection, IP check, Network wire break down, DI)
General	Operation Voltage	DC 12V Max: TBD, PoE Max: TBD -40°C Heater on (Optional Heater): TBD
	Dimen./Weight	142.25mm(φ) x 224mm(H) / 6.8kgs
	Operation Temp.	-40°C ~ +65°C
	Enclosure Certificate	IP68, IP69K, IK10, NEMA 4X, UL2717 Cable

## Dimension



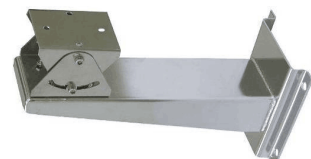
## Accessories (Option):



**A-JB01S / Junction Box**  
SUS316L, G3/4 outlet hole x 2  
260 x 160 x 230mm, 3.3kgs



**A-PP01S / Flexible Pipe**  
SUS316L  
1M



**A-WM01S / Wall Mount Bracket**  
SUS316L  
150 x 312 x 305mm, 2.1kgs



**A-PO01S / Pole Mount**  
SUS316L, Poles 4 to 6" diameter  
240 x 163 x 72mm, 1.6kgs



**A-CA01S / Concave Corner  
Mount Adaptor**  
SUS316L  
305 x 210 x 60mm, 1.1kgs



**A-CA02S / Convex Corner Mount  
Adaptor**  
SUS316L  
322 x 210 x 179mm, 2.1kgs