

# Intelligent Ultrasonic Level Meter

## 1. Brief Introduction

KUM ultrasonic level (material place, liquid level) meter, is a non-contact, high reliability, cost-effective, easy to install and maintain level measurement instruments. It does not have to contact medium and it can meet most of the requirement of level measurement.

## 2. Debugging

Due to the different installation environment of instrument, so before ultrasonic level meter works we must know the basic situation of the required, such as measurement range, zero level, full scale and application field.

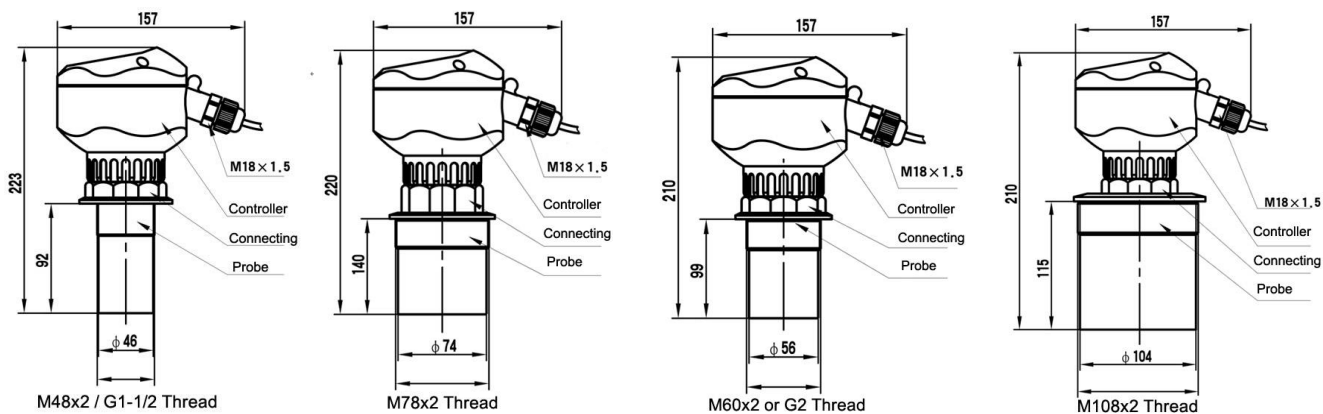
## 3. Technical data

Function	Integral type	Split type
Measurement range	5m、10m、15m、20m、30m、40m、50m、60m	5m、10m、15m、20m、30m、40m、50m、60m
Measurement accuracy	0.5%~1%	
resolution	3mm or 0.1% (The larger one is effective)	
display	Chinese and English LCD	Chinese and English LCD
Analog output	4wires4~20mA/510Ω load 2wires4~20mA/250Ω load	4~20mA/510Ω load
Relay output	2 way AC 250V/8A or DC 30V/5A, programmable (optional)	2 or 4 way AC 250V/ 8A or DC 30V/ 5A, programmable ( optional )
Power supply	24VDC(default) 220V AC±15%@50Hz 12VDC Battery	220V AC±15%@50Hz(default) 24VDC 12VDC Battery
Environment temperature	Display instrument-20~+60℃, transducer-20~+80℃	Display instrument -20~+60℃, transducer-20~+80℃
Communication port	RS485, RS232 ( optional )	
Protocol	Modbus-RTU	
Protection grade	Display instrument IP65, transducer IP68	
transducer cable	no	10m(default) Max. 100m can be ordered
Transducer installation	According to the range and transducer select	According to the range and transducer select
Probe type	There are 6 type probes now and also there are 3 types under development. Type1:PVDF Type2:aluminium alloy Type3:ABS Type4: stainless steel 316 Type5: Teflon Type6:titanium alloy We suggest the customer describe the application field in detail, such as the media type, the pressure surrounded, the temperature and humidity. Our engineer will choose you the proper probe.	

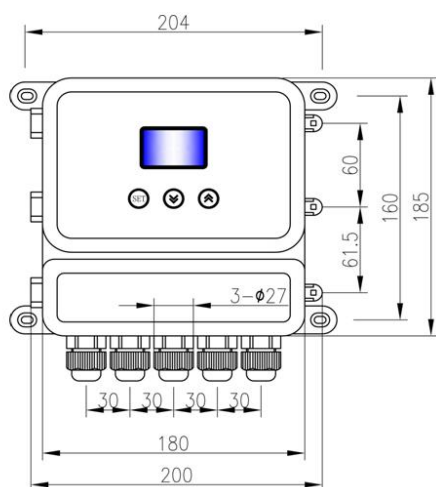
**Note:** This series of ultrasonic level meter can also customize according to the customer demands: special specifications of transducer such as high voltage, high temperature resistant, minor-caliber, small blind area and so on.

## 4. Installation dimensions:

### 4.1 Integral enhanced ultrasonic level meter: Artikel 20102108 tom 20102115



### 4.1 Split type standard ultrasonic level meter: Artikel 20102126 tom 20102133



***Integral explosion-proof ultrasonic level meter:***

