

DIREKTRONIK

DCM8500PV

User Manual / MANUAL DEL USUARIO /
Manuel d'utilisation / Benutzerhandbuch /
Manuale Utente



UK
CA

CE



3
YEARS
LIMITED
WARRANTY

- EN All New Designed Bluetooth Clamp Meter
- ES Pinza amperimétrica bluetooth con nuevo diseño
- FR Toute nouvelle pince ampèremétrique Bluetooth
- DE Ganz neu entwickeltes Bluetooth-Zangenmessgerät
- IT Una Pinza Amperometrica Bluetooth di progettazione assolutamente nuova









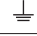



Safety Information

Understand and follow operating instructions carefully. Use the meter only as.

WARNING

- If the equipment is used in a manner not specified by the manufacturer, the protection provided by the equipment may be impaired.
- Always use proper terminals, switch position, and range for measurements.
- To reduce the risk of fire or electric shock, do not use this product around explosive gas or in damp locations.
- Verify the Meter operation by measuring a known voltage. If in doubt, have the Meter serviced.
- Do not apply more than the rated voltage, as marked on Meter, between terminals or between any terminal and earth ground.
- To avoid false readings that can lead to electric shock and injury, replace the battery as soon as low battery indicator blinks.
- Avoid working alone so assistance can be rendered.
- Do not use the Tester if the Tester is not operating properly or if it is wet.
- Individual protective device must be used if hazardous live parts in the installation where the measurement is to be carried out could be accessible.
- Disconnect the test leads from the test points before changing the position of the function rotary switch.
- Never connect a source of voltage when the function rotary switch is not in voltage position.
- When using test leads or probes, keep your fingers behind the finger guards.
- Use caution with voltages above 30 Vac rms, 42 Vac peak, or 60 Vdc. These voltages pose a shock hazard.
- Remove test lead from Meter before opening the battery door or Meter case.
- DO NOT USE the test leads when the internal white insulation layer is exposed.
- DO NOT USE the test leads above maximum ratings of CAT.
environment, voltage and current, that are indicated on the probe and the probe tip guard cap.
- DO NOT USE the test leads without the probe tip guard cap in CAT III and CAT IV environments.
- Probe assemblies to be used for MAINS measurements shall be RATED as appropriate for MEASUREMENT CATEGORY III or IV according to IEC 61010-031 and shall have a voltage RATING of at least the voltage of the circuit to be measured.
- Disconnect circuit power and discharge all high-voltage capacitors before testing resistance, continuity, diodes, or capacitance.
- De-energize the installation under test or wear suitable protective clothing during fitting and removal of the Flexible Current Probe.
- Do not apply around or remove from UNINSULATED HAZARDOUS LIVE conductors, which may render electric shock, electric burn, or arc flash.

Symbols as marked on the Meter and Instruction manual

	Risk of electric shock		See instruction manual
	DC measurement		AC measurement
	Wireless transmission		Both direct and alternating current
	Equipment protected by double or reinforced insulation		Low battery
			Earth ground
	Application around and removal from hazardous live conductors is permitted		Conforms to EU directives
			Do not discard this product or throw away.

Unsafe Voltage

To alert you to the presence of a potentially hazardous voltage, when the Tester detects a voltage ≥ 30 V or a voltage overload (OL) in V, mV, LoZ. The ⚡ symbol is displayed.

Maintenance

Do not attempt to repair this Meter. It contains no user serviceable parts. Repair or servicing should only be performed by qualified personnel.

Cleaning

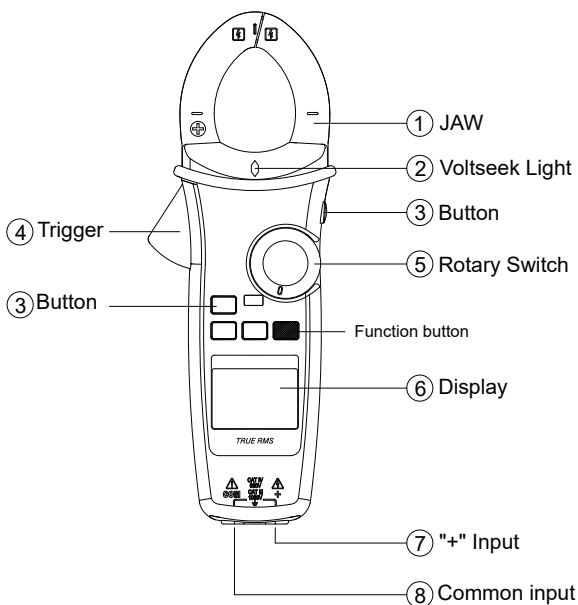
Periodically wipe the case with a dry cloth and detergent.
Do not use abrasives or solvents.

Introduction

The Meter Description

Front Panel Illustration

1. JAW
2. Volt seek Light.
3. Push-buttons.
4. Trigger.
5. Rotary switch for turn the Power On / Off and select the function.
6. 6,000 count digital display.
7. Input Terminal for Multi-function.
8. Common (Ground reference) Input Terminal.



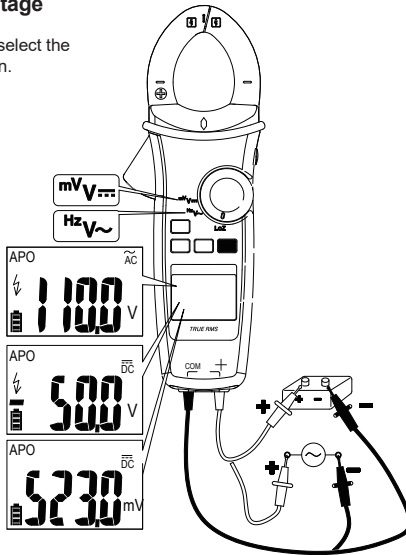
Making Basic Measurements

⚠ CAUTION

When connecting the test leads to the DUT (Device Under Test) connect the common test leads before connecting the live test leads ; when removing the test leads, remove the live test leads before removing the common test leads.

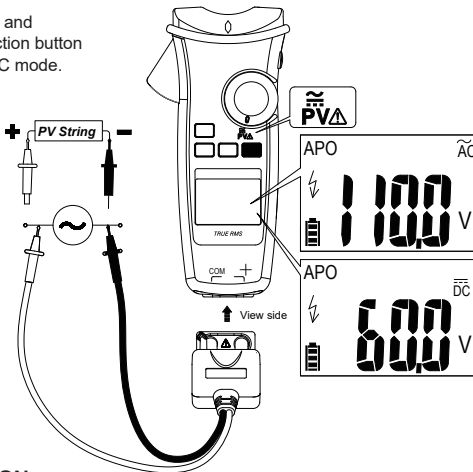
Measuring Voltage

Dial the switch to select the measuring function.



Measuring PV Voltage

Dial the switch and press the Function button to select AC/DC mode.

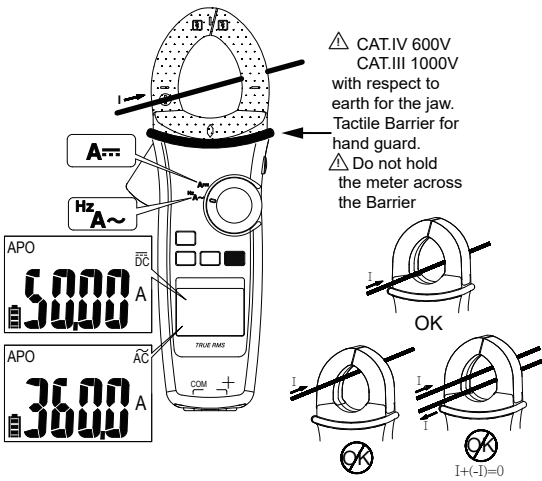


⚠ CAUTION

This function is only available with the dedicated PV test probe.

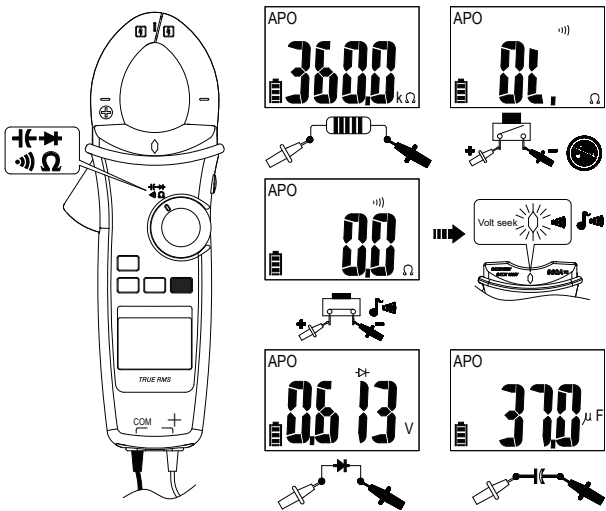
Always select correct DC / AC mode to perform high voltage measurement. This meter will flash ⚡ symbol and the correct mode symbol (AC / DC) if the input voltage is different and dangerous.

Measuring Current



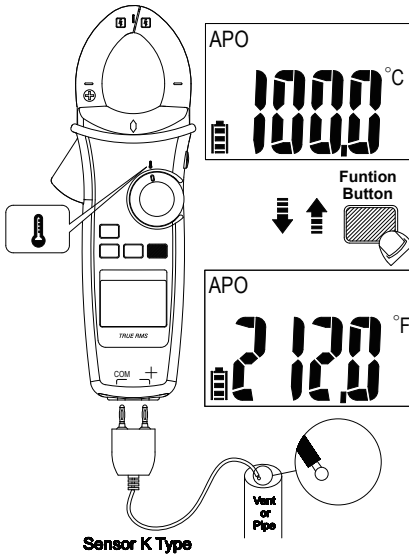
Dial the switch and press the Function button to select the measuring function.
Note : Torch will be on when jaw is opened.

Measuring Resistance/Continuity/Capacitance/Diode



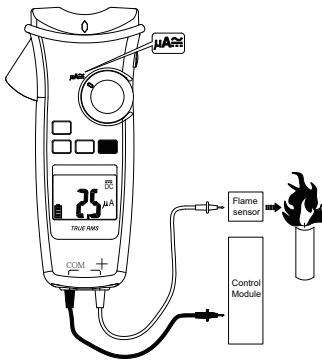
Dial the switch and press the Function button to select the measuring function.

Measuring Temperature °C / °F



Dial the switch and press the Function button to select °C / °F mode.

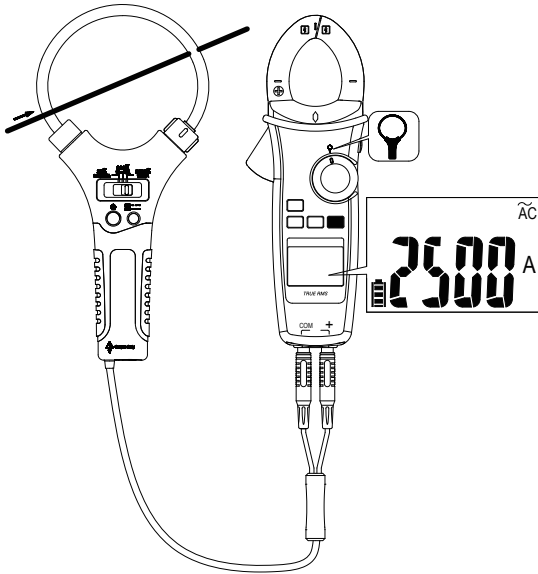
Measuring μA



Dial the switch and press the Function button to select AC/DC mode.

Measuring Current with Flex Clamp Meter

Keep the range of Flex Clamp meter at 3000A/3V output ratio.

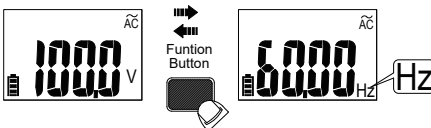


Using the Function

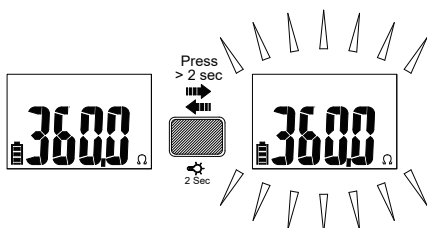
Switch Position	Function
PV	$\overline{\text{DC}} \rightarrow \tilde{\text{AC}}$
V \sim	V $\sim \rightarrow$ Hz
V $\overline{\text{}}$	V $\overline{\text{}} \rightarrow$ mV $\overline{\text{}}$
A \approx	A $\overline{\text{}} \rightarrow$ A $\sim \rightarrow$ Hz
μA	$\overline{\text{DC}} \rightarrow \tilde{\text{AC}}$
Ω	$\Omega \rightarrow$ \rightarrow \rightarrow \rightarrow
\downarrow	C \rightarrow °F

Press the Function button to change the function on the same switch position.

Measuring Frequency

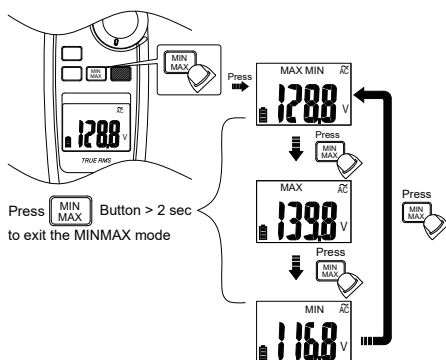


Backlight



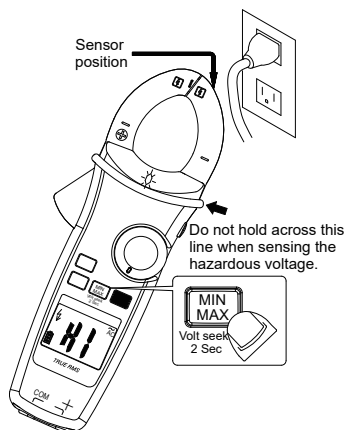
Press Function button for over 2 sec. to turn Backlight on / off.

MIN/MAX



The MAX/MIN mode records the min and max input values. When the input goes below the recorded min value or above the recorded max value, the meter records the new value. Press Hold button to pause the recording.

Volt Seek

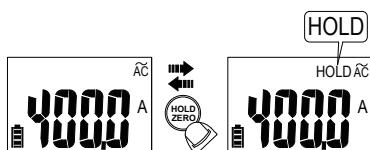


Press MIN/MAX button for over 2 sec. to enter / exit Volt Seek mode.
Press MIN/MAX button to switch high/low sensitivity.

Warning

The Volt Seek LED indicates the electric field. If the Volt Seek LED is not on, voltage could still be present.

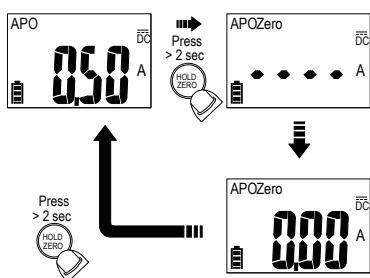
Smart Hold



The meter will beep continuously and the display will flash if the measured signal is larger than the display reading by 50 counts.
(However, it can not detect across the AC and DC Voltage / Current).

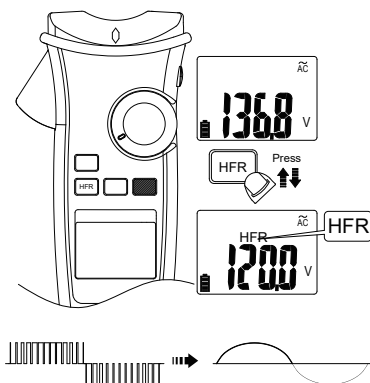
DCA ZERO

Remove the jaw from the conductor before performing DCA ZERO.
Press HOLD button for over 2sec. to compensate the residual magnetism.



High Frequency Rejection (HFR)

The High Frequency Rejection mode equip a low pass filter in the AC measurements.
The cut-off frequency (-3dB point) of low pass filter is 800Hz.

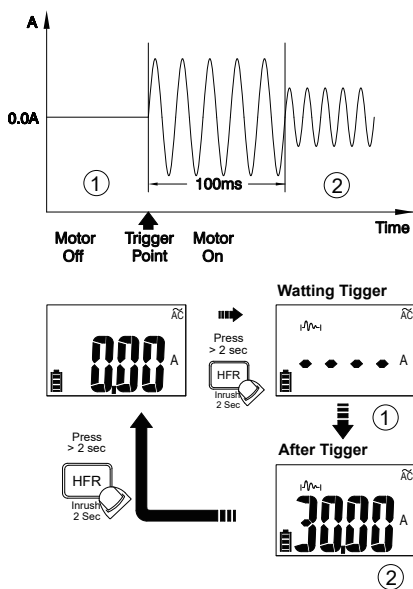


Warning

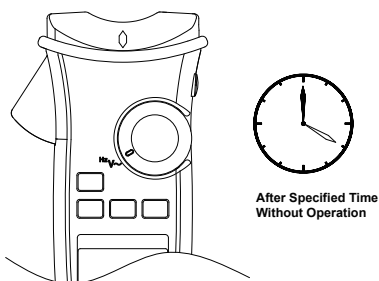
The hazardous voltage may be present even if the LCD reading is very low in HFR mode. Verify the voltage again without HFR mode

INRUSH

In inrush current mode, select the suitable measurement range by pressing HFR/INRUSH button before triggering the inrush current measurement.

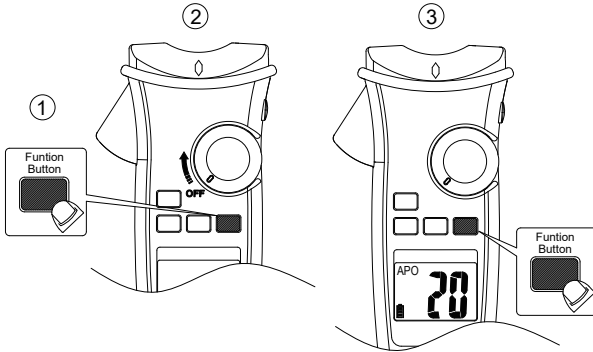


Auto Power Off



Wake up the meter by dialing the switch or pressing any button.

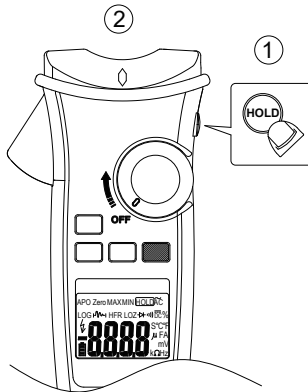
Time Setting of Auto Power Off



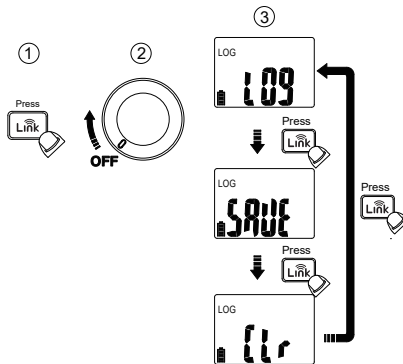
Press the function button and turn the meter on. Then press the function button to select the time. The time can be 5 minutes, 10 minutes, 20 minutes, and disabled (OFF).

Testing LCD Monitor

To turn on the meter after keeping HOLD button down.



Function of LOG Button



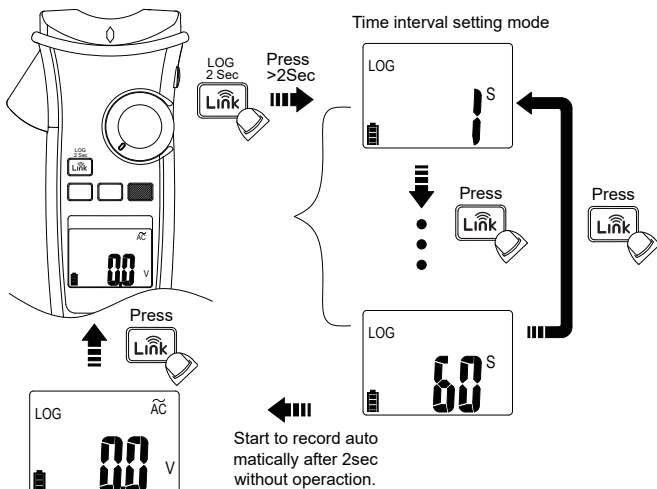
Pressing **Link** button while powering-up to select the mode – Data Logger mode, Manual Saving mode and Clear memory.

Data Logger

The meter can store up to 4000 data in memory.

Press **Link** button for more than 2 seconds to activate Data logger mode. The meter will enter Time interval setting mode.

Press **Link** button again to select time interval. The interval can be 1 second, 5 seconds, 10 seconds, 30 seconds, 60 seconds.

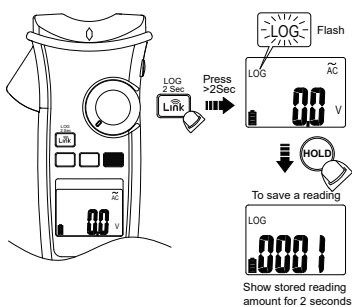


LOG icon flashes while logging

CAUTION

All stored data will be cleared next startup. Download the stored data by App first if needed.

Manual Saving Mode



CAUTION

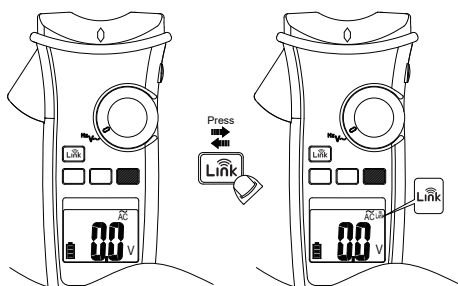
All stored data are saved until switching to data logger mode or executing the clear function.

Link

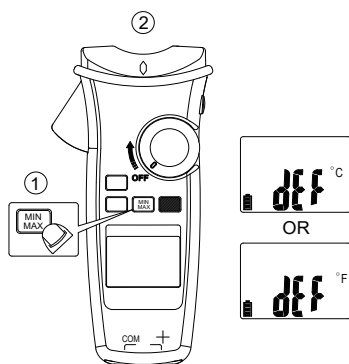
The meter uses Wireless low energy (BLE) V4.0 wireless technology to transfer the real-time reading and the stored data.

The open-air communication range is up to 10m.

Download "KPS Link" App via the following QR Code. Turn on Bluetooth function of the meter and open "KPS Link" to connect the DMM. The Bluetooth icon of the meter will freeze on LCD after the connection establishes successfully.

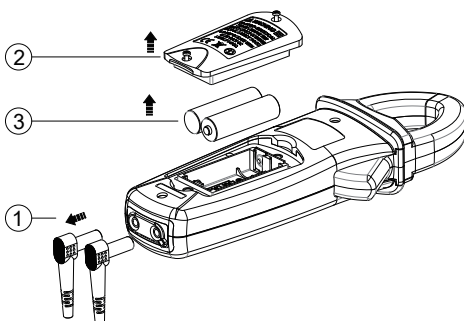


Default Temperature Units Setting



Turn on the meter after keeping MIN/MAX button down.

Low Battery and Battery Replacement



Remove test leads from Meter before opening the battery cover or Meter case.

Specifications

General Specifications

Display : 6000 counts.


Overrange Indication : "OL" or "-OL"

Measure : Samples 3 times per second .

Max Conductor Size of JAW : 37mm diameter

Dimensions (W x H x D) : 62mm x 240mm x 41mm

Weight : approx. 430g (including battery)

Low Batteries Indication : Voltage drops below operating voltage  will flash.

Power Requirement : AA Size Battery x 2 (R6, LR6, 15D, 15A)

Battery Life : 200 hours ALKALINE Battery (without Backlight)

Operating Temperature : -10 ~10°C

10°C ~ 30°C (≦80% RH),

30°C ~ 40°C (≦75% RH),

40°C ~ 50°C (≦45%RH)

Storage Temperature : -20°C to 60°C , 0 to 80% R.H. (batteries not fitted)

Altitude : 6561.7 ft (2000m)

CAT

Application field

II	The circuits directly connected to Low-voltage installation.
III	The building installation.
IV	The source of the Low-voltage installation.

Safety : EN 61010-1, EN 61010-2-032, EN 61010-2-033 for CAT III 1000V, CAT IV 600V, EN 61326-1

Drop Protection : 4 feet drop to hardwood on concrete floor

Vibration : Random Vibration per MIL-PRF-28800F Class 2

Pollution degree : 2

Indoor Use

Electrical Specifications

Accuracy is given as \pm (% of reading + counts of least significant digit) at $23^{\circ}\text{C} \pm 5^{\circ}\text{C}$, with relative humidity Less than 80% R.H., and is specified for 1 year after calibration.

(1) Temperature coefficient

$0.2 \times$ (Specified accuracy) / $^{\circ}\text{C}$, $< 18^{\circ}\text{C}$, $> 28^{\circ}\text{C}$

(2) AC Function

ACV and ACA specifications are ac coupled, true R.M.S.

The crest factor may be up to 3.0 as 4000 counts.

Accuracy is unspecified of Square Wave.

For non-sinusoidal waveforms, Additional Accuracy by

Crest Factor (C.F.) :

Add 3.0% for C.F. 1.0 ~ 2.0.

Add 5.0% for C.F. 2.0 ~ 2.5.

Add 7.0% for C.F. 2.5 ~ 3.0.

Max. Crest Factor of Input Signal:

3.0 @ 3000 counts

2.0 @ 4500 counts

1.5 @ 6000 counts

Frequency Response is specified for sine waveform.

LCD displays 0 counts when the reading < 20 counts.

(3) DC mV

Range	OL Reading	Resolution	Accuracy
600.0mV	660.0mV	0.1mV	$\pm(0.7\% + 5D)$

SIinput Impedance : $10\text{M}\Omega$

Overload Protection : AC/DC 1000V

(4) DC Voltage

Range	OL Reading	Resolution	Accuracy
600.0V	660.0V	0.1V	$\pm(0.7\% + 2D)$
1000V	1100V	1V	

SIinput Impedance : $10\text{M}\Omega$

Overload Protection : AC/DC 1000V

(5) AC Voltage

Range	OL Reading	Resolution	Accuracy
600.0V	660.0V	0.1V	$\pm(1.0\% + 5D)$
1000V	1100V	1V	

Input Impedance : $10\text{M}\Omega$ // less than 100pF

Frequency Response : 45 ~ 400Hz (Sine Wave)

Overload Protection : AC/DC 1000V

(6) PV DC Voltage

Range	OL Reading	Resolution	Accuracy
600.0V	660.0V	0.1V	$\pm(2.0\% + 5D)$
2000V	2200V	1V	

Input Impedance : $10\text{M}\Omega$

Overload Protection : AC/DC 1000V

(7) PV AC Voltage

Range	OL Reading	Resolution	Accuracy
600.0V	660.0V	0.1V	±(2.0% + 5D)
1500V	1600V	1V	

Frequency Response : 45 ~ 400Hz (Sine Wave)

Input Impedance : 10MΩ // less than 100pF

Overload Protection : AC/DC 1000V

(8) AC/DC μA

Range	OL Reading	Resolution	Accuracy
400.0μA	440.0μA	0.1μA	±(1.0% + 3D)
4000μA	4400μA	1μA	

Input Impedance : Approx. 2.2kΩ

Frequency Response : 45 ~ 400Hz (Sine Wave)

Overload Protection : AC/DC 1000V

(9) DC Current

Range	OL Reading	Resolution	Accuracy
60.00A	66.00A	0.01A	±(2.0% + 5D)
600.0A	660.0A	0.1A	

The measured value <5.0A, add 10 dgt to the accuracy.

The measured value >1000A, add 0.5% to the accuracy.

Overload Protection : AC/DC 600A

(10) AC Current

Range	OL Reading	Resolution	Accuracy
60.00A	66.00A	0.01A	±(2.0% + 5D)
600.0A	660.0A	0.1A	

Add 10 dgt to the accuracy when <5.0A.

Add 0.5% to the accuracy when >1000A.

Add 1% to the accuracy when >100Hz.

Frequency Response : (Sine Wave) 45 ~ 400Hz

Overload Protection : AC/DC 600A

(11) Flexible Current Probe

Range	OL Reading	Resolution	Accuracy
300.0A	330.0A	0.1A	±(1.5% + 5D)
3000A	3300A	1A	

Frequency Response : 45Hz to 400Hz

Accuracy does not include accuracy of the Flexible Current Probe.

Overload Protection : AC/DC 1000V

(12) Frequency

Range	OL Reading	Resolution	Accuracy
100.00Hz	100.00Hz	0.01Hz	±(0.3% + 3D)
1000.0Hz	1000.0Hz	0.1Hz	
10.000kHz	10.000kHz	0.001kHz	

Minimum Sensitivity :

> 5V (for ACV 1Hz ~ 10kHz)

> 8A (for ACA 1Hz ~ 1kHz)

Minimum Frequency : 1Hz**Overload Protection :** AC/DC 1000V and 600A**(13) HFR (High Frequency Rejection)**

Available for ACV, ACA and, Flexible Current Probe.

Add ± 4% to specified accuracy of each function and each range for 45Hz to 200Hz.

Accuracy is unspecified for > 200Hz.

Cut-off Frequency (-3dB) : 800Hz

(14) Inrush Current

Available for ACA and Flexible Current Probe.

Trigger level : ≥50d.

Add ± 3% to specified accuracy of each function and each range.

(15) Resistance

Range	OL Reading	Resolution	Accuracy
600.0Ω	660.0Ω	0.1Ω	±(0.9% + 5D)
6.000kΩ	6.600kΩ	0.001kΩ	±(0.9% + 2D)
60.00kΩ	66.00kΩ	0.00kΩ	
600.0kΩ	660.0kΩ	0.1kΩ	

To get more accuracy result, short the test probes to obtain the offset. The accuracy specification is specified for the result that the offset is subtracted.

Overload Protection : AC/DC 1000V**(16) Continuity**

Built-in buzzer sounds when measured resistance is less than 20Ω and sounds off when measured resistance is more than 200Ω, Between 20Ω to 200Ω the buzzer maybe sound or off either.

Continuity Indicator : 2.7K Tone Buzzer**Response Time of Buzzer :** < 100msec.**Overload Protection :** AC/DC 1000V**(17) Diode**

Range	OL Reading	Resolution	Accuracy
1.500V	1.550V	0.001V	±(0.9% + 2D)

Open Circuit Voltage : Approx. 1.8V**Overload Protection :** AC/DC 1000V.

(18) Capacitance

Range	OL Reading	Resolution	Accuracy
100.0 μ F	110.0 μ F	0.1 μ F	$\pm(1.9\% + 2D)$
1000 μ F	1100 μ F	1 μ F	

Overload Protection : AC/DC 1000V

(19) VoltSeek

Voltage Range of High Sensitivity : 80V ~ 1000V (At the top edge of the jaw)

Voltage Range of Low Sensitivity : 160V ~ 1000V (At the top edge of the jaw)

(20) Temperature

Range	OL Reading	Resolution	Accuracy
-40.0°C – 400.0°C	440.0°C	0.1°C	$\pm(1\% + 20D)$
-40.0°F – 752.0°F	824.0°F	0.1°F	$\pm(1\% + 36D)$

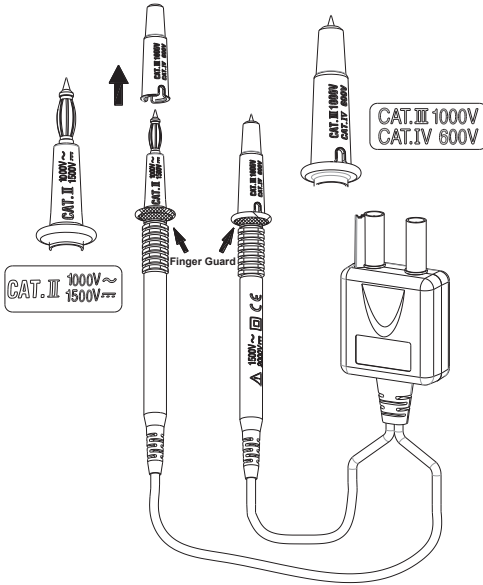
The accuracy does not include the accuracy of the thermocouple probe.

Accuracy specification assumes surrounding temperature stable to $\pm 1^\circ\text{C}$. For surrounding temperature changes of $\pm 2^\circ\text{C}$, rated accuracy applies after 2 hours.

Overload Protection : AC/DC 1000V

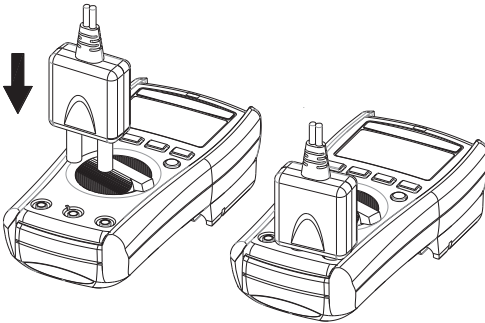
ATL-PV Test Leads Instruction

Probe tip guard cap



For CAT III or CAT IV environments, use the test leads with the probe tip guard cap fixed firmly. Without the probe tip guard cap, the test leads can be used in CAT II environment ONLY.

For 1500V AC & 2000V DC measurement, This test lead can only be used in the environment that is not connected to MAINS directly.



⚠ CAUTION

Make sure that test leads are firmly connected to the V-COM terminals of the correct instrument, and the instrument have to switch to PV mode.

CAUTION

- When using test leads or probes, keep your fingers behind the finger guards.
- Use caution with voltages above 30 Vac rms, 42 Vac peak, or 60 Vdc. These voltages pose a shock hazard.
- If the test lead is used in a manner not specified by the manufacturer, the protection provided by the equipment may be impaired.
- To reduce the risk of fire or electric shock, do not use this product around explosive gas or in damp locations.
- DO NOT USE the test leads when the internal white insulation layer is exposed.
- DO NOT USE the test leads above maximum ratings of CAT, environment, voltage and current, that are indicated on the probe and the probe tip guard cap.
- DO NOT USE the test leads without the probe tip guard cap in CAT III and CAT IV environments.
- DO NOT USE the test leads to measure over 1000V that is connected to MAINS directly.

Maintenance

Do not attempt to repair this test lead set. It contains no user-serviceable parts. Repair or servicing should only be performed by qualified personnel.

Cleaning

Clean the test lead with a water and mild detergent. DO NOT use abrasives or solvents and DO NOT IMMERSE in liquid.

Specification

Input Impedance: 10M Ω

Overvoltage Category: CAT 0 1500V AC, 2000V DC
 CAT II 1000V AC, 1500V DC
 CAT III 1000V, CAT IV 600V.

Pollution Degree 2

Exposed probe tip length : 19 mm to 4 mm (0.75 inch to 0.16 inch)

Environmental ratings : -10°C to 45°C (-4°F to 113°F), 80% R.H.









Altitude : 2000 m (6,562 ft)

Safety Standard : EN61010-031

CAT Application field

0	Circuits that are not directly connected to Mains
II	The circuits directly connected to Low-voltage installation.
III	The building installation.
IV	The source of the Low-voltage installation.

Symbols as marked on the test lead and Instruction card

	Risk of electric shock		See instruction Card
	DC measurement		AC measurement
	Earth ground		Both direct and alternating current
	Conforms to EU directives		Equipment protected by double or reinforced insulation








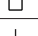
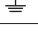



Información de seguridad

Comprenda y siga cuidadosamente las instrucciones de funcionamiento. Utilícelos solamente como se le indique.

ADVERTENCIA

- Si el equipo se utiliza de una manera no especificada por el fabricante, la protección proporcionada por el equipo puede estar deteriorado.
- Utilice siempre las terminais adecuadas, la posición del interruptor y el rango para Medidas.
- Para reducir el riesgo de incendio o descarga eléctrica, no utilice producto alrededor de gas explosivo o en lugares húmedos.
- Verifique el funcionamiento del medidor midiendo un tensión conocido. En caso de duda, que el medidor sea atendido.
- No aplique más que la tensión nominal, como se marca en Medidor, entre terminales o entre cualquier terminal y tierra.
- Para evitar lecturas falsas que pueden provocar descargas eléctricas y lesión, reemplace las pilas tan pronto como parpadee el indicador de pila baja.
- Evite trabajar solo para que se pueda prestar asistencia.
- No utilice el probador si el probador no funciona correctamente o si está mojado.
- Se debe utilizar un dispositivo de protección individual si partes de la instalación donde se va a llevar la medición fuera podría ser accesible.
- Desconecte los cables de prueba de los puntos de prueba antes de cambiar la posición del interruptor giratorio de la función.
- Nunca conecte una fuente de tensión cuando la función giratoria interruptor no está en posición de tensión.
- Cuando utilice cables de prueba o sondas, mantenga los dedos detrás los guardias de los dedos.
- Tenga cuidado con las tensiones superiores a 30 Vac rms, pico de 42 VCA o 60 Vdc. Estas tensiones representan un peligro de choque.
- Retire el cable de prueba de Meter antes de abrir la puerta de las pilas o caso del medidor.
- NO UTILICE los cables de prueba cuando la capa de aislamiento blanco interno está expuesta.
- NO UTILICE los cables de prueba por encima de las clasificaciones máximas de CAT. de ambiente, tensión y corriente, según se indican en la sonda y la tapa del protector de la punta de la sonda.
- NO UTILICE los cables de prueba sin la tapa del protector de la punta de la sonda en los entornos CAT III y CAT IV.
- Los conjuntos de sondas que se utilizarán para mediciones MAINS se clasificarán según proceda para la MEDICIÓN CATEGORÍA III o IV según IEC 61010-031 y tendrán una clasificación de tensión de al menos la tensión del circuito a medir.
- Desconecte la potencia del circuito y descargue todos los capacitores de alta tensión antes de probar resistencia, continuidad, diodos o capacitancia.
- Desactive la instalación bajo prueba o use ropa protectora adecuada durante el montaje y la eliminación de la sonda flexible de corriente.
- No aplicar alrededor o quitar de los conductores PELIGROSOS LIVE NO INAPULADOS, que pueden hacer que la descarga eléctrica, la combustión eléctrica o el arco parpadee.

Símbolos marcados en el manual de medidores e instrucciones

	Riesgo de descarga eléctrica		Consulte el manual de instrucciones
	Medición CC		Medición CA
	Bluetooth		Corriente directa y alterna
	Equipos protegidos por aislamiento doble o reforzado		Pila baja
			Tierra
	Se permite la aplicación y eliminación de conductores vivos peligrosos		Se ajusta a las directivas de la UE
			No deseche ni tire este producto.

Tensión insegura

Para alertarle de la presencia de una tensión potencialmente peligrosa, cuando el Probador detecta una tensión ≥ 30 V o una sobrecarga de tensión (OL) en V, mV, FV. Se muestra el símbolo ⚡.

Mantenimiento

No intente reparar este medidor. No contiene piezas de servicio de usuario. La reparación o el servicio solo deben ser realizados por personal cualificado.

Limpieza

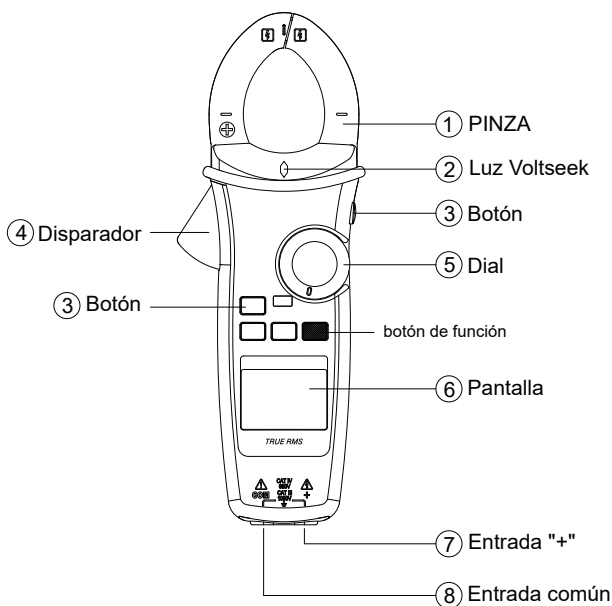
Limpie periódicamente la caja con un paño seco y detergente. No utilice abrasivos ni disolventes.

Introducción

La descripción del medidor

Ilustración del panel frontal

1. Pinza
2. Volt busca luz.
3. Pulsadores.
4. Disparador.
5. Dial para encender / apagar y seleccionar función.
6. Pantalla digital de 6,000 unidades.
7. Terminal de entrada para multifunción.
8. Terminal de entrada común (referencia a tierra).



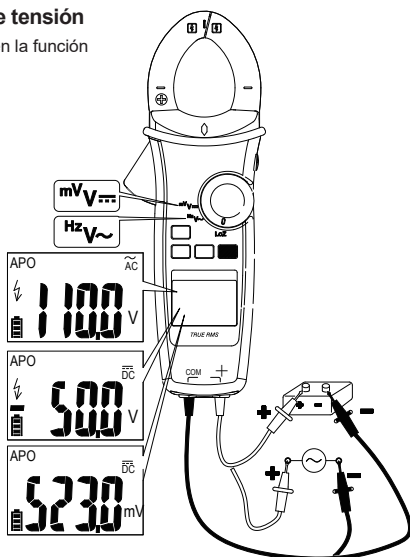
Hacer mediciones básicas

PRECAUCIÓN


Al conectar las puntas de prueba al dispositivo a prueba (DAP), conecte la punta de prueba común antes de conectar la fase. Al quitar las puntas de prueba, retire la fase de prueba antes de quitar la punta de prueba común.

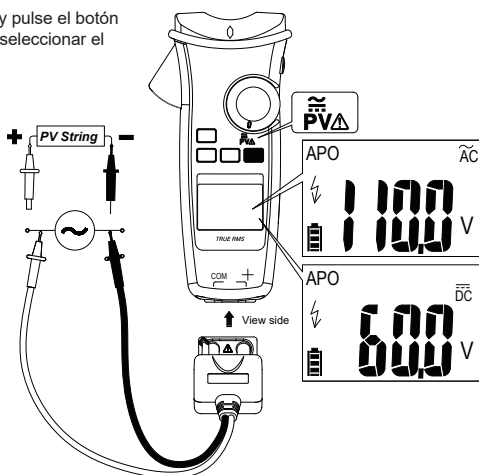
Medición de tensión

Ponga el dial en la función de medición.



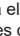
Medición de la tensión fotovoltaica

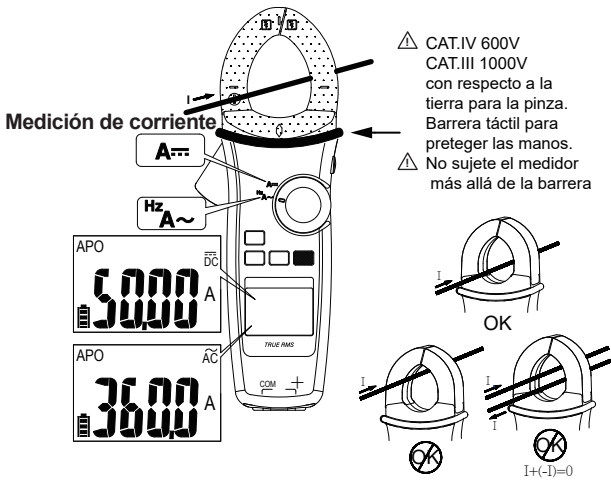
Ponga el dial y pulse el botón  para seleccionar el modo CA/CC.



PRECAUCIÓN

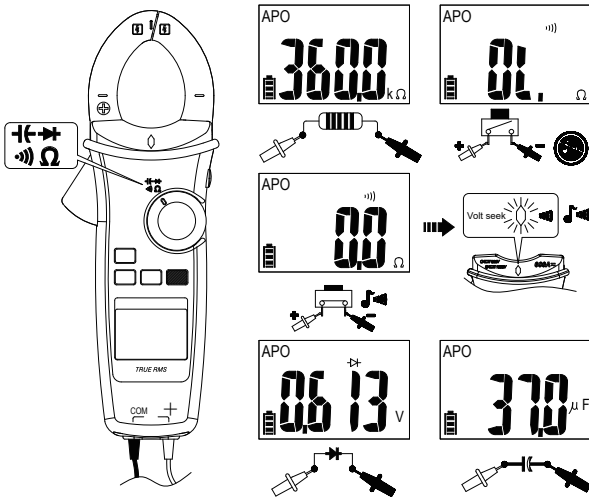
Esta función solo está disponible con la sonda de prueba FV individual

Seleccione siempre el modo de CC/CA correcto para realizar la medición de alta tensión. Parpadeará el símbolo  y el símbolo de modo correcto (CA / CC) si la tensión de entrada es diferente y peligrosa.



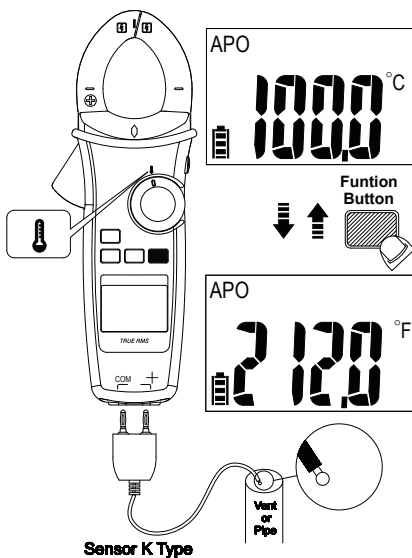
Ponga el dial y pulse el botón Función para seleccionar la función de medición.
Nota : La linterna se enciende cuando se abre la pinza.

Medición de resistencia / continuidad / capacitancia / diodo

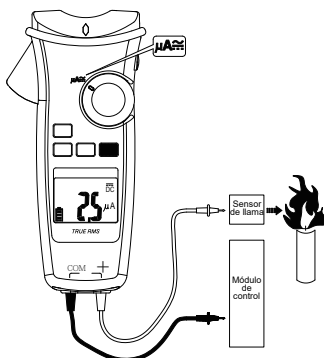


Ponga el dial y pulse el botón Función para seleccionar la función de medición.

Temperatura de medición °C / °F



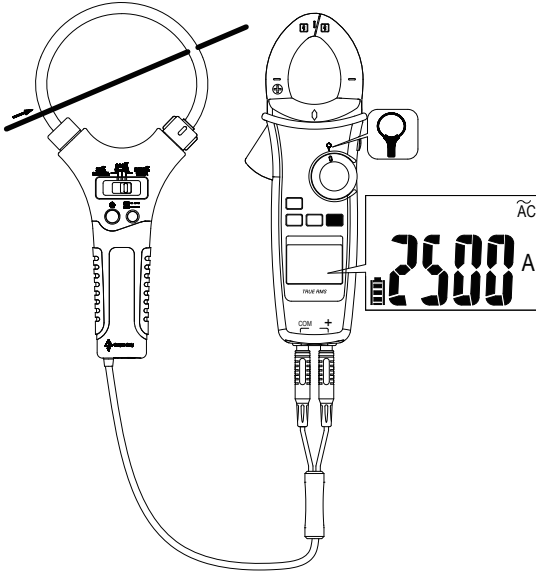
Ponga el dial y pulse el botón Función para seleccionar el modo °C / °F.

Medición del μA 

Ponga el dial y pulse el botón Función para seleccionar el modo CA/CC.

Corriente de medición con medidor de abrazadera flex

Mantenga el rango del medidor de abrazadera una relación de salida de 3000A/3V.

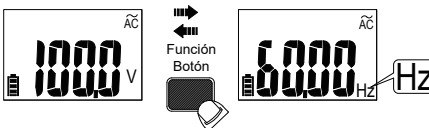


Uso de la función

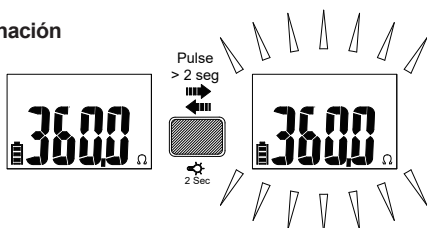
Posición del interruptor	Función
PV	$\overline{DC} \rightarrow \tilde{AC}$
V~	$V\sim \rightarrow Hz$
V \overline{DC}	$V\overline{DC} \rightarrow mV\overline{DC}$
A \overline{DC}	$A\overline{DC} \rightarrow A\sim \rightarrow Hz$
μA	$\overline{DC} \rightarrow \tilde{AC}$
Ω	$\Omega \rightarrow \rightarrow \rightarrow \rightarrow$
\downarrow	$C \rightarrow ^\circ F$

Pulse el botón Función para cambiar la función en la misma posición del interruptor.

Frecuencia de medición

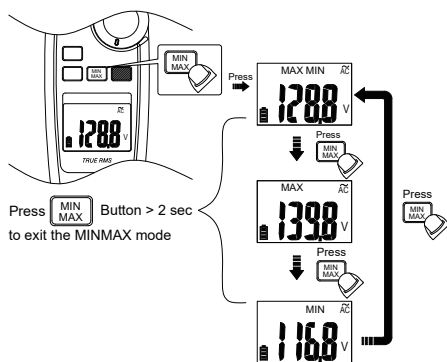


Retroiluminación



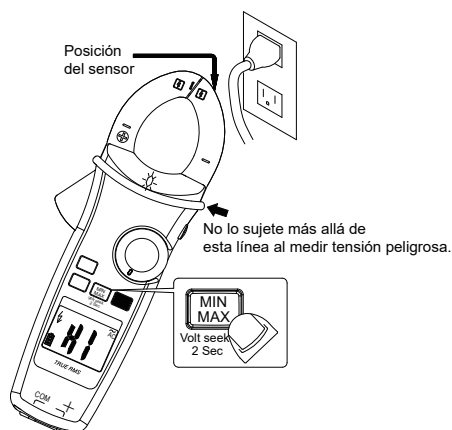
Pulse el botón Función durante más de 2 s. para encender / apagar la retroiluminación.

MIN / MAX



El modo MÁX/MÍN registra los valores de entrada mín. y máx.. Cuando la entrada va por debajo del valor mínimo registrado o por encima del valor máximo registrado, el medidor registra el nuevo valor. Pulse el botón Mantener para pausar la grabación.

VoltSeek

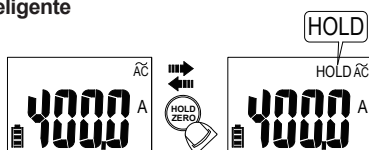


Pulse el botón MÁX/MÍN durante más de 2 s para entrar/salir del modo Buscar Voltios. Pulse el botón MÁX/MÍN para cambiar a sensibilidad alta/baja.

⚠ Advertencia

El LED de VoltSeek indica si hay campo eléctrico. Podría haber tensión incluso con el LED VoltSeek apagado.

Retención inteligente

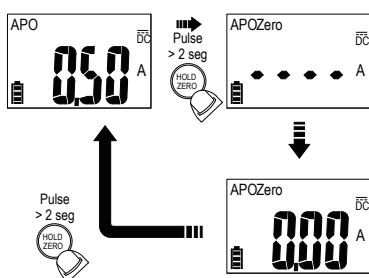


El medidor pitará continuamente y la pantalla parpadeará si la señal medida es mayor de 50 unidades que la leída. (Sin embargo, no puede detectar a través de la tensión/corriente CA y CC).

DCA ZERO

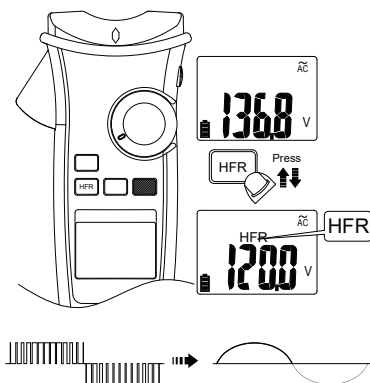
Retire la pinza del conductor antes de medir DAC CERO.

Pulse el botón RETENER durante más de 2 segundos para compensar el magnetismo residual.



Rechazo de alta frecuencia (HFR)

El modo de rechazo de alta frecuencia pone un filtro de paso bajo en las mediciones CA. La frecuencia de corte (-3dB) del filtro de paso bajo es de 800Hz.

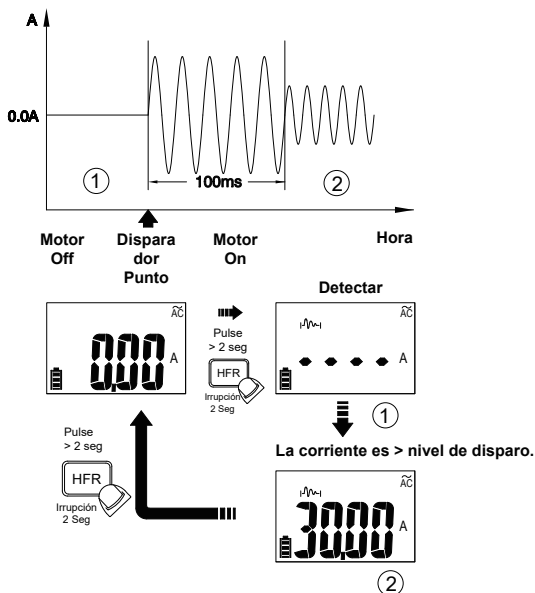


Advertencia

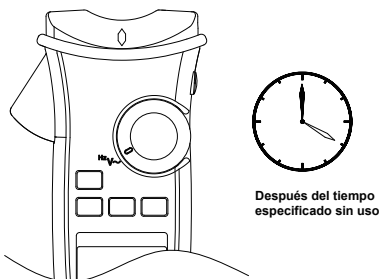
Puede haber tensión peligrosa incluso si la lectura es muy baja en modo HFR. Verifique la tensión de nuevo sin el modo HFR.

CORRIENTE DE IRRUPCIÓN

En el modo de corriente de irrupción, seleccione el rango de medición adecuado pulsando el botón HFR/INRUSH antes de activar la medición de corriente de irrupción.

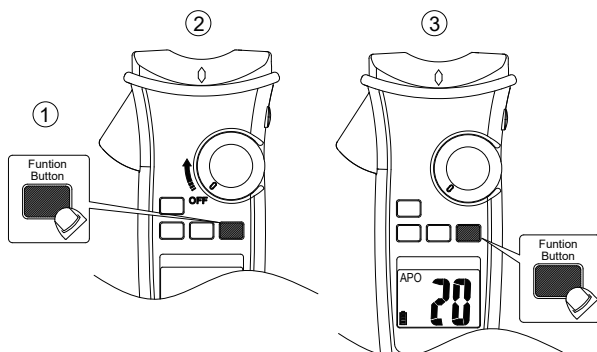


Apagado automático



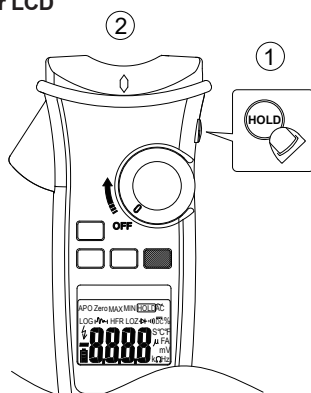
Despierte el medidor moviendo el dial o pulsando cualquier botón.

Ajuste de apagado automático



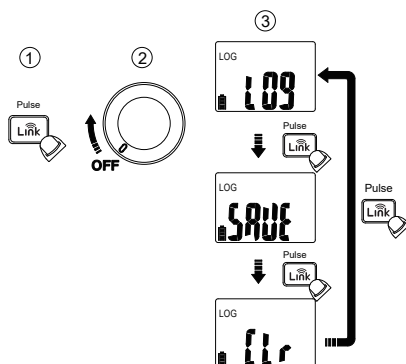
Pulse el botón de función y encienda el medidor. A continuación, pulse el botón de función para seleccionar la hora. El temporizador puede ser de 5 minutos, 10 minutos, 20 minutos y deshabilitado (OFF).

Prueba de monitor LCD



Para encender el medidor después de mantener pulsado el botón RETENER.

Función del botón LOG



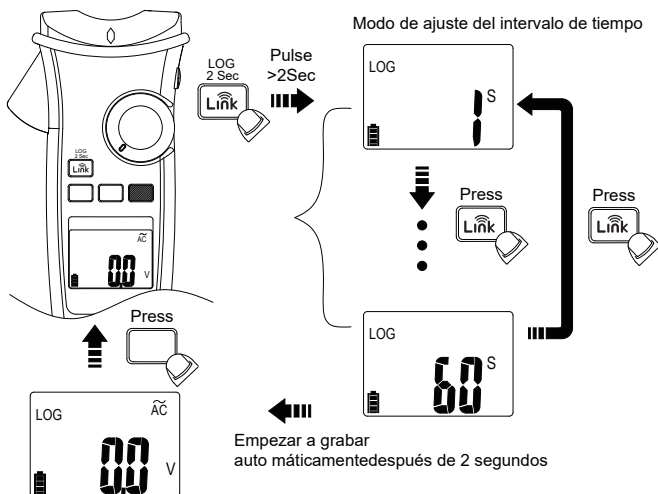
Pulsando el botón **Link** mientras se enciende para seleccionar - Modo Registrador, Modo de Guardado Manual y Borrar Memoria.

Registrador de datos

El medidor puede almacenar hasta 4000 datos en la memoria.

Pulse el botón **Link** durante más de 2 segundos para activar el modo registrador de datos. El medidor entrará en modo de ajuste de intervalo de tiempo. Pulse de nuevo el botón **Link** para seleccionar el intervalo de tiempo.

El intervalo puede ser de 1 segundo, 5 segundos, 10 segundos, 30 segundos y 60 segundos.

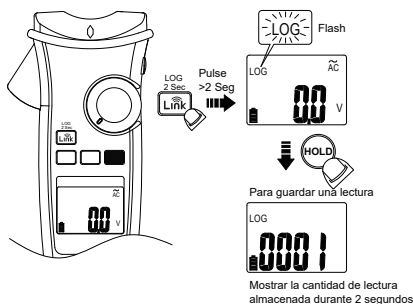


El icono LOG parpadea durante el registro

⚠ Precaución

Se borrarán todos los datos almacenados con el siguiente encendido. Descargue primero los datos almacenados a la aplicación si es necesario.

Modo de guardado manual



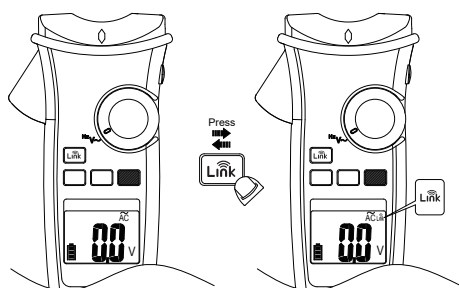
⚠ Precaución

Todos los datos almacenados se guardan hasta cambiar al modo de registrador de datos o ejecutar la función borrar.

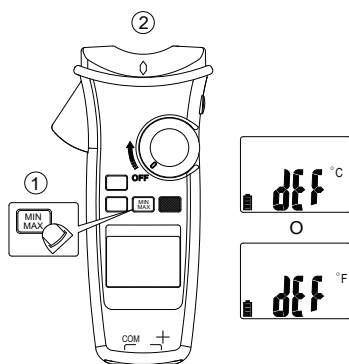
Liñk

El medidor utiliza la tecnología inalámbrica Bluetooth de baja energía (BLE) V4,0 para transferir la lectura en tiempo real y los datos almacenados. El rango de comunicación al aire libre es de hasta 10m.

Descargue la aplicación "KPS Link" a través del siguiente código QR. Active la función Bluetooth del medidor y abra "KPS Link" para conectar el DMM. El icono bluetooth del medidor se congelará en la pantalla LCD después de que la conexión se haya establecido correctamente.



Ajuste predeterminado de las unidades de temperatura

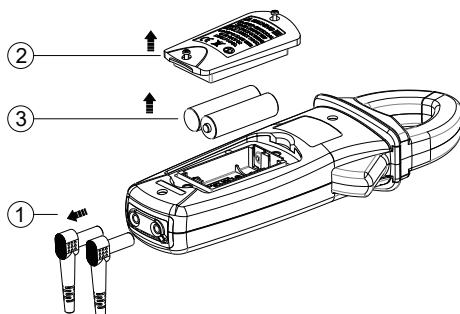


Encienda el medidor después de mantener pulsado el botón MÁX/MÍN.

Pilas bajas y reemplazo de pilas

Reemplace las pilas tan pronto como aparezca el indicador de pilas bajas, para evitar lecturas erróneas.

Consulte la siguiente figura para reemplazar las pilas



PRECAUCIÓN

Retire el cable de prueba del medidor antes de abrir la tapa de la pila o la carcasa del medidor.

Especificaciones

Especificaciones generales

Monitor : 6000 unidades.

Indicación de rango excesivo : "OL" o "-OL"

Mediciones : 3 muestras veces por segundo.

Tamaño máximo del conductor de la pinza : Diámetro de 37 mm

Dimensiones (Al x An x P) : 62mm x 240mm x 41mm

Peso : aprox. 430g (incluidas las pilas)

Indicación de pilas :

Si la tensión cae por debajo de la tensión de funcionamiento parpadeará.

Requisito de alimentación : Pila de tamaño AA x 2 (R6, LR6, 15D, 15A)

Duración de las pilas : Pila ALCALINA de 200 horas para pila ALCALINA (sin retroiluminación)

Temperatura de funcionamiento: -10 ~ 10 °C

10°C ~ 30°C (≅80% RH),

30°C ~ 40°C (≅75% RH),

40°C ~ 50°C (≅45%RH)

Temperatura de almacenamiento :

-20°C a 60°C , 0 a 80% R.H. (pilas no instaladas)

Altitud : 2000m pies (6561,7)

CAT

Campo de aplicación

N	Los circuitos se conectaron directamente a la instalación de baja tensión.
M	La instalación del edificio.
W	La fuente de la instalación de baja tensión

Seguridad : EN 61010-1, EN 61010-2-032, EN 61010-2-033 para CAT III 1000V, CAT IV 600V, EN 61326-1

Protección contra caídas : 1,2 m a suelo de madera o cemento

Vibración : Vibración aleatoria por MIL-PRF-28800F Clase 2

Grado de contaminación : 2

Uso en interiores

Especificaciones eléctricas

La precisión se da como \pm (% de lectura + recuentos de dígito menos significativo) a $23\text{ }^{\circ}\text{C} \pm 5\text{ }^{\circ}\text{C}$, con humedad relativa inferior al 80% R.H., y se especifica para 1 año después de la calibración.

(1) Coeficiente de temperatura

$0,2 \times$ (precisión especificada) / $^{\circ}\text{C}$, $< 18^{\circ}\text{C}$, $> 28^{\circ}\text{C}$

(2) Función de CA

Las especificaciones CAV y CAA son acopladas en CA, R.M.S. real

El factor cresta puede ser de hasta 3,0 con 4000 unidades.

La precisión no está especificada de la onda cuadrada.

Para formas de onda no sinusoidales, hay precisión adicional por factor de cresta (F.C.) :

Añadir 3,0% para F.C. 1,0 ~ 2,0.

Añadir 5,0% para F.C. 2,0 ~ 2,5.

Añadir 7,0% para F.C. 2,5 ~ 3,0.

Máx. Factor de cresta de la señal de entrada :

3,0 para 3000 unidades

2,0 para 4500 unidades

1,5 para 6000 unidades

La respuesta de frecuencia se especifica para la forma de onda sinusoidal.

La pantalla LCD muestra 0 unidades cuando la lectura < 20 unidades.

(3) CC mV

Rango	Lectura OL	Resolución	Precisión
600,0mV	660,0mV	0,1mV	$\pm (0,7\% + 5D)$

Impedancia de entrada : $10\text{M}\Omega$

Protección contra sobrecargas : CA/CC 1000V

(4) Tensión de CC

Rango	Lectura OL	Resolución	Precisión
600,0V	660,0V	0,1V	$\pm(0,7\% + 2D)$
1000V	1100V	1V	

Impedancia de entrada : $10\text{M}\Omega$

Protección contra sobrecargas : CA/CC 1000V

(5) Tensión de CA

Rango	Lectura OL	Resolución	Precisión
600,0V	660,0V	0,1V	$\pm(1,0\% + 5D)$
1000V	1100V	1V	

Impedancia de entrada : $10\text{M}\Omega$ // // menos de 100pF

Respuesta de frecuencia : 45 ~ 400Hz (Onda sinusoidal)

Protección contra sobrecargas : CA/CC 1000V

(6) Tensión FV CC

Rango	Lectura OL	Resolución	Precisión
600,0V	660,0V	0,1V	$\pm(2,0\% + 5D)$
2000V	2200V	1V	

Impedancia de entrada : $10\text{M}\Omega$

Protección contra sobrecargas : CA/CC 1000V

(7) Tensión FV CC

Rango	Lectura OL	Resolución	Precisión
600,0V	660,0V	0,1V	±(2,0% + 5D)
1500V	1600V	1V	

Respuesta de frecuencia : 45 ~ 400Hz (Onda sinusoidal)

Impedancia de entrada : 10MΩ // menos de 100pF

Protección contra sobrecargas : CA/CC 1000V

(8) CA/CC μA

Rango	Lectura OL	Resolución	Precisión
400,0μA	440,0μA	0,1μA	±(1,0% + 3D)
4000μA	4400μA	1μA	

Impedancia de entrada : Aprox. 3kΩ

Respuesta de frecuencia : 45 ~ 400Hz (Onda sinusoidal)

Protección contra sobrecargas : CA/CC 1000V

(9) Corriente CC

Rango	Lectura OL	Resolución	Precisión
60,00A	66,00A	0,01A	±(2,0% + 5D)
600,0A	660,0A	0,1A	

Si el valor medido < 5,0A, añadir 10 dgt a la precisión.

Si el valor medido > 1000A, añadir 0,5% a la precisión.

Protección contra sobrecargas : CA/CC 600A

(10) Corriente CA

Rango	Lectura OL	Resolución	Precisión
60,00A	66,00A	0,01A	±(2,0% + 5D)
600,0A	660,0A	0,1A	

Agregue 10 dgt a la precisión cuando <5,0A.

Agregue 0,5% a la precisión cuando >1000A.

Añadir 1% a la precisión cuando >100Hz.

Respuesta de frecuencia : (Onda sinusoidal) 45 ~ 400Hz

Protección contra sobrecargas : CA/CC 600A

(11) Sonda flexible de corriente

Rango	Lectura OL	Resolución	Precisión
300,0A	330,0A	0,1A	±(1,5% + 5D)
3000A	3300A	1A	

Respuesta de frecuencia : 45Hz a 400Hz

La precisión no incluye la precisión de la sonda flexible de corriente.

Protección contra sobrecargas : CA/CC 1000V

(12) Frecuencia

Rango	Lectura OL	Resolución	Precisión
100,00Hz	100,00Hz	0,01Hz	±(0,3% + 3D)
1000,0Hz	1000,0Hz	0,1Hz	
10,000kHz	10,000kHz	0,001kHz	

Sensibilidad mínima :

> 5V (para CAV 1Hz ~ 10kHz)

> 8A (para CAA 1Hz ~ 1kHz)

Frecuencia mínima : 1Hz**Protección contra sobrecargas :** CA/CC 1000V y 600A/1500A**(13) HFR (rechazo de alta frecuencia)**

Disponible para CAV, CAA y, sonda flexible de corriente.

Agregue ± 4% a la precisión especificada de cada función y cada rango para 45Hz a 200Hz.

La precisión no está especificada para > 200Hz.

Frecuencia de corte (-3dB) : 800Hz

(14) Corriente de irrupción

Disponible para CAA y sonda flexible de corriente.

Nivel de disparo : ≥ 50d.

Agregue ± 3% a la precisión especificada de cada función y cada rango.

(15) Resistencia

Rango	Lectura OL	Resolución	Precisión
600,0Ω	660,0Ω	0,1Ω	±(0,9% + 5D)
6,000kΩ	6,600kΩ	0,001kΩ	±(0,9% + 2D)
60,00kΩ	66,00kΩ	0,00kΩ	
600,0kΩ	660,0kΩ	0,1kΩ	

Para obtener más precisión, cortocircuite las sondas de prueba para obtener el desplazamiento. La especificación de precisión se especifica para el resultado sin el desplazamiento.

Protección contra sobrecargas : CA/CC 1000V**(16) Continuidad**

El zumbador suena cuando la resistencia medida es inferior a 20T y no suena cuando la resistencia medida es más de 200Q. Entre 20Q a 200Q el zumbador tal vez suene o no.

Indicador de continuidad : Zumbador de tono de 2.7K**Tiempo de respuesta de zumbador :** < 100msec.**Protección contra sobrecargas :** CA/CC 1000V**(17) Diode**

Rango	Lectura OL	Resolución	Precisión
1,500V	1,550V	0,001V	±(0,9% + 2D)

Tensión de circuito abierto : Aprox. 1,8V**Protección contra sobrecargas :** CA/CC 1000V.

(18) Capacitancia

Rango	Lectura OL	Resolución	Precisión
100,0 μ F	110.0 μ F	0,1 μ F	$\pm(1,9\% + 2D)$
1000 μ F	1100 μ F	1 μ F	

Protección contra sobrecargas : CA/CC 1000V

(20) Buscar Voltios

Rango de tensión de alta sensibilidad : 80V ~ 1000V (En el borde superior de la pinza)

Rango de tensión de baja sensibilidad : 160V ~ 1000V (En el borde superior de la pinza)

(20) Temperatura

Rango	Lectura OL	Resolución	Precisión
-40,0°C – 400.0°C	440,0°C	0,1°C	$\pm(1\% + 20D)$
-40,0°F – 752.0°F	824,0°F	0,1°F	$\pm(1\% + 36D)$

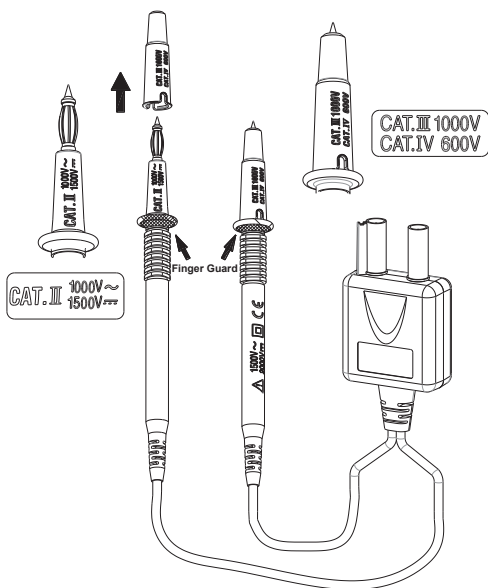
La precisión no incluye la precisión de la sonda termopar.

La especificación de precisión asume que la temperatura circundante es estable a $\pm 1^\circ\text{C}$. Para cambios de temperatura circundante de $\pm 2^\circ\text{C}$, la precisión nominal se aplica después de 2 horas.

Protección contra sobrecargas: CA/CC 1000V

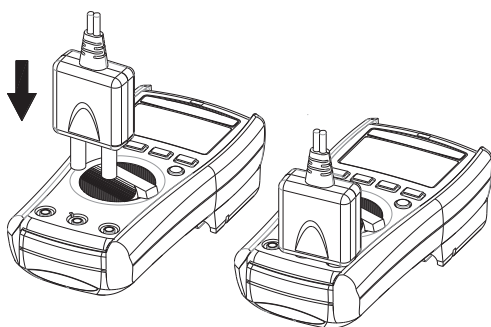
ATL-PV Instrucción de puntas de prueba

Tapa protectora de punta de sonda



Para entornos CAT III o CAT IV, utilice los puntas de prueba con la tapa protectora de la sonda asegurada. Sin la tapa protectora de la sonda, las puntas de prueba se pueden utilizar únicamente en entornos CAT II.

Para medir 1500V CA y 2000V CC, esta punta de prueba solo se puede utilizar en el entorno que no está conectado directamente a la red.

**Precaución**

Accertarsi che i conduttori di prova siano saldamente connessi ai morsetti V-COM del corretto strumento, e lo strumento deve passare alla modalità PV.

Advertencia

- Cuando utilice puntas de prueba o sondas, mantenga los dedos detrás de los protectores de mano.
- Tenga cuidado con las tensiones por encima de 30VCA rms, 42VCA pico o $\pm 30VCC$. Estas tensiones representan un peligro de electrocución.
- Si el equipo se utiliza de una manera no especificada por el fabricante, la protección provista por el equipo puede verse afectada.
- Para reducir el riesgo de incendio o descarga eléctrica, no utilice este producto en entornos con gas explosivo o lugares húmedos.
- NO UTILICE las puntas de prueba cuando esté expuesta la capa blanca de aislamiento interna.
- NO UTILICE las puntas de prueba por encima de las clasificaciones máximas de CAT. de ambiente, tensión y corriente, que se indican en la sonda y la tapa protectora de la sonda.
- NO UTILICE las puntas de prueba sin el protector de la punta de la sonda en entornos CAT III y CAT IV.
- NO UTILICE las puntas de prueba para medir más de 1000V que está conectado directamente a la red.

Mantenimiento

No intente reparar este conjunto de puntas de prueba. No contiene piezas que puedan ser reparadas por el usuario. Todas las reparaciones o revisiones deben ser realizadas únicamente por personal cualificado.

Limpieza

Limpie la punta de prueba con agua y detergente suave. NO utilice abrasivos ni disolventes y NO LO SUMERJA en líquido.

Especificaciones

Impedancia de entrada : 10M Ω

Categoría de sobretensión : CAT 0 1500V CA, 2000V CC
CAT II 1000V CA, 1500V CC
CAT III 1000V, CAT IV 600V.

Grado de Contaminación : 2

Longitud de la punta de la sonda expuesta :

19 mm a 4 mm (0,75 pulgadas a 0,16 pulgadas)

Clasificación ambiental : -10°C a 45°C (-4°F a 113°F), 80% R.H.









Altitud : 2000 m (6,562 pies)

Normativa de seguridad : EN61010-031

CAT Campo de aplicación

0	Circuitos que no están conectados directamente a la red
II	Los circuitos se conectaron directamente a la instalación de baja tensión.
III	La instalación del edificio.
IV	La fuente de la instalación de baja tensión.

Simboli come contrassegnati sul conduttore di prova

	Riesgo de descarga eléctrica		Ver tarjeta de tarjeta de instrucciones
	Medición CC		Medición CA
	Tierra		Corriente continua y alterna
	Se ajusta a las directivas de la UE		Equipos protegidos por aislamiento doble o reforzado









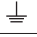



Informations de sécurité

Comprenez et suivez attentivement les instructions d'utilisation. Utilisez le compteur uniquement comme prévu.

AVERTISSEMENT

- Si l'équipement est utilisé d'une manière non spécifiée par le fabricant, la protection fournie par l'équipement peut être altérée.
- Utilisez toujours les bornes, la position du commutateur et la plage appropriées pour les mesures
- Pour réduire les risques d'incendie ou d'électrocution, n'utilisez pas ce produit à proximité de gaz explosifs ou dans des endroits humides.
- Vérifiez le fonctionnement du multimètre en mesurant une tension connue.
En cas de doute, faites-le réparer
- N'appliquez pas plus que la tension nominale, comme indiqué sur le multimètre, entre les bornes ou entre toute borne et la terre
- Pour éviter de fausses lectures pouvant entraîner des chocs électriques et des blessures, remplacez la batterie dès que l'indicateur de batterie faible clignote.
- Évitez de travailler seul pour pouvoir vous aider.
- N'utilisez pas le testeur si le testeur ne fonctionne pas correctement ou s'il est mouillé.
- Un dispositif de protection individuel doit être utilisé si des parties actives dangereuses de l'installation où la mesure doit être effectuée sont accessibles.
- Débranchez les cordons de test des points de test avant de changer la position du commutateur rotatif de fonction.
- Ne jamais connecter une source de tension lorsque la fonction rotative l'interrupteur n'est pas en position de tension.
- Lorsque vous utilisez des cordons de test ou des sondes, gardez vos doigts derrière les protège-doigts.
- Soyez prudent avec des tensions supérieures à 30 Vca rms, 42 Vca crête ou 60 Vcc. Ces tensions présentent un risque d'électrocution.
- Retirez le cordon de test du multimètre avant d'ouvrir le couvercle du compartiment à piles ou boîtier de compteur.
- N'UTILISEZ PAS les cordons de test lorsque l'isolation blanche interne interne est exposée.
- N'UTILISEZ PAS les cordons de test au-dessus des valeurs nominales maximales de CAT. de l'environnement, la tension et le courant indiqués sur la sonde et le capuchon de protection de l'extrémité de la sonde.
- N'UTILISEZ PAS les cordons de test sans le capuchon de protection de la pointe de la sonde dans les environnements CAT III et CAT IV.
- Les ensembles de sondes à utiliser pour les mesures SECTEUR doivent être CLASSÉS comme il convient pour la CATÉGORIE DE MESURE III ou IV conformément à la CEI 61010-031 et doivent avoir une tension NOMINALE d'au moins la tension du circuit à mesurer.
- Débranchez l'alimentation du circuit et déchargez tous les condensateurs haute tension avant de tester la résistance, la continuité, les diodes ou la capacité.
- Mettez l'installation testée hors tension ou portez des vêtements de protection appropriés lors du montage et du retrait de la sonde de courant flexible.
- Ne pas appliquer ou retirer des conducteurs DIRECTEURS DANGEREUX NON ISOLÉS, qui peuvent provoquer un choc électrique, une brûlure électrique ou un arc électrique.

Symboles tels qu'indiqués sur le multimètre et le manuel d'instructions

	Risque de choc électrique		Voir le manuel d'instructions
	Mesure CC		Mesure AC
	Bluetooth		Courant continu et alternatif
	Équipement protégé par une isolation double ou renforcée		Batterie faible
			Terre
	L'application et le retrait des conducteurs sous tension dangereux sont autorisés		Conforme aux directives de l'Union Européenne
			Ne pas jeter ce produit ou le mettre au rebut.

Tension dangereuse

Pour vous alerter de la présence d'une tension potentiellement dangereuse, lorsque le testeur détecte une tension ≥ 30 V ou une surcharge de tension (OL) en V, mV, PV. Le symbole ⚡ s'affiche.

Maintenance

N'essayez pas de réparer ce multimètre. Il ne contient aucune pièce réparable par l'utilisateur. La réparation ou l'entretien ne doit être effectué que par du personnel qualifié.

Nettoyage

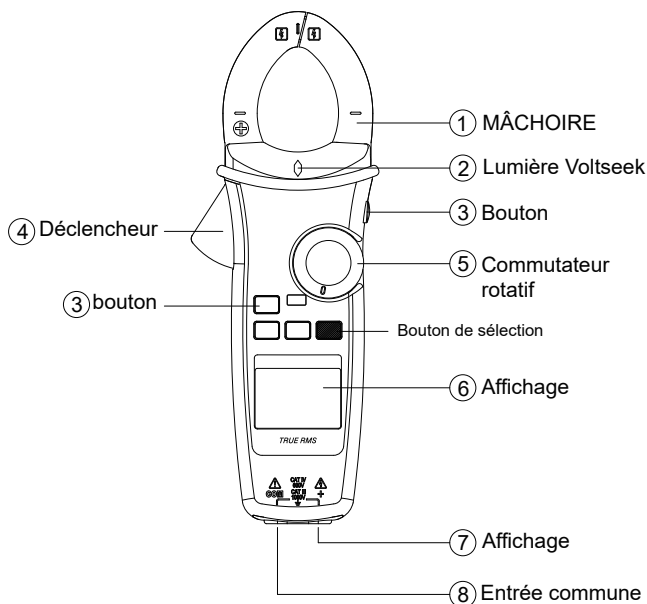
Essayez régulièrement le boîtier avec un chiffon sec et un détergent. N'utilisez pas d'abrasifs ou de solvants.

Introduction

La description du compteur

Illustration du panneau avant

1. MÂCHOIRE
2. Lumière Volt seek
3. Boutons poussoir.
4. Déclencheur
5. Commutateur rotatif pour allumer / éteindre l'alimentation et sélectionner la fonction.
6. Affichage numérique à 6000 points.
7. Terminal d'entrée pour multifonction.
8. Borne d'entrée commune (référence de masse).



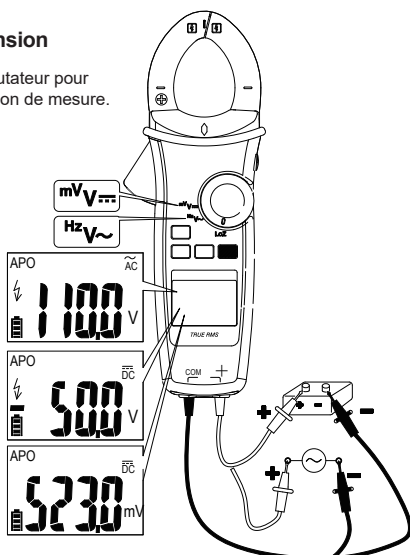
Faire des mesures de base

⚠ MISE EN GARDE

Lors de la connexion des cordons de test au DUT (Device Under Test), connectez les cordons de test communs avant de connecter les cordons de test sous tension; lors du retrait des cordons de test, retirez les cordons de test sous tension avant de retirer les cordons de test communs.

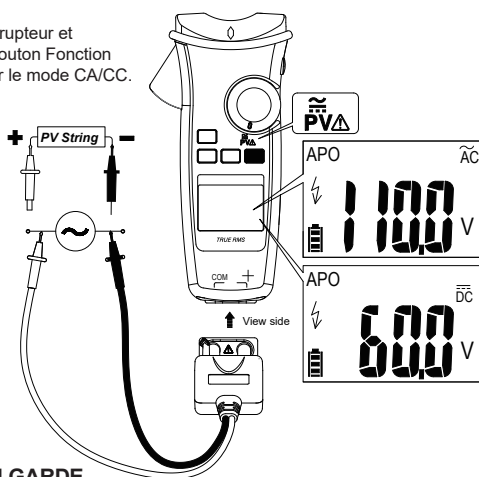
Mesure de la tension

Composez le commutateur pour sélectionner la fonction de mesure.



Mesure de la tension PV

Composez l'interrupteur et appuyez sur le bouton Fonction pour sélectionner le mode CA/CC.

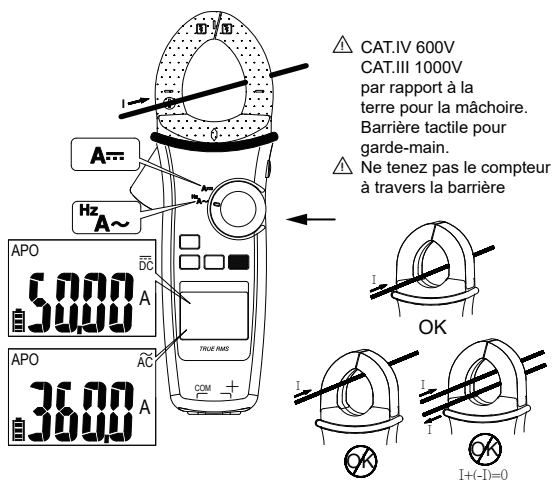


⚠ MISE EN GARDE

Cette fonction est uniquement disponible avec la sonde de test PV dédiée.

Sélectionnez toujours le mode CC / CA correct pour effectuer des mesures de haute tension. Ce compteur fera clignoter le symbole ⚡ et le symbole du mode correct (CA / CC) si la tension d'entrée est différente et dangereuse.

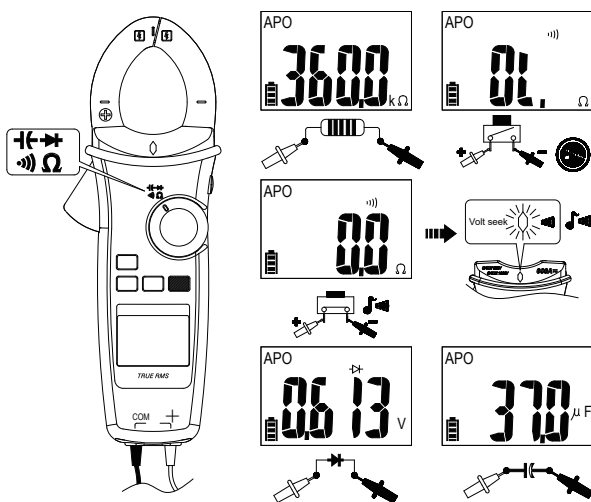
Measuring Current



Composez l'interrupteur et appuyez sur le bouton Fonction pour sélectionner la fonction de mesure.

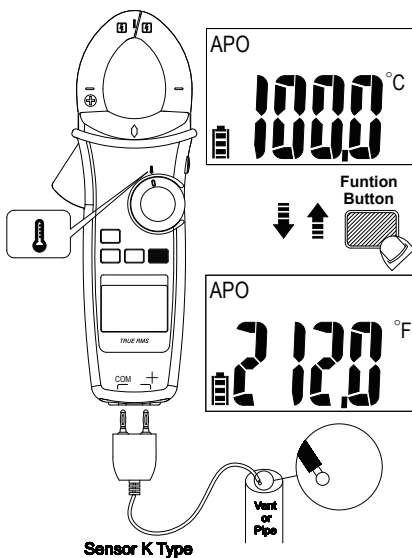
Remarque : La torche s'allume lorsque la mâchoire est ouverte.

Mesure de la résistance / continuité / capacité / diode

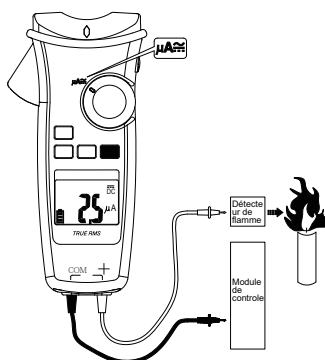


Composez l'interrupteur et appuyez sur le bouton Fonction pour sélectionner la fonction de mesure.

Température de mesure °C / °F



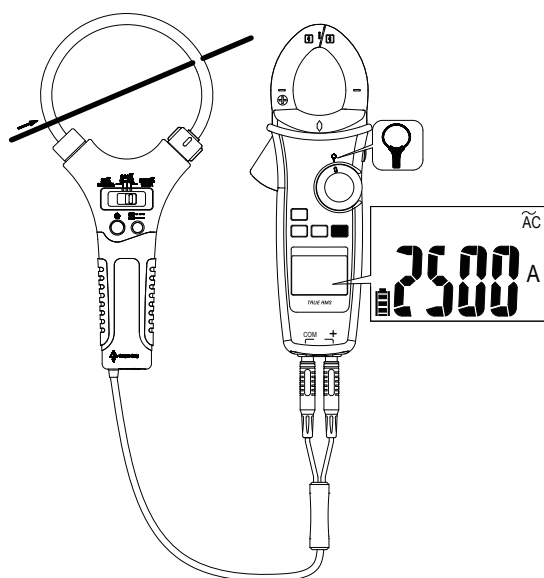
Composez le commutateur et appuyez sur le bouton de fonction pour sélectionner le mode °C / °F.

Mesure de μA 

Composez l'interrupteur et appuyez sur le bouton Fonction pour sélectionner le mode CA/CC.

Mesure du courant avec un multimètre à pince flexible

Maintenez la portée du multimètre Flex Clamp à un rapport de sortie de 3000 A / 3 V.

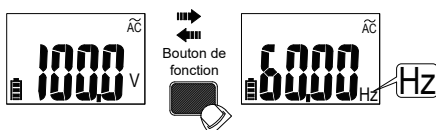


Utilisation de la fonction

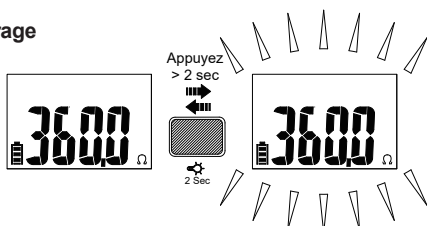
Position du commutateur	Fonction
PV	$\overline{\text{DC}} \rightarrow \tilde{\text{AC}}$
V~	V~ \rightarrow Hz
V=	V= \rightarrow mV=
A \approx	A= \rightarrow A~ \rightarrow Hz
μA	$\overline{\text{DC}} \rightarrow \tilde{\text{AC}}$
Ω	$\Omega \rightarrow \rightarrow \rightarrow \rightarrow \rightarrow \rightarrow \rightarrow$
\downarrow	C \rightarrow °F

Appuyez sur le bouton de fonction pour changer la fonction sur la même position de commutateur.

Mesure de la fréquence

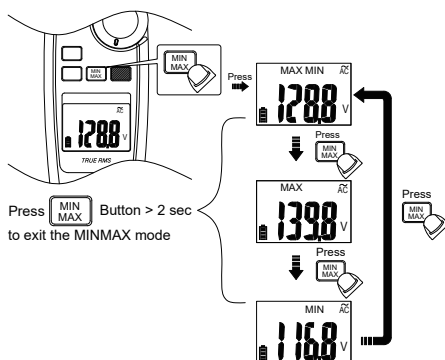


Rétroéclairage



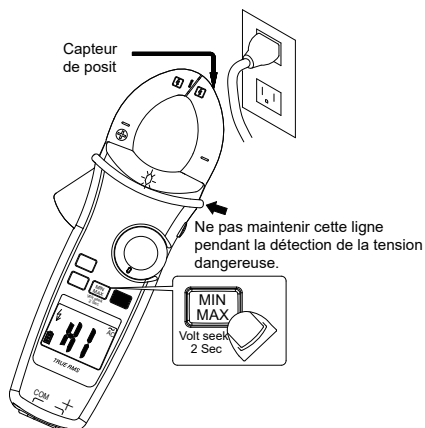
Appuyez sur le bouton de fonction pendant plus de 2 secondes pour activer / désactiver le rétroéclairage.

MIN / MAX



Le mode MAX / MIN enregistre les valeurs d'entrée min et max. Lorsque l'entrée descend en dessous de la valeur minimale enregistrée ou dépasse la valeur maximale enregistrée, le compteur enregistre la nouvelle valeur.

Volt cherche

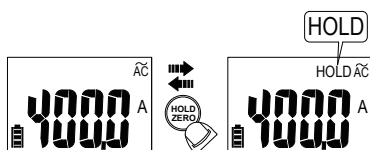


Appuyez sur le bouton MIN/MAX pendant plus de 2 secondes pour entrer / sortir du mode Recherche de Volt. Appuyez sur le bouton MIN / MAX pour changer la sensibilité haute / basse.

⚠ AVERTISSEMENT

La LED Volt Seek indique le champ électrique. Si le voyant Volt Seek n'est pas allumé, il se peut que la tension soit toujours présente.

Smart Hold

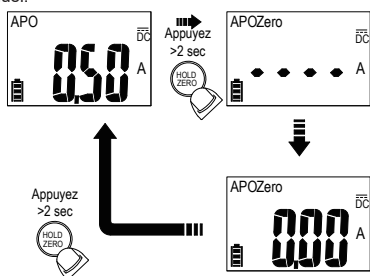


Le compteur émet un bip continu et l'affichage clignote si le signal mesuré est supérieur de 50 points à la valeur affichée. (Cependant, il ne peut pas détecter à travers la tension / courant alternatif et continu).

DCA ZERO

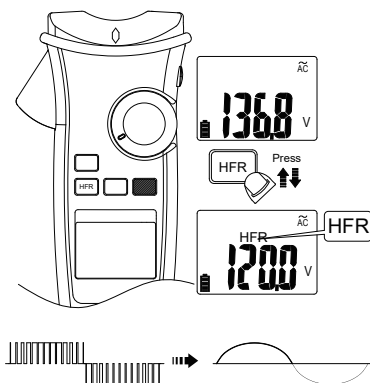
Retirez la mâchoire du conducteur avant d'effectuer DCA ZERO

Appuyez sur le bouton HOLD pendant plus de 2 secondes pour compenser le magnétisme résiduel.



Réjection des hautes fréquences (HFR)

Le mode de réjection haute fréquence équipe un filtre passe-bas dans les mesures AC. La fréquence de coupure (point -3 dB) du filtre passe-bas est de 800 Hz.

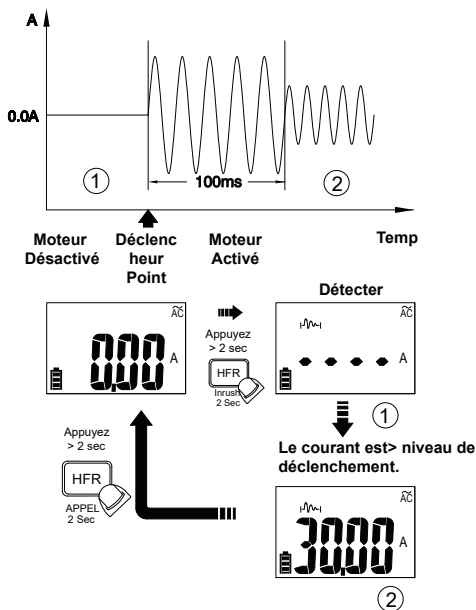


Avertissement

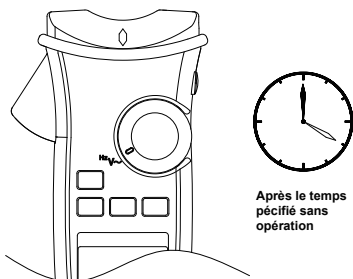
La tension dangereuse peut être présente même si la lecture de l'écran LCD est très faible en mode HFR. Vérifiez à nouveau la tension sans mode HFR.

APPEL

En mode courant d'appel, sélectionnez la plage de mesure appropriée en appuyant sur le bouton HFR / INRUSH avant de déclencher la mesure du courant d'appel.

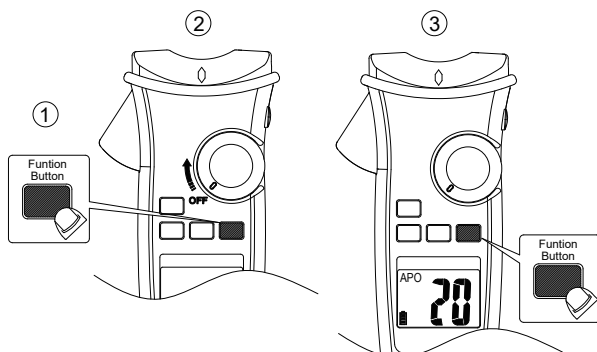


Mise hors tension automatique



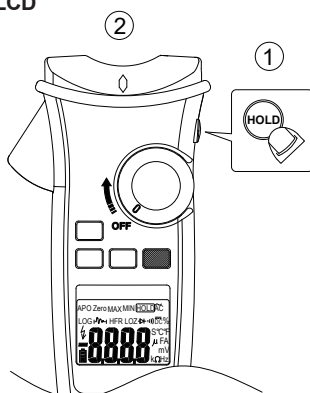
Réveille le lecteur en composant l'interrupteur ou en appuyant sur n'importe quel bouton.

Réglage de l'heure de la mise hors tension automatique



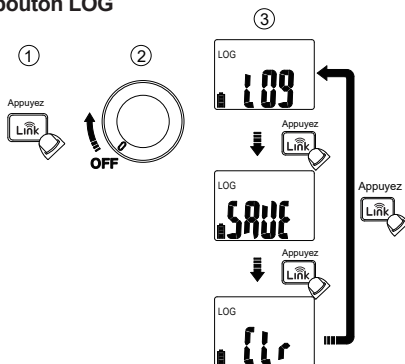
Appuyez sur le bouton de fonction et allumez le lecteur. Puis, appuyez sur la touche de fonction pour sélectionner l'heure. La durée peut être de 5 minutes, 10 minutes, 20 minutes et désactivée (OFF).

Test du moniteur LCD



Pour allumer le lecteur après avoir maintenu le bouton HOLD enfoncé.

Fonction du bouton LOG



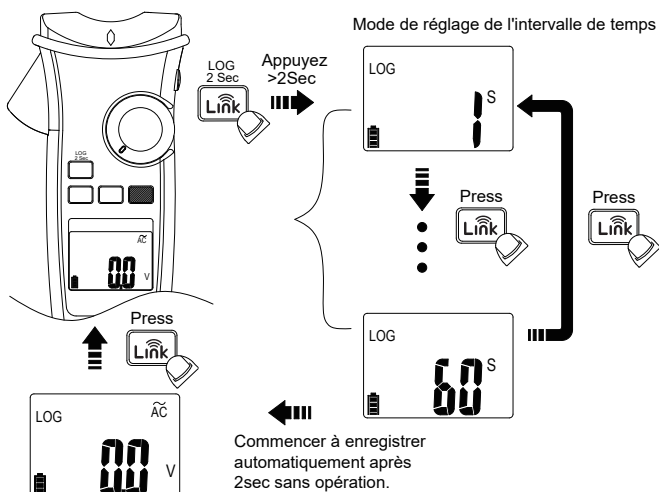
Appuyez sur le bouton **Link** lors de la mise sous tension pour sélectionner le - mode enregistreur, mode d'économie manuelle et effacer la mémoire.

Enregistreur de données

Le compteur peut stocker jusqu'à 4000 données en mémoire.

Appuyez sur le bouton **Link** pendant plus de 2 secondes pour activer le mode enregistreur de données. Le lecteur entre en mode de réglage de l'intervalle de temps.

Appuyez à nouveau sur le bouton **Link** pour sélectionner l'intervalle de temps. L'intervalle peut être de 1 seconde, 5 secondes, 10 secondes, 30 secondes, 60 secondes.

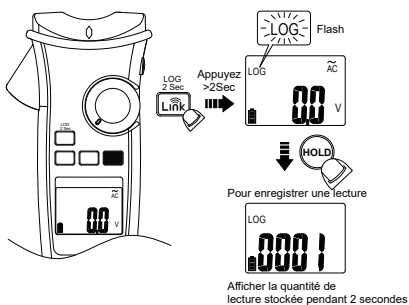


L'icône LOG clignote pendant la journalisation

⚠ MISE EN GARDE

Toutes les données stockées seront supprimées au démarrage suivant. Téléchargez d'abord les données stockées par l'application si nécessaire.

Manual Saving Mode



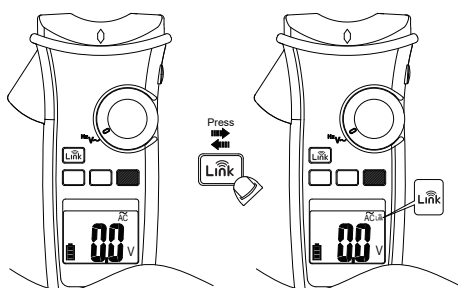
⚠ MISE EN GARDE

Toutes les données stockées sont sauvegardées jusqu'à ce que le système passe en mode enregistreur de données ou que la fonction d'effacement soit exécutée.

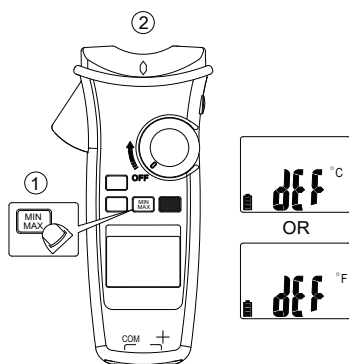
Link

Le compteur utilise la technologie sans fil Bluetooth Low Energy (BLE) V4.0 pour transférer la lecture en temps réel et les données stockées. La portée de communication en plein air est jusqu'à 10 m.

Téléchargez l'application "KPS Link" via le code QR suivant. Activez la fonction Bluetooth du multimètre et ouvrez «KPS Link» pour connecter le multimètre numérique. L'icône Bluetooth du lecteur se fige sur l'écran LCD une fois la connexion établie.



Réglage des unités de température par défaut

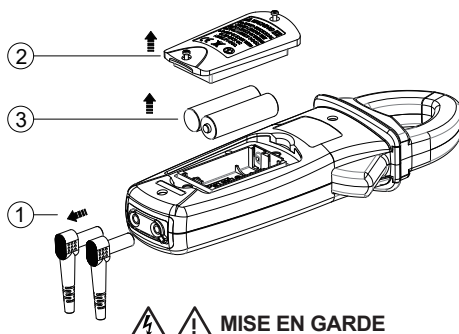


Allumez le lecteur après avoir maintenu le bouton MIN / MAX enfoncé.

Batterie faible et remplacement de la batterie

Remplacez la batterie dès que l'indicateur de batterie faible apparaît, pour éviter une fausse lecture.

Reportez-vous à la figure suivante pour remplacer les piles



Retirez les cordons de test du multimètre avant d'ouvrir le couvercle des piles ou le boîtier du multimètre.

Spécifications

Spécifications générales

Affichage : 6000 comptes.

Indication de dépassement de plage: "OL" ou "-OL"

Mesure r : Échantillons 3 fois par seconde.

Taille maximale du conducteur de la mâchoire : Diamètre 37 mm

Dimensions (L x H x P) : 62 mm x 240 mm x 41 mm

Poids : env. 430g (avec batterie)

Indication de piles faibles:

La tension chute en dessous de la tension de fonctionnement  clignote.

Puissance requise : Pile de taille AA x 2 (R6, LR6, 15D, 15A)

Vie de la batterie : 300 heures de batterie ALCALINE (sans rétroéclairage)

Température de fonctionnement : -10 ~ 10°C

10°C ~ 30°C (≤80% RH),

30°C ~ 40°C (≤75% RH)

40°C ~ 50°C (≤45%RH)

Température de stockage :

-20 ° C à 60 ° C, 0 à 80% H.R. (piles non installées)

Altitude : 6561,7 pi (2000 m)

CAT

Champ d'application

II	Les circuits directement connectés à l'installation basse tension.
III	L'installation du bâtiment.
IV	La source de l'installation basse tension.

Sécurité : EN 61010-1, EN 61010-2-032, EN 61010-2-033 for CAT III 1000 V, CAT IV 600 V, EN 61326-1

Protection contre les chutes: Chute de 4 pieds vers le bois dur sur un sol en béton

Vibration : Vibration aléatoire selon MIL-PRF-28800F Classe 2

Degré de pollution : 2

Usage intérieur

Spécifications électriques

La précision est donnée sous forme de \pm (% de la lecture + décompte du chiffre le moins significatif) à $23^{\circ}\text{C} \pm 5^{\circ}\text{C}$, avec une humidité relative inférieure à 80% H.R., et est spécifiée pour 1 an après l'étalonnage.

(1) Coefficient de température

0,2 x (précision spécifiée) / $^{\circ}\text{C}$, $<18^{\circ}\text{C}$, $>28^{\circ}\text{C}$

(2) Fonction CA

Les spécifications ACV et ACA sont couplées en courant alternatif, véritable R.M.S.

Le facteur de crête peut aller jusqu'à 3,0 pour 4000 comptes.

La précision de l'onde carrée n'est pas spécifiée.

Pour les formes d'onde non sinusoïdales, la précision ajoutée par le facteur de crête (F.C.) :

Ajouter 3.0% pour C.F. 1.0 ~ 2.0.

Ajouter 5.0% pour C.F. 2.0 ~ 2.5.

Ajouter 7.0% pour C.F. 2.5 ~ 3.0.

Max. Facteur de crête du signal d'entrée :

3,0 @ 3000 comptes

2,0 @ 4500 comptes

1,5 @ 6000 comptes

La réponse en fréquence est spécifiée pour la forme d'onde sinusoïdale.

L'écran LCD affiche 0 compte lorsque la lecture est < 20 comptes.

(3) mV CC

Gamme	Lecture OL	Résolution	Précision
600,0mV	660,0mV	0,1mV	$\pm(0,7\% + 5D)$

Impédance d'entrée : $10\text{M}\Omega$

Protection de surcharge : CA/CC 1000 V

(4) Tension CC

Gamme	Lecture OL	Résolution	Précision
600,0V	660,0V	0,1V	$\pm(0,7\% + 2D)$
1000V	1100V	1V	

Impédance d'entrée : $10\text{M}\Omega$

Protection de surcharge : CA/CC 1000 V

(5) Tension CA

Gamme	Lecture OL	Résolution	Précision
600,0V	660,0V	0,1V	$\pm(1,0\% + 5D)$
1000V	1100V	1V	

Impédance d'entrée: $10\text{M}\Omega //$ moins de 100 pF

Fréquence de réponse : 45 ~ 400Hz (onde sinusoïdale)

Protection de surcharge : CA/CC 1000 V

(6) Tension CC PV

Gamme	Lecture OL	Résolution	Précision
600,0V	660,0V	0,1V	$\pm(2,0\% + 5D)$
2000V	2200V	1V	

Impédance d'entrée : $10\text{M}\Omega$

Protection de surcharge : CA/CC 1000 V

(7) Tension CA PV

Gamme	Lecture OL	Résolution	Précision
600,0V	660,0V	0,1V	±(2,0% + 5D)
1500V	1600V	1V	

Fréquence de réponse : 45 ~ 400Hz (onde sinusoïdale)

Impédance d'entrée : 10MΩ // moins de 100 pF

Protection de surcharge : CA/CC 1000 V

(8) CA / CC μA

Gamme	Lecture OL	Résolution	Précision
400,0μA	440,0μA	0,1μA	±(1,0% + 3D)
4000μA	4400μA	1μA	

Impédance d'entrée : Environ 3kΩ

Fréquence de réponse : 45 ~ 400Hz (onde sinusoïdale)

Protection de surcharge : CA/CC 1000 V

(9) CC Courant Continu

Gamme	Lecture OL	Résolution	Précision
60.00A	66.00A	0.01A	±(2.0% + 5D)
600.0A	660.0A	0.1A	

La valeur mesurée <5,0 A, ajoutez 10 chiffres pour la précision

La valeur mesurée > 1000A, ajoutez 0,5% pour la précision

Protection de surcharge : CA/CC 600A

(10) CA courant alternatif

Gamme	Lecture OL	Résolution	Précision
60.00A	66.00A	0.01A	±(2.0% + 5D)
600.0A	660.0A	0.1A	

Ajoutez 10 chiffres pour la précision si elle est <5,0A.

Ajouter 0,5% pour la précision si elle est >1000A.

Ajouter 1% pour la précision si elle est >100Hz.

Fréquence de réponse :

(Onde sinusoïdale) 45 ~ 400Hz for ^ 1000A 45 ~ 65Hz for >1000A

Protection de surcharge : CA/CC 600A

(11) Sonde de courant flexible

Gamme	Lecture OL	Résolution	Précision
300.0A	330.0A	0.1A	±(1,5% + 5D)
3000A	3300A	1A	

Fréquence de réponse : 45 Hz à 400 Hz

La précision n'inclut pas la précision de la sonde de courant flexible.

Protection de surcharge : CA/CC 1000 V

(12) La fréquence

Gamme	Lecture OL	Résolution	Précision
100.00Hz	100.00Hz	0.01Hz	±(3.0% + 3D)
1000.0Hz	1000.0Hz	0.1Hz	
10.000kHz	10.000kHz	0.001kHz	

Sensibilité minimale:

> 5 V (pour ACV 1 Hz ~ 10 kHz)

> 8A (pour ACA 1 Hz ~ 1 kHz)

Fréquence minimale : 1Hz**Protection de surcharge :** CA/CC 1000 V et 600A/1500A**(13) Réjection des hautes fréquences (HFR)**

Disponible pour ACV, ACA et, sonde de courant flexible.

Ajoutez ± 4% à la précision spécifiée de chaque fonction et de chaque plage de 45 Hz à 200 Hz.

La précision n'est pas spécifiée pour > 200 Hz.

Fréquence de coupure (-3 dB): 800Hz

(14) Courant d'appel

Disponible pour ACA et sonde de courant flexible.

Niveau de déclenchement: $\geq 50d$.

Ajoutez ± 3% à la précision spécifiée de chaque fonction et de chaque plage.

(15) Résistance

Gamme	Lecture OL	Résolution	Précision
600.0Ω	660.0Ω	0.1Ω	±(0.9% + 5D)
6.000kΩ	6.600kΩ	0.001kΩ	±(0.9% + 2D)
60.00kΩ	66.00kΩ	0.00kΩ	
600.0kΩ	660.0kΩ	0.1kΩ	

Pour améliorer la précision des résultats, court-circuitez les sondes de test pour mesurer le décalage. La spécification de précision est spécifiée pour le résultat de soustraction du décalage.

Protection de surcharge : CA/CC 1000 V**(16) Continuité**

Le signal sonore intégré retentit lorsque la résistance mesurée est inférieure à 20Q et s'éteint lorsque la résistance mesurée est supérieure à 200Q. Entre 20Q et 200Q, le signal sonore peut retentir ou s'éteindre.

Indicateur de continuité : Avertisseur sonore 2,7K

Temps de réponse du signal sonore : < 100msec.**(17) Diode**

Gamme	Lecture OL	Résolution	Précision
1.500V	1.550V	0.001V	±(0.9% + 2D)

Tension en circuit ouvert : Protection contre les surcharges est d'environ 1.8V : CA/CC 1000 V

(18) Capacité

Gamme	Lecture OL	Résolution	Précision
100.0 μ F	110.0 μ F	0.1 μ F	$\pm(1.9\% + 2D)$
1000 μ F	1100 μ F	1 μ F	

Protection de surcharge: CA/CC 1000 V

(19) VoltSeek

Gamme de tension de haute sensibilité : 80V ~ 1000V (au bord supérieur de la mâchoire)

Gamme de tension de faible sensibilité : 160V ~ 1000V (au bord supérieur de la mâchoire)

(20) Température

Gamme	Lecture OL	Résolution	Précision
-40.0°C – 400.0°C	440.0°C	0.1°C	$\pm(1\% + 20D)$
-40.0°F – 752.0°F	824.0°F	0.1°F	$\pm(1\% + 36D)$

La précision n'inclut pas la précision de la sonde thermocouple.

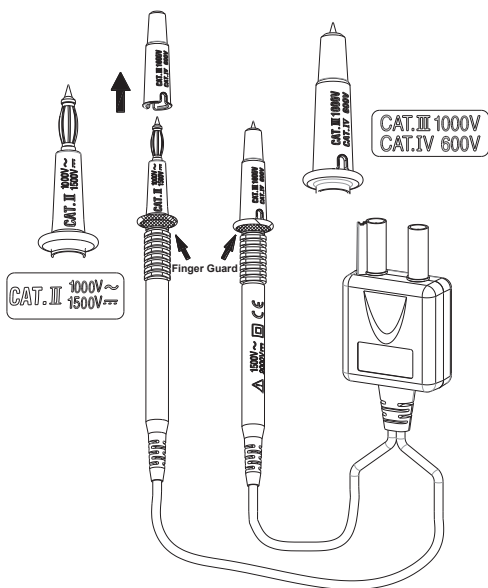
Les spécifications de précision supposent une température ambiante stable à $\pm 1^\circ\text{C}$.

Pour les variations de température ambiante de $\pm 2^\circ\text{C}$, la précision nominale s'applique après 2 heures.

Protection de surcharge : CA/CC 1000 V

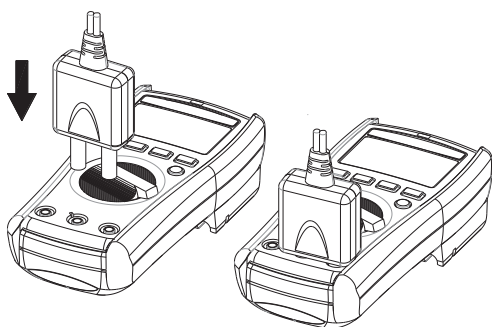
Instructions pour les cordons de test ATL-PV

Bouchon de protection de la pointe de la sonde



Pour les environnements CAT III ou CAT IV, utilisez les cordons de test avec le capuchon de protection de l'extrémité de la sonde fixé fermement. Sans le bouchon de protection de la pointe de la sonde, les fils de test peuvent être utilisés dans un environnement CAT II UNIQUEMENT.

Pour les mesures de 1500V AC et 2000V DC, ce fil de test ne peut être utilisé que dans un environnement qui n'est pas connecté directement au secteur.



⚠ MISE EN GARDE

Assurez-vous que les fils de test sont fermement connectés aux bornes V-COM du bon instrument, et que l'instrument doit passer en mode PV.

Avertissement

- Lorsque vous utilisez des cordons de test ou des sondes, gardez vos doigts derrière les protège-doigts.
- Soyez prudent avec des tensions supérieures à 30 Vac rms, 42 Vac crête ou 60 Vdc. Ces tensions présentent un risque d'électrocution.
- Si le fil de test est utilisé d'une manière non spécifiée par le fabricant, la protection fournie par l'équipement peut être altérée.
- Pour réduire les risques d'incendie ou de choc électrique, n'utilisez pas ce produit à proximité de gaz explosifs ou dans des endroits humides.
- N'UTILISEZ PAS les fils d'essai lorsque la couche d'isolation blanche interne est exposée.
- N'UTILISEZ PAS les cordons de test au-dessus des valeurs nominales maximales de CAT de l'environnement, la tension et le courant indiqués sur la sonde et le capuchon de protection de l'extrémité de la sonde.
- N'UTILISEZ PAS les cordons de test sans le capuchon de protection de la pointe de la sonde dans les environnements CAT III et CAT IV.
- N'UTILISEZ PAS les fils de test pour mesurer plus de 1000 V connectés directement au SECTEUR.

Maintenance

N'essayez pas de réparer ce jeu de cordons de test. Il ne contient aucune pièce réparable par l'utilisateur. La réparation ou l'entretien ne doit être effectué que par du personnel qualifié.

Nettoyage

Nettoyez le cordon de test avec de l'eau et un détergent doux. NE PAS utiliser d'abrasifs ou de solvants et NE PAS IMMERGER dans un liquide.

Spécifications

Impédance d'entrée : 10M Ω

Catégorie de surtension : CAT 0 1500 V AC, 2000 V DC
 CAT II 1000V AC, 1500V DC
 CAT IV 1000V, CAT III 600V

Pollution Degree : 2

ELongueur de la pointe de la sonde exposée :

19 mm à 4 mm (0,75 pouce à 0,16 pouce)

Évaluations environnementales : -10 °C à 45 °C, (-4°F à 113°F) H.R





Altitude : 2000 m (6,562 Pi)

Normes de sécurité : EN61010-031

CAT Champ d'application

0	Circuits qui ne sont pas directement connectés au secteur
II	Les circuits directement connectés à l'installation basse tension.
III	L'installation du bâtiment.
IV	La source de l'installation basse tension.

Symboles tels que marqués sur le cordon de test et la carte d'instructions

	Risque de choc électrique		Voir la carte d'instructions
	Mesure CC		Mesure CA
	Terre		Courant continu et alternatif
	Conforme aux directives de l'Union Européenne		Équipement protégé par une isolation double ou renforcée








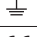


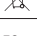
Sicherheitshinweise

Verstehen und befolgen Sie die Betriebsanleitung sorgfältig. Verwenden Sie das Messgerät nur wie beabsichtigt.

WARNUNG

- Wenn das Gerät auf eine Weise verwendet wird, die nicht vom Hersteller angegeben ist, kann der vom Gerät gebotene Schutz beeinträchtigt werden.
- Verwenden Sie für die Messungen immer die richtigen Klemmen, Schalterstellungen und Bereiche.
- Verwenden Sie dieses Produkt nicht in der Nähe von explosiven Gasen oder an feuchten Orten, um die Gefahr eines Brandes oder eines Stromschlags zu verringern.
- Überprüfen Sie den Betrieb des Messgeräts durch Messen einer bekannten Spannung. Im Zweifelsfall lassen Sie das Messgerät warten.
- Legen Sie nicht mehr als die auf dem Messgerät angegebene Nennspannung zwischen den Klemmen oder zwischen einer Klemme und der Erdung an.
- Um falsche Messwerte zu vermeiden, die zu Stromschlägen und Verletzungen führen können, tauschen Sie die Batterie aus, sobald die Batterieanzeige blinkt.
- Vermeiden Sie es, allein zu arbeiten, damit Hilfe geleistet werden kann.
- Verwenden Sie das Messgerät nicht, wenn es nicht ordnungsgemäß funktioniert oder wenn es nass ist.
- Es muss eine individuelle Schutzeinrichtung verwendet werden, wenn gefährliche stromführende Teile in der Anlage, in der die Messung durchgeführt werden soll, zugänglich sein könnten.
- Trennen Sie die Messleitungen von den Messpunkten, bevor Sie die Position des Funktionsdreh Schalters ändern.
- Schließen Sie niemals eine Spannungsquelle an, wenn der Funktionsdreh schalter nicht in der Position Spannung steht.
- Wenn Sie Messleitungen oder Prüfspitzen verwenden, halten Sie Ihre Finger hinter dem Fingerschutz.
- Seien Sie vorsichtig bei Spannungen über 30 Vac rms, 42 Vac Spitze oder 60 Vdc. Diese Spannungen stellen eine Stromschlaggefahr dar.
- Entfernen Sie die Messleitung vom Messgerät, bevor Sie das Batteriefach oder das Messgerätegehäuse öffnen.
- Verwenden Sie die Messleitungen NICHT, wenn die innere weiße Isolierschicht freigelegt ist.
- VERWENDEN Sie die Messleitungen NICHT über die maximalen Nennwerte von CAT. Umgebung, Spannung und Strom, die auf der Sonde und der Schutzkappe der Sondenspitze angegeben sind.
- Verwenden Sie die Messleitungen NICHT ohne die Schutzkappe für die Sondenspitze in CAT III- und CAT IV-Umgebungen.
- Tastköpfe, die für Netzmessungen verwendet werden sollen, müssen gemäß IEC 61010-031 für die Messkategorie III oder IV RATING sein und eine Spannung RATING von mindestens der Spannung des zu messenden Stromkreises haben.
- Trennen Sie den Stromkreis und entladen Sie alle Hochspannungskondensatoren, bevor Sie Widerstand, Durchgang, Dioden oder Kapazität prüfen.
- Schalten Sie die zu prüfende Anlage spannungsfrei oder tragen Sie beim Ein- und Ausbau der flexiblen Stromzange geeignete Schutzkleidung.
- Nicht in der Nähe von UNISOLIERTEN, GEFÄHRLICHEN, STROMLEITENDEN Leitern anbringen oder von diesen entfernen, da dies zu Stromschlag, Verbrennungen oder Lichtbogen führen kann.

Symbole wie auf dem Messgerät und in der Bedienungsanleitung angegeben

	Gefahr eines elektrischen Schlages		Siehe Gebrauchsanweisung
	DC Messung		AC Messung
	Bluetooth		Sowohl Gleichstrom als auch Wechselstrom
	Durch doppelte oder verstärkte Isolierung geschützte Geräte		Schwache Batterie
			Erdung
	Anwendung um und Entfernung von gefährlichen stromführenden Leitern ist erlaubt		Entspricht den EU-Richtlinien
			Dieses Produkt darf nicht entsorgt oder weggeworfen werden.

Unsichere Spannung

Um Sie auf das Vorhandensein einer potenziell gefährlichen Spannung hinzuweisen, wenn das Prüfgerät eine Spannung ≥ 30 V oder eine Spannungsüberlastung (OL) in V, mV, PV erkennt. Das Symbol ⚡ wird angezeigt.

Wartung

Versuchen Sie nicht, das Messgerät zu reparieren. Es enthält keine vom Anwender zu wartenden Teilen. Reparaturen oder Wartungsarbeiten sollten nur von qualifiziertem Personal durchgeführt werden.

Reinigung

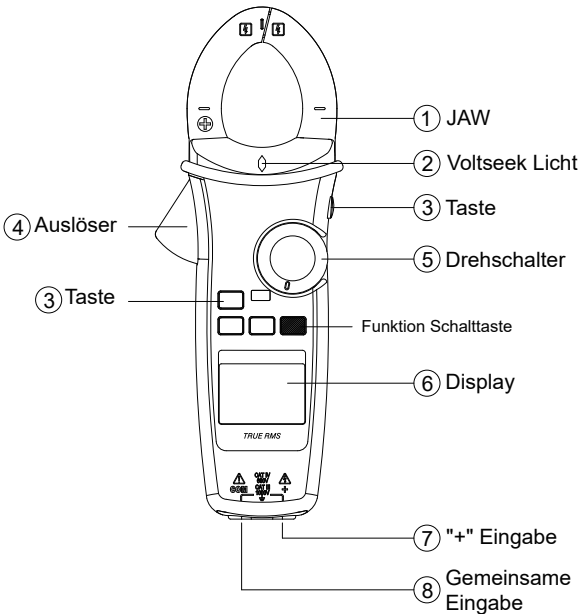
Wischen Sie das Gehäuse regelmäßig mit einem trockenen Tuch und Reinigungsmittel ab. Verwenden Sie keine Scheuermittel oder Lösungsmittel.

Einführung

Das Messgerät Beschreibung

Abbildung der Frontplatte

1. JAW
2. Voltseek Licht
3. Drucktasten.
4. Auslöser.
5. Drehschalter zum Ein- und Ausschalten und zur Auswahl der Funktion.
6. Digitale Anzeige mit 6.000 Zählern.
7. Eingangsklemme für Multifunktion.
8. Gemeinsam (Massebezug) Eingangsklemme.



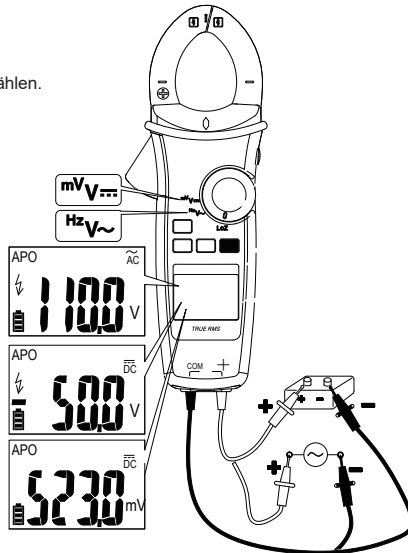
Grundlegende Messungen durchführen

⚠ ACHTUNG

Beim Anschluss der Messleitungen an das DUT (Device Under Test) schließen Sie die gemeinsamen Messleitungen an, bevor Sie die spannungsführenden Messleitungen anschließen; beim Entfernen der Messleitungen entfernen Sie die spannungsführenden Messleitungen, bevor Sie die gemeinsamen Messleitungen entfernen.

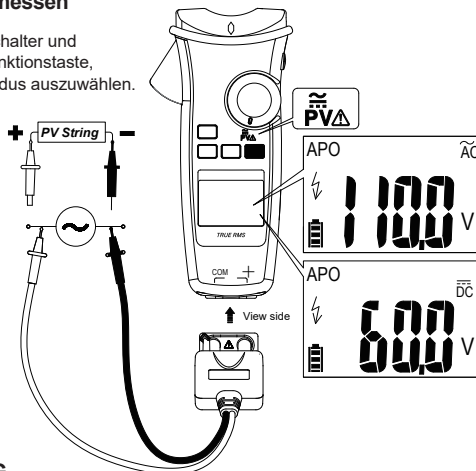
Messspannung

Wählen Sie den Schalter, um die Messfunktion zu wählen.



PV-Spannung messen

Wählen Sie den Schalter und drücken Sie die Funktionstaste, um den AC/DC-Modus auszuwählen.

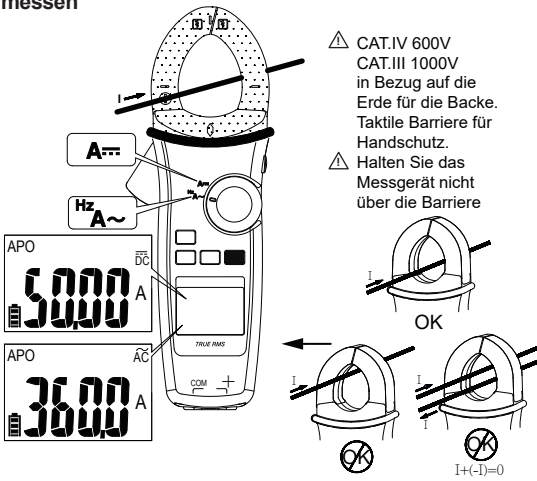


⚠ ACHTUNG

Diese Funktion ist nur mit der speziellen PV-Prüfsonde verfügbar.

Wählen Sie immer den richtigen DC- / AC-Modus, um Hochspannungsmessungen durchzuführen. Dieses Messgerät blinkt das Symbol ⚡ und das Symbol für den richtigen Modus (AC / DC), wenn die Eingangsspannung unterschiedlich und gefährlich ist.

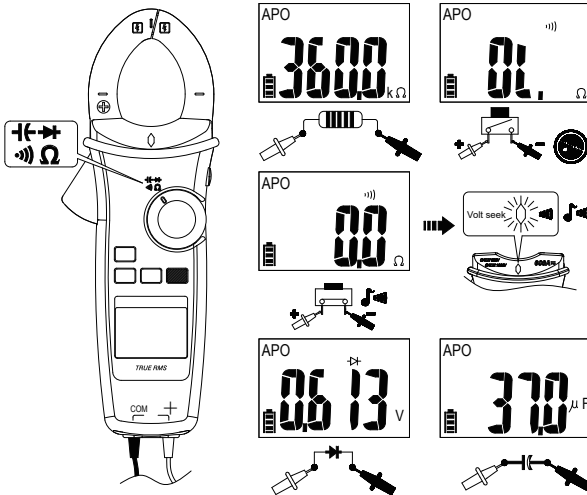
Strom messen



Wählen Sie den Schalter und drücken Sie die Funktionstaste, um die Messfunktion zu wählen.

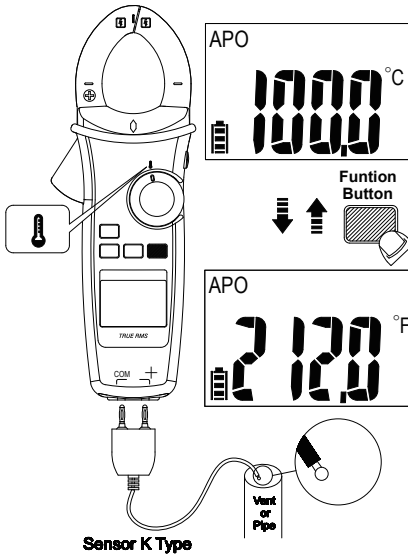
Hinweis : Die Taschenlampe leuchtet, wenn das Maul geöffnet wird.

Widerstand / Kontinuität / Kapazität / Diode messen

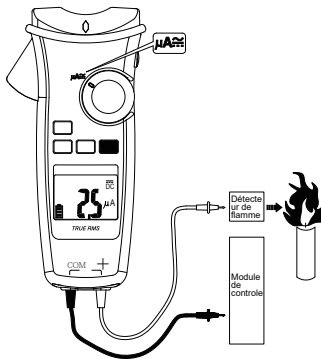


Wählen Sie den Schalter und drücken Sie die Funktionstaste, um die Messfunktion zu wählen.

Temperatur °C / °F messen



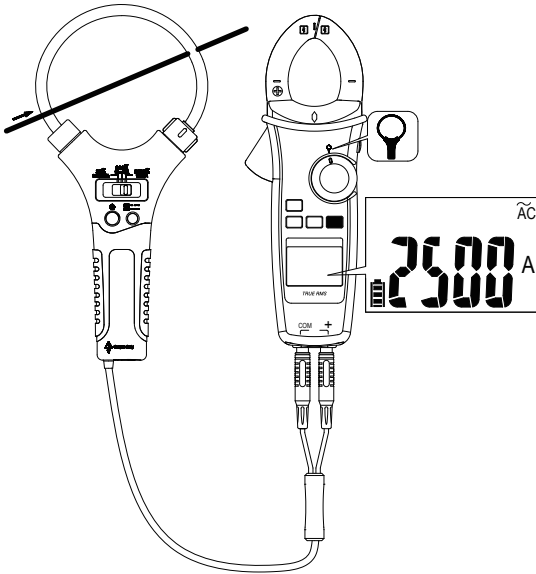
Wählen Sie den Schalter und drücken Sie die Funktionstaste, um den °C / °F-Modus auszuwählen.

 μA messen

Wählen Sie den Schalter und drücken Sie die Funktionstaste, um den AC/DC-Modus auszuwählen.

Strom mit Flex-Zangenmessgerät messen

Halten Sie den Bereich des Flex-Zangenmessers bei 3000A/3V Ausgangsverhältnis.



Funktion verwenden

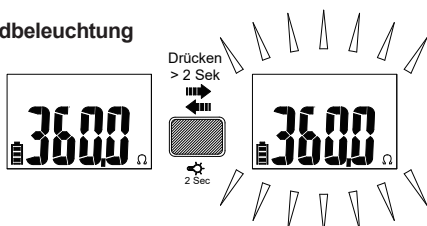
Schalterstellung	Funktion
PV	$\overline{\text{DC}} \rightarrow \tilde{\text{AC}}$
V~	$\text{V}\sim \rightarrow \text{Hz}$
V $\overline{\text{DC}}$	$\text{V}\overline{\text{DC}} \rightarrow \text{mV}\overline{\text{DC}}$
A \approx	$\text{A}\overline{\text{DC}} \rightarrow \text{A}\sim \rightarrow \text{Hz}$
μA	$\overline{\text{DC}} \rightarrow \tilde{\text{AC}}$
Ω	$\Omega \rightarrow \text{diode} \rightarrow \text{diode} \rightarrow \text{diode}$
\downarrow	$\text{C} \rightarrow \text{°F}$

Drücken Sie die Funktionstaste, um die Funktion an der gleichen Schalterposition zu ändern.

Frequenz messen

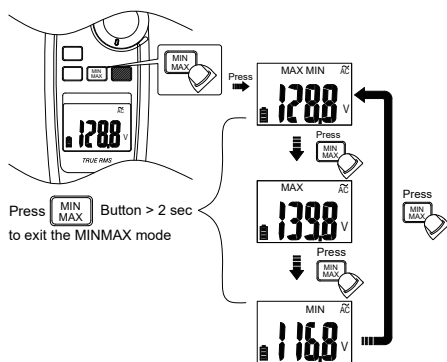


Hintergrundbeleuchtung



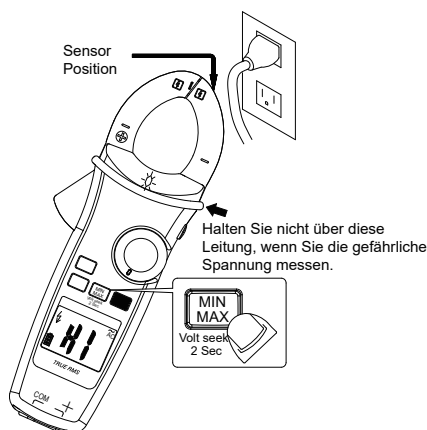
Drücken Sie die Funktionstaste länger als 2 Sekunden, um die Hintergrundbeleuchtung ein-/auszuschalten.

MIN / MAX



Der Modus MAX/MIN zeichnet die minimalen und maximalen Eingangswerte auf. Wenn der Eingang unter den aufgezeichneten Minimalwert oder über den aufgezeichneten Maximalwert geht, zeichnet das Messgerät den neuen Wert auf. Drücken Sie die Taste Halten, um die Aufnahme anzuhalten.

Volt Seek

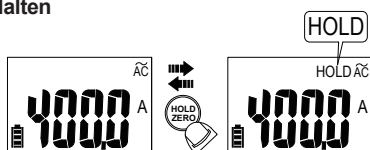


Drücken Sie die MIN/MAX-Taste länger als 2 Sekunden, um den Volt-Suchmodus aufzurufen/zu verlassen. Drücken Sie die MIN/MAX-Taste, um zwischen hoher und niedriger Empfindlichkeit umzuschalten.

Warnung

Die LED Volt Seek zeigt das elektrische Feld an. Wenn die Volt Seek-LED nicht leuchtet, könnte noch Spannung vorhanden sein.

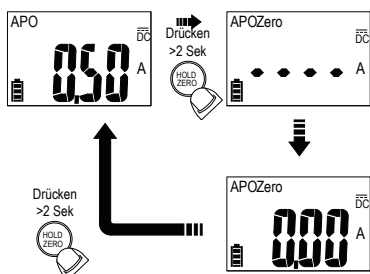
Intelligentes Halten



Das Messgerät piept kontinuierlich und die Anzeige blinkt, wenn das gemessene Signal um 50 Zählerstände größer ist als der Anzeigewert. (Es kann jedoch nicht über die AC- und DC-Spannung / Strom erkennen).

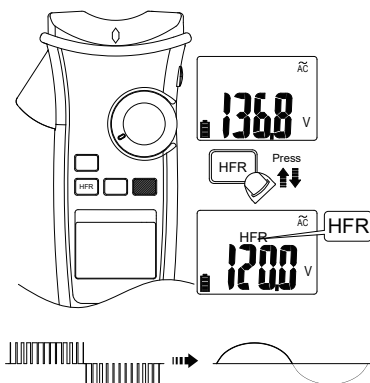
DCA ZERO

Entfernen Sie die Klemmbacke vom Leiter, bevor Sie DCA ZERO durchführen. Drücken Sie die HALTEN-Taste für mehr als 2 Sek. um den Restmagnetismus zu kompensieren.



Hochfrequenzunterdrückung (HFR)

Der Modus „Hochfrequenzunterdrückung“ rüstet einen Tiefpassfilter bei den AC-Messungen aus. Die Grenzfrequenz (-3dB-Punkt) des Tiefpassfilters beträgt 800Hz.

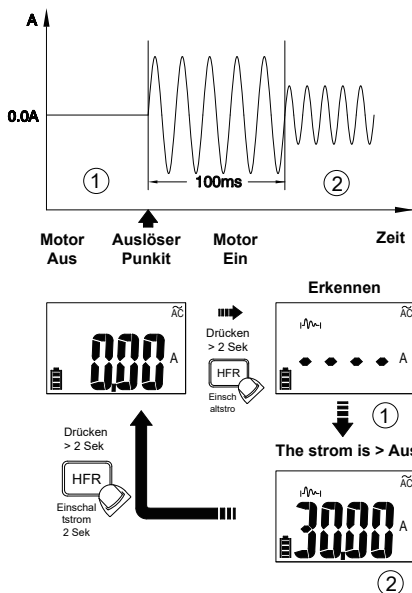


Warnung

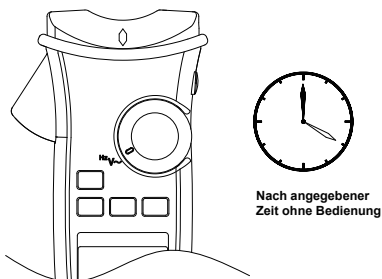
Die gefährliche Spannung kann vorhanden sein, auch wenn die LCD-Anzeige im HFR-Modus sehr niedrig ist. Prüfen Sie die Spannung erneut ohne HFR-Modus.

EINSCHALTSTROM

Wählen Sie im Einschaltstrommodus durch Drücken der Taste HFR/INRUSH den geeigneten Messbereich, bevor Sie die Einschaltstrommessung auslösen.

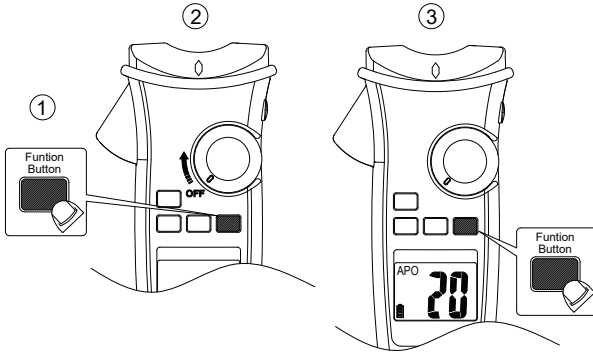


Automatische Abschaltung



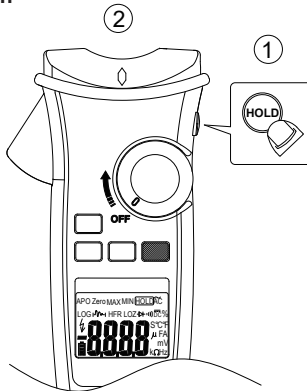
Wecken Sie das Messgerät auf, indem Sie den Schalter wählen oder eine beliebige Taste drücken.

Zeiteinstellung der automatischen Abschaltung



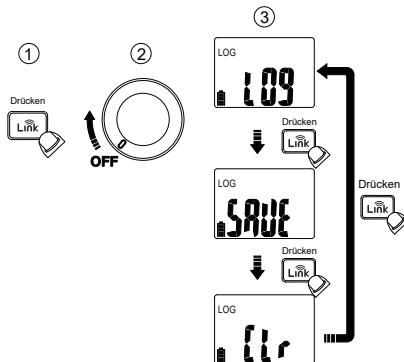
Drücken Sie die Funktionstaste und schalten Sie das Messgerät ein. Drücken Sie dann die Funktionstaste, um die Uhrzeit auszuwählen. Die Zeit kann 5 Minuten, 10 Minuten, 20 Minuten und deaktiviert (AUS) sein.

LCD-Monitor testen



Zum Einschalten des Messgeräts, nachdem Sie die Taste HALTEN gedrückt gehalten haben.

Funktion der LOG-Taste



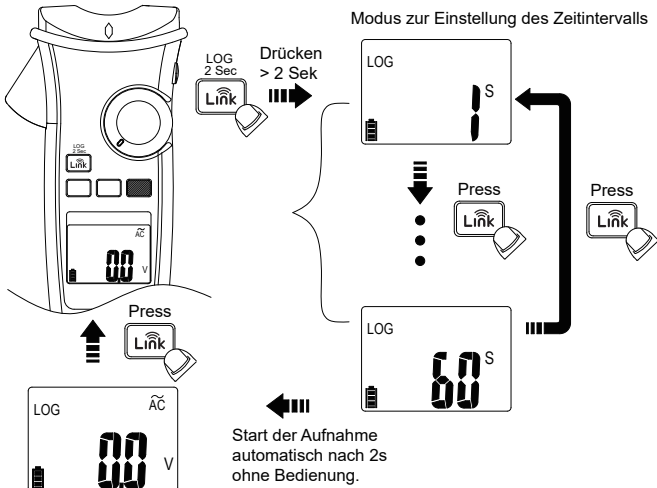
Drücken Sie die **Link** beim Einschalten, um den - Logger-Modus, den manuellen Speichermodus und den Speicher zu löschen.

Datenlogger

Das Messgerät kann bis zu 4000 Daten im Speicher ablegen.

Drücken Sie die **Link** für mehr als 2 Sekunden, um den Datenlogger-Modus zu aktivieren. Das Messgerät wechselt in den Modus zur Einstellung des Zeitintervalls.

Drücken Sie die **Link** erneut, um das Zeitintervall auszuwählen. Das Intervall kann 1 Sekunde, 5 Sekunden, 10 Sekunden, 30 Sekunden, 60 Sekunden betragen.

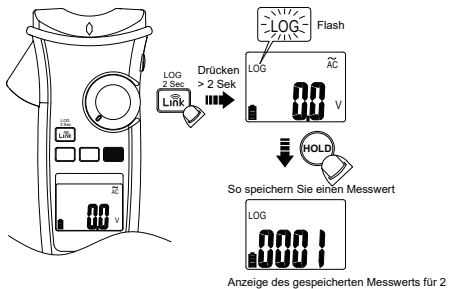


LOG-Symbol blinkt während der Aufzeichnung

! Achtung

Alle gespeicherten Daten werden beim nächsten Start gelöscht. Laden Sie die gespeicherten Daten bei Bedarf zunächst per App herunter.

Manueller Speichermodus



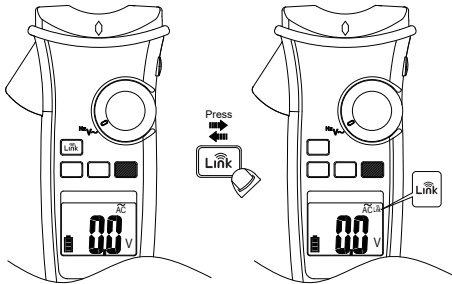
! Achtung

Alle gespeicherten Daten bleiben bis zum Wechsel in den Datenloggermodus oder bis zum Ausführen der LösCHFunktion gespeichert.

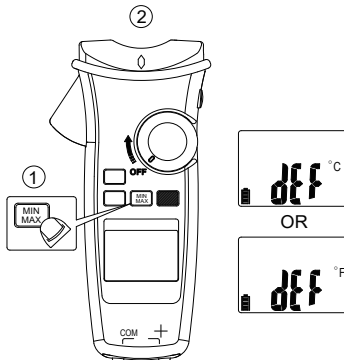
Link

Das Messgerät verwendet die drahtlose Technologie Bluetooth low energy (BLE) V4.0, um den Echtzeitmesswert und die gespeicherten Daten zu übertragen. Die Reichweite der Kommunikation im Freien beträgt bis zu 10 m.

Laden Sie die App „KPS Link“ über den folgenden QR-Code herunter. Schalten Sie die Bluetooth-Funktion des Messgeräts ein und öffnen Sie „KPS Link“, um das DMM zu verbinden. Das Bluetooth-Symbol des Messgeräts wird auf dem LCD eingefroren, nachdem die Verbindung erfolgreich hergestellt wurde.



Standardeinstellung der Temperatureinheiten

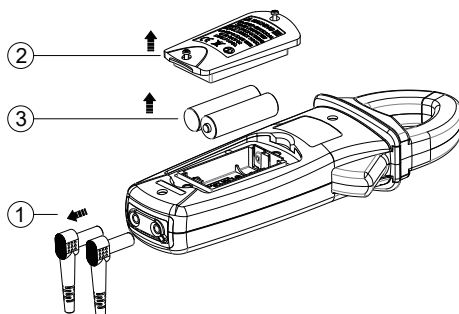


Schalten Sie das Messgerät ein, nachdem Sie die MIN/MAX-Taste gedrückt gehalten haben.

Schwache Batterie und Austausch der Batterie

Tauschen Sie die Batterie aus, sobald die Anzeige für niedrigen Batteriestand erscheint, um falsche Messwerte zu vermeiden.

Beziehen Sie sich auf die folgende Abbildung, um die Batterien zu ersetzen



⚠ ⚠ ACHTUNG

Entfernen Sie die Messleitungen vom Messgerät, bevor Sie die Batterieabdeckung oder das Gehäuse des Messgeräts öffnen.

Spezifikationen

Allgemeine Angaben

Display: 6000 Zählungen.

Anzeige der Bereichsüberschreitung: „OL“ oder „-OL“

Maßnahme: Abtastung 3-mal pro Sekunde.

Max. Leitergröße von JAW: 37mm Durchmesser für

Abmessungen (W x H x D): 62mm x 240mm x 41mm für

Gewicht: ca. 430g (inklusive Akku)

Anzeige für schwache Batterie:

Spannung fällt unter die Betriebsspannung blinkt.

Leistungsanforderung: Batterie Größe AA x 2 (R6, LR6, 15D, 15A)

Batterielebensdauer: 200 Stunden ALKALINE Batterie (ohne Hintergrundbeleuchtung)

Betriebstemperatur: -10 ~ 10°C

10°C ~ 30°C (≤80% RH),

30°C ~ 40°C (≤75% RH),

40°C ~ 50°C (≤45%RH)

Lagertemperatur:

-20°C bis 60°C, 0 bis 80 % relative Luftfeuchtigkeit (Batterien nicht eingesetzt)

Höhe: 6561,7 ft (2000 m)

CAT

Anwendungsbereich

II	Die Stromkreise, die direkt mit der Niederspannungsinstallation verbunden sind.
III	Die Gebäudeinstallation
IV	Die Quelle der Niederspannungsinstallation.

Sicherheit: EN 61010-1, EN 61010-2-032, EN 61010-2-033 für CAT III 1000V, CAT IV 600V, EN 61326-1

Fallschutz: 4 Fuß Fall auf Hartholz auf Betonboden

Vibration: Zufallsschwingungen nach MIL-PRF-28800F Klasse 2

Verschmutzungsgrad: 2

Verwendung in Innenräumen

Elektrische Spezifikationen

Die Genauigkeit wird als \pm (% des Messwerts + Zählerstände der niedrigstwertigen Stelle) bei $23^{\circ}\text{C} \pm 5^{\circ}\text{C}$ und einer relativen Luftfeuchtigkeit von weniger als 80 % r.F. angegeben und gilt für 1 Jahr nach der Kalibrierung.

(1) Temperaturkoeffizient

$0,2 \times$ (Spezifizierte Genauigkeit) / $^{\circ}\text{C}$, $< 18^{\circ}\text{C}$, $> 28^{\circ}\text{C}$

(2) AC Funktion

ACV- und ACA-Spezifikationen sind ac-gekoppelt, echte R.M.S.

Der Scheitelfaktor kann bis zu 3,0 betragen, da 4000 zählt.

Die Genauigkeit von Square Wave ist nicht spezifiziert.

Für nicht-sinusförmige Wellenformen, zusätzliche Genauigkeit durch Scheitelfaktor (C.F.):

Addieren Sie 3,0 % für C.F. 1,0 ~ 2,0

Addieren Sie 5,0 % für C.F. 2,0 ~ 2,5.

Addieren Sie 7,0 % für C.F. 2,5 ~ 3,0.

Max. Scheitelfaktor des Eingangssignals :

3,0 @ 3000 Zählungen

2,0 @ 4500 Zählungen

1,5 @ 6000 Zählungen

Der Frequenzgang wird für die Sinuswellenform angegeben.

LCD zeigt 0 Zählungen an, wenn der Messwert < 20 Zählungen ist.

(3) mV CC

Bereich	OL Lesung	Auflösung	Genauigkeit
600,0mV	660,0mV	0,1mV	$\pm(0,7\% + 5D)$

Eingangsimpedanz : $10\text{M}\Omega$

Überlastungsschutz : AC/DC 1000V

(4) Gleichspannung

Bereich	OL Lesung	Auflösung	Genauigkeit
600,0V	660,0V	0,1V	$\pm(0,7\% + 2D)$
1000V	1100V	1V	

Eingangsimpedanz : $10\text{M}\Omega$

Überlastungsschutz : AC/DC 1000V

(5) Wechselspannung

Bereich	OL Lesung	Auflösung	Genauigkeit
600,0V	660,0V	0,1V	$\pm(1,0\% + 5D)$
1000V	1100V	1V	

Eingangsimpedanz : $10\text{M}\Omega$ // weniger als 100pF

Frequenzgang : 45 ~ 400 Hz (Sinuswelle)

Überlastungsschutz : AC/DC 1000V

(6) PV Gleichspannung

Bereich	OL Lesung	Auflösung	Genauigkeit
600,0V	660,0V	0,1V	$\pm(2,0\% + 5D)$
2000V	2200V	1V	

Eingangsimpedanz : $10\text{M}\Omega$

Überlastungsschutz : AC/DC 1000V

(7) PV Wechselspannung

Bereich	OL Lesung	Auflösung	Genauigkeit
600,0V	660,0V	0,1V	±(2,0% + 5D)
1500V	1600V	1V	

Frequenzgang : 45 ~ 400 Hz (Sinuswelle)

Eingangsimpedanz : 10MΩ // weniger als 100pF

Überlastungsschutz : AC/DC 1000V

(8) AC / DC μA

Bereich	OL Lesung	Auflösung	Genauigkeit
400,0μA	440,0μA	0,1μA	±(1,0% + 3D)
4000μA	4400μA	1μA	

Eingangsimpedanz : Ca. 3kΩ

Frequenzgang : 45 ~ 400 Hz (Sinuswelle)

Überlastungsschutz : AC/DC 1000V

(9) Gleichstrom

Bereich	OL Lesung	Auflösung	Genauigkeit
60,00A	66,00A	0,01A	±(2,0% + 5D)
600,0A	660,0A	0,1A	

Der Messwert <5,0A, addieren Sie 10 dgt zur Genauigkeit.

Der Messwert >1000A, addieren Sie 0,5 % zur Genauigkeit.

Überlastungsschutz : AC/DC 600A

(10) Wechselstrom

Bereich	OL Lesung	Auflösung	Genauigkeit
60,00A	66,00A	0,01A	±(2,0% + 5D)
600,0A	660,0A	0,1A	

Addieren Sie 10 dgt zur Genauigkeit, wenn <5,0A.

Addieren Sie 0,5 % zur Genauigkeit, wenn >1000A.

Addieren Sie 1 % zur Genauigkeit, wenn >100Hz.

Frequenzgang : (Sinuswelle) 45 ~ 400Hz für ^ 1000A 45 ~ 65Hz für >1000A

Überlastungsschutz : AC/DC 600A

(11) Flexible Stromsonde

Bereich	Lecture OL	Auflösung	Genauigkeit
300,0A	330,0A	0,1A	±(1,5% + 5D)
3000A	3300A	1A	

Frequenzgang : 45Hz bis 400kHz

Die Genauigkeit beinhaltet nicht die Genauigkeit der flexiblen Stromsonde.

Überlastungsschutz : AC/DC 1000V

(12) Frequenz

Bereich	OL Lesung	Auflösung	Genauigkeit
100,00Hz	100,00Hz	0,01Hz	±(3,0% + 3D)
1000,0Hz	1000,0Hz	0,1Hz	
10,000kHz	10,000kHz	0,001kHz	

Mindestauflösung :

> 5V (für ACV 1Hz ~ 10kHz)

> 8A (für ACA 1 Hz ~ 1 kHz)

Minimale Frequenz : 1Hz**Überlastungsschutz :** AC/DC 1000V und 600A/1500A**(13) Hochfrequenzunterdrückung (HFR)**

Erhältlich für ACV, ACA und, Flexible Stromsonde.

Addieren Sie ± 4 % zur angegebenen Genauigkeit jeder Funktion und jedes Bereichs für 45 Hz bis 200 Hz.

Genauigkeit is nicht spezifiziert für > 200 Hz.

Grenzfrequenz (-3dB) : 800Hz

(14) Einschaltstrom

Erhältlich für ACA und Flexible Stromzange.

Auslöser level : $\geq 50d$.

Addieren Sie ± 3 % zur angegebenen Genauigkeit jeder Funktion und jedes Bereichs.

(15) Widerstand

Gamme	Lecture OL	Résolution	Précision
600,0Ω	660,0Ω	0,1Ω	±(0,9% + 5D)
6,000kΩ	6,600kΩ	0,001kΩ	±(0,9% + 2D)
60,00kΩ	66,00kΩ	0,00kΩ	
600,0kΩ	660,0kΩ	0,1kΩ	

Um ein genaueres Ergebnis zu erhalten, schließen Sie die Prüfspitzen kurz, um den Offset zu erhalten. Die Genauigkeitsangabe wird für das Ergebnis angegeben, von dem der Offset subtrahiert wird.

Überlastungsschutz : AC/DC 1000V**(16) Kontinuität**

Der eingebaute Summer ertönt, wenn der gemessene Widerstand kleiner als 20Q ist, und schaltet sich aus, wenn der gemessene Widerstand größer als 200Q ist, zwischen 20Q und 200Q kann der Summer entweder ertönen oder aus sein.

Kontinuitätsindikator : 2,7K Ton-Summer**Ansprechzeit des Summers :** < 100ms**(17) Diode**

Bereich	OL Lesung	Auflösung	Genauigkeit
1,500V	1,550V	0,001V	±(0,9% + 2D)

Leerlaufspannung : Ca. 1,8V**Überlastschutz :** AC/DC 1000V.

(18) Kapazität

Bereich	OL Lesung	Auflösung	Genauigkeit
100,0 μ F	110,0 μ F	0,1 μ F	$\pm(1,9\% + 2D)$
1000 μ F	1100 μ F	1 μ F	

Überlastungsschutz : AC/DC 1000V

(19) VoltSeek

Spannungsbereich der hohen Empfindlichkeit : 80V ~ 1000V (An der Oberkante des Kiefers)

Spannungsbereich der hohen Empfindlichkeit : 160V ~ 1000V (An der Oberkante des Kiefers)

(20) Temperatur

Bereich	OL Lesung	Auflösung	Genauigkeit
-40,0°C – 400,0°C	440,0°C	0,1°C	$\pm(1\% + 20D)$
-40,0°F – 752,0°F	824,0°F	0,1°F	$\pm(1\% + 36D)$

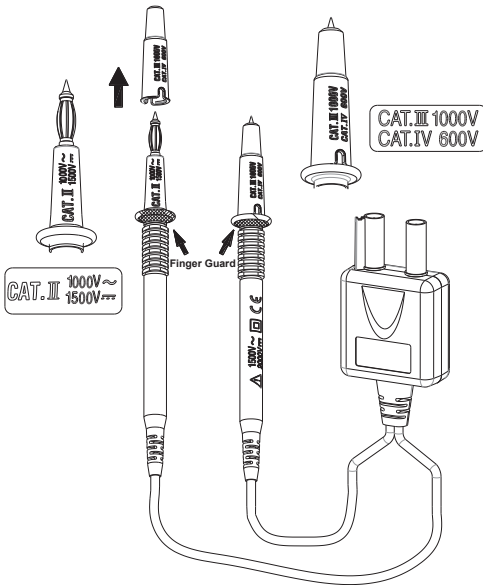
Die Genauigkeit beinhaltet nicht die Genauigkeit des Thermoelementfühlers.

Die Genauigkeitsspezifikation setzt eine stabile Umgebungstemperatur von $\pm 1^\circ\text{C}$ voraus. Bei Umgebungstemperaturänderungen von $\pm 2^\circ\text{C}$ gilt die Nenngenauigkeit nach 2 Stunden.

Überlastungsschutz : AC/DC 1000V

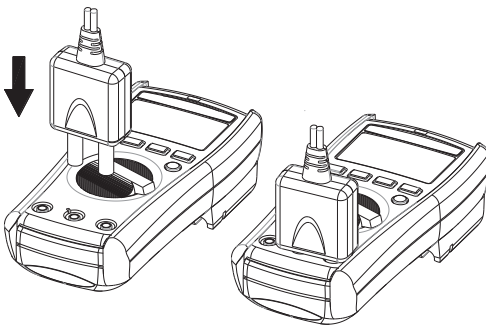
ATL-PV Messleitungen Anleitung

Schutzkappe für Tastspitze



Für CAT III- oder CAT IV-Umgebungen verwenden Sie die Messleitungen mit fest angebrachter Schutzkappe der Sondenspitze. Ohne die Schutzkappe für die Sondenspitze können die Messleitungen NUR in CAT II-Umgebung verwendet werden.

Für die Messung von 1500V AC & 2000V DC kann diese Messleitung nur in einer Umgebung verwendet werden, die nicht direkt an die Netzspannung angeschlossen ist.



⚠ Achtung

Stellen Sie sicher, dass die Messleitungen fest mit den V-COM-Klemmen des richtigen Geräts verbunden sind und das Gerät in den PV-Modus umschalten muss.

Warnung

- Wenn Sie Messleitungen oder Prüfspitzen verwenden, halten Sie Ihre Finger hinter dem Fingerschutz.
- Seien Sie vorsichtig bei Spannungen über 30 Vac rms, 42 Vac Spitze oder 60 Vdc. Diese Spannungen stellen eine Stromschlaggefahr dar.
- Wenn die Messleitung in einer Weise verwendet wird, die nicht vom Hersteller vorgeschrieben ist, kann der vom Gerät gebotene Schutz beeinträchtigt werden.
- Um das Risiko eines Brandes oder elektrischen Schlages zu verringern, verwenden Sie dieses Produkt nicht in der Nähe von explosivem Gas oder in feuchten Räumen.
- Verwenden Sie die Messleitungen NICHT, wenn die innere weiße Isolierschicht freigelegt ist.
- VERWENDEN Sie die Messleitungen NICHT über die maximalen Nennwerte von CAT. Umgebung, Spannung und Strom, die auf der Sonde und der Schutzkappe der Sondenspitze angegeben sind.
- Verwenden Sie die Messleitungen NICHT ohne die Schutzkappe für die Sondenspitze in CAT III- und CAT IV-Umgebungen.
- Verwenden Sie die Messleitungen NICHT zum Messen von über 1000 V, die direkt an MAINS angeschlossen sind.

Wartung

Versuchen Sie nicht, diesen Messleitungssatz zu reparieren. Es enthält keine vom Benutzer zu wartenden Teilen. Reparaturen oder Wartungsarbeiten sollten nur von qualifiziertem Personal durchgeführt werden.

Reinigung

Reinigen Sie die Messleitung mit Wasser und einem milden Reinigungsmittel. Verwenden Sie KEINE Scheuermittel oder Lösungsmittel und tauchen Sie das Gerät NICHT in Flüssigkeit ein.

Spezifikation

Eingangsimpedanz : 10M Ω

Überspannungskategorie : CAT 0 1500 V AC, 2000 V DC
 CAT II 1000V AC, 1500V DC
 CAT IV 1000V, CAT III 600V

Verschmutzungsgrad : 2

Länge der freiliegenden Sondenspitze : 19 mm bis 4 mm (0,75 Zoll bis 0,16 Zoll)

Umwelteinastufungen : -10°C bis 45°C (-4°F bis 113°F), 80 % r.F.

Höhe : 2000 m (6.562 ft)








Sicherheitsnorm : EN61010-031

CAT

Anwendungsbereich

0	Stromkreise, die nicht direkt mit dem Netz verbunden sind
II	Die Stromkreise, die direkt mit der Niederspannungsinstallation verbunden sind.
III	Die Gebäudeinstallation.
IV	Die Quelle der Niederspannungsinstallation.

Symbole wie auf der Messleitung und der Anweisungskarte angegeben

	Gefahr eines elektrischen Schlages		Siehe Gebrauchsanweisung
	DC Messung		AC Messung
	Erdung		Sowohl Gleichstrom als auch Wechselstrom
	Entspricht den EU-Richtlinien		Durch doppelte oder verstärkte Isolierung geschützte Geräte






Informazioni per la sicurezza

Comprendere e seguire attentamente le istruzioni per il funzionamento. Utilizzare il tester solo come


AVVERTENZA

- Se l'apparecchiatura viene utilizzata in un modo non specificato dal Costruttore, la protezione fornita dall'apparecchiatura può deteriorarsi.
- Utilizzare sempre i morsetti, la posizione dell'interruttore e la gamma appropriati per le misure
- Al fine di ridurre il rischio di scosse elettriche, non utilizzare questo Prodotto in presenza di gas esplosivi o in luoghi umidi.
- Verificare il funzionamento del Tester misurando una tensione conosciuta. In caso di dubbi, fare eseguire manutenzione al Tester.
- Non applicare una tensione superiore a quella nominale, come segnata sul Tester, fra i morsetti o fra un morsetto e La terra.
- Al fine di evitare false letture che possono provocare scosse elettriche e Lesioni, sostituire la batteria non appena l'indicatore di batteria quasi scarica lampeggia.
- Evitare di lavorare da soli, in modo da poter ricevere assistenza.
- Non utilizzare il tester se non funziona adeguatamente O se è umido.
- Si devono utilizzare dispositivi di protezione se elementi pericolosi sotto tensione nell'impianto in cui si deve eseguire la misura Possono essere accessibili.
- Disconnettere i conduttori di prova dai punti di test prima di cambiare la posizione dell'interruttore rotante delle funzioni.
- Non connettere mai una fonte di tensione quando l'interruttore rotante di Funzione non è in posizione tensione.
- Quando si utilizzano conduttori di prova o sonde, tenere le dita dietro le protezioni per le dita stessa.
- Agire con cautela con tensioni superiori a 30Vca rms, picco 42Vca , oppure 60 Vcc Queste tensioni generano un pericolo di scosse,
- Rimuovere il conduttore di prova prima di aprire la porta della batteria o la scatola del tester.
- NON UTILIZZARE i conduttori di prova quando lo strato bianco Di isolamento interno è esposto.
- NON UTILIZZARE i conduttori di prova sopra i valori max dell'ambiente CAT, tensione e corrente che sono indicati sulla sonda e sul coperchio di protezione della punta della sonda.
- NON UTILIZZARE i conduttori di prova senza la protezione della punta della sonda in ambienti CATI II e CAT IV.
- I gruppi sonda da utilizzare per misure della RETE PRINCIPALI devono essere CLASSIFICATI come appropriato per CATEGORIA DI MISURA III o IV conformemente a CEI 61010-031 e dovranno avere una CLASSIFICAZIONE di tensione di almeno la tensione del circuito da misurare.
- Disconnettere l'alimentazione del circuito e scaricare tutti i condensatori ad alta tensione prima di testare resistenza, continuità, diodi o capacitanza.
- Diseccitare l'impianto sottoposto a test oppure indossare gli indumenti appropriati durante il montaggio e la rimozione della Sonda Flessibile della Corrente.
- Non applicare o rimuovere da conduttore PERICOLOSI NON ISOLATI SOTTO TENSIONE, che possono provocare scosse elettriche, bruciate elettriche o colpi d'arco.

Simboli come contrassegnati sul Tester e sul manuale istruzioni

	Rischio di scosse elettriche		Vedere il manuale di istruzioni
	Misura cc		Misura ca
	Bluetooth		Corrente sia continua sia alternata
	Apparecchiatura protetta da isolamento doppio o rinforzato.		Batteria quasi scarica
			Terra
	L'applicazione e la rimozione da conduttori pericolosi sotto tensione è consentita.		Conforme alle direttive UE
			Non gettare via il prodotto

Tensione Non Sicura

Per segnalare la presenza di tensione potenzialmente pericolosa, quando il Tester rileva una tensione ≥ 30 V o un sovraccarico di tensione (OL) in V, mV, PV. Si visualizza il simbolo .

Manutenzione

Non cercare di riparare questo Tester. Non contiene parti su cui l'utente possa eseguire manutenzione. Le riparazioni o la manutenzione devono essere esclusivamente eseguite da personale qualificato.

Pulizia

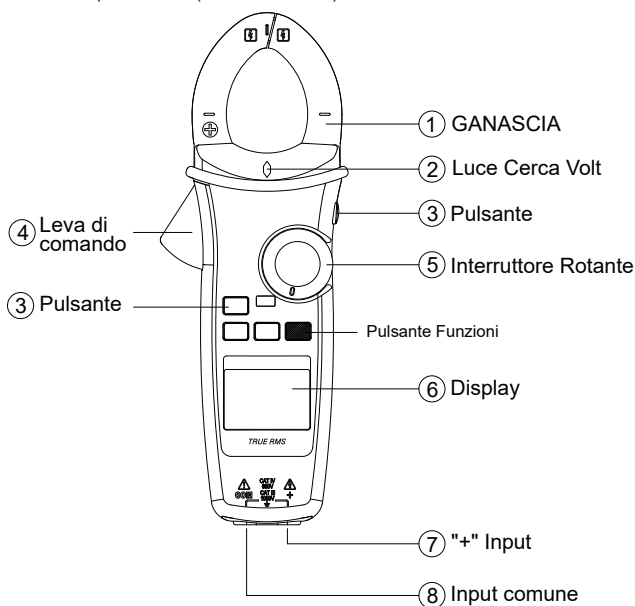
Strofinare periodicamente la scatola con un panno asciutto e detergente. Non utilizzare abrasivi o solventi.

Introduzione

Descrizione del Tester

Illustrazione del Pannello anteriore

1. GANASCIA
2. Luce cerca Volt
3. Pulsanti.
4. Leva di comando.
5. Interruttore rotante per Connettere/Disconnettere l'alimentazione e selezionare la funzione.
6. Display digitale a 6.000 conteggi
7. Morsetto di Input per Multi-funzione
8. Morsetto di Input Comune (Riferimento Terra)



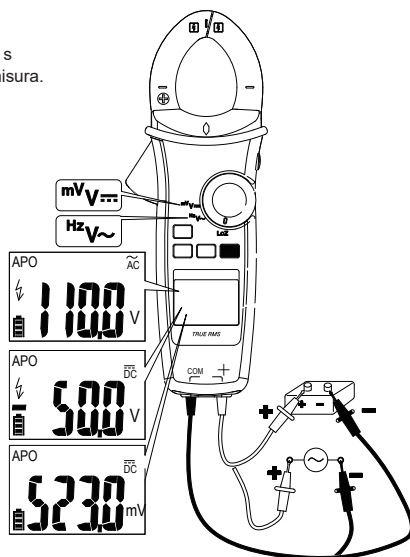
Eeguire Misure di Base

⚠ ATTENZIONE

Quando si connettono i conduttori di prova al DUT (Dispositivo In Prova) connettere i conduttori di prova comuni prima di connettere i conduttori di prova in tensione; quando si rimuovono i conduttori di prova, rimuovere i conduttori di prova in tensione prima di rimuovere i conduttori di prova comuni

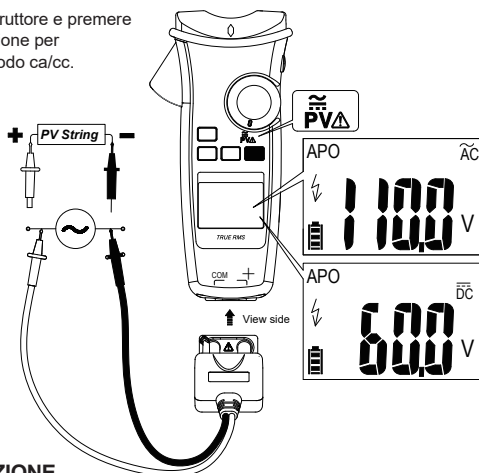
Misurare la Tensione

Impostare l'interruttore per selezionare la funzione di misura.



Misurare la Tensione PV

Impostare l'interruttore e premere il pulsante Funzione per selezionare il modo ca/cc.

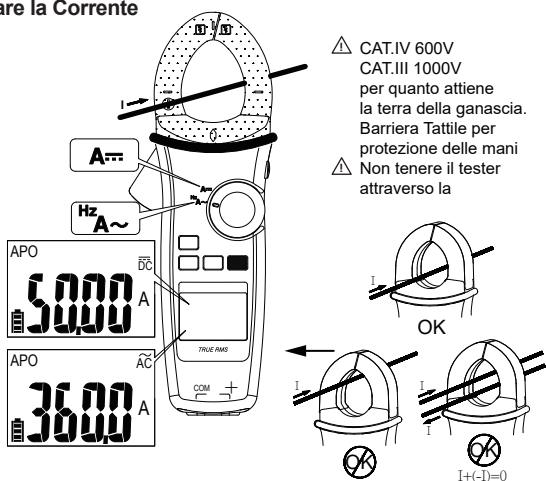


⚠ ATTENZIONE

Questa funzione è applicabile solo con la sonda di test dedicata PV verfügbar.

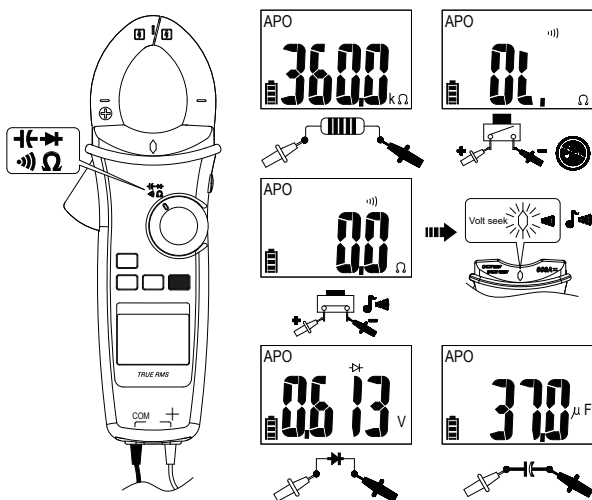
Selezionare sempre il corretto modo cc/ca per eseguire la misura di alta tensione. In questo tester lampeggerà il simbolo ⚡ e il simbolo di modalità corretta (ca/cc) se la tensione in ingresso è differente e pericolosa.

Misurare la Corrente



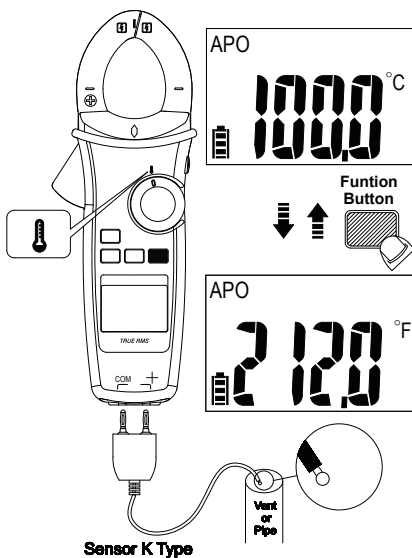
Impostare l'interruttore e premere il pulsante Funzione per selezionare il modo misura.
Nota : Quando la ganascia è aperta, la torcia sarà accesa.

Misurare Resistenza / Continuità / Capacitanza / Diode



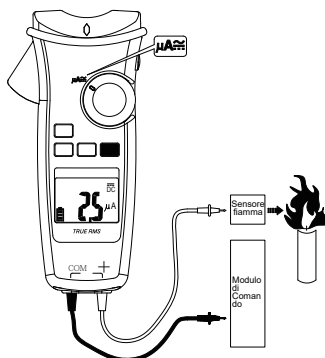
Impostare l'interruttore e premere il pulsante Funzione per selezionare il modo misura.

Misurare la Temperatura °C (°F)



Impostare l'interruttore e premere il pulsante Funzione per selezionare il modo °C/°F

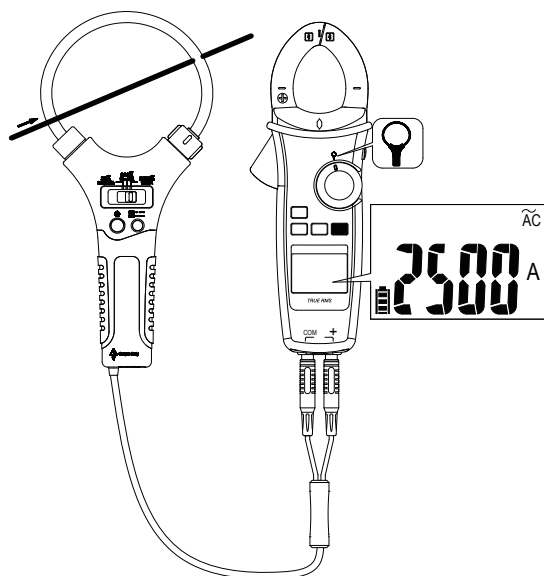
Misurare μA



Impostare l'interruttore e premere il pulsante Funzione per selezionare il modo ca/cc.

Misurare La Corrente con il Tester a Pinza Flessibile

Mantenere la gamma del Tester a Pinza Flessibile a un tasso di output 3000A/3V.



Funktion verwenden

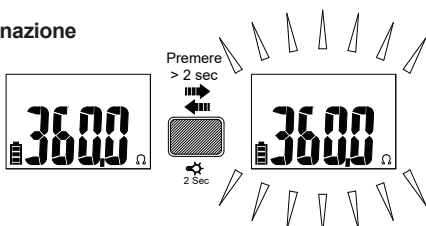
Posizione dell'Interruttore	Funzione
PV	$\overline{\text{DC}} \rightarrow \tilde{\text{AC}}$
V~	$\text{V}\sim \rightarrow \text{Hz}$
V $\overline{\text{DC}}$	$\text{V}\overline{\text{DC}} \rightarrow \text{mV}\overline{\text{DC}}$
A $\overline{\text{DC}}$	$\text{A}\overline{\text{DC}} \rightarrow \text{A}\sim \rightarrow \text{Hz}$
μA	$\overline{\text{DC}} \rightarrow \tilde{\text{AC}}$
Ω	$\Omega \rightarrow \text{diode} \rightarrow \text{capacitor} \rightarrow \text{resistor}$
\downarrow	$\text{C} \rightarrow \text{°F}$

Premere il pulsante Function per cambiare la funzione sulla stessa posizione dell'interruttore.

Misura della Frequenza

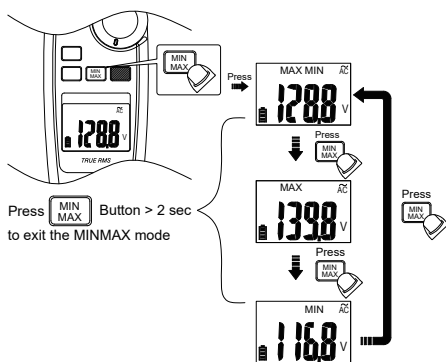


Retroilluminazione



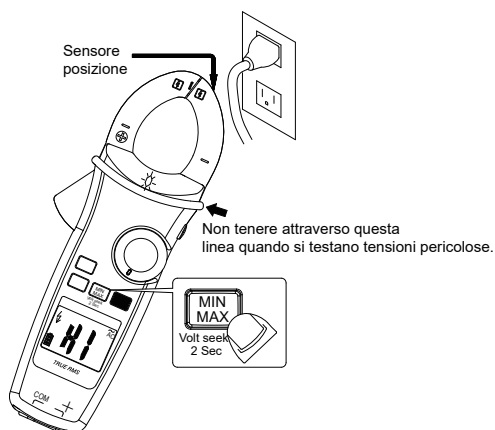
Premere il pulsante Function per più di 2 secondi per Accendere/Spegnere la Retroilluminazione.

MIN / MAX



La modalità MAX/MIN registra i valori di input min e max. Quando l'input va sotto il valore min registrato o sopra il valore max registrato, il tester registra il nuovo valore. Premere il pulsante Hold per mettere in pausa la registrazione.

Ricerca Volt

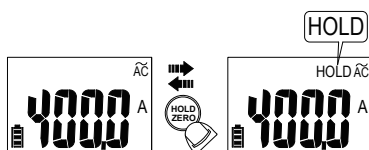


Premere il pulsante MIN/MAX per più di 2 sec. Per entrare o uscire dalla modalità Ricerca Volt. Premere il pulsante MIN/MAX per scambiare fra sensibilità alta/bassa.

⚠ Avvertenza

Il LED Ricerca Volt indica il campo elettrico. Se il LED Ricerca Volt non è acceso, la tensione potrebbe essere ancor presente.

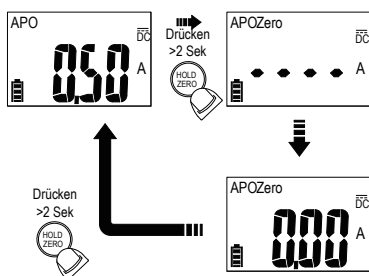
Smart Hold



Il tester emetterà un beep continuo e il display lampeggerà se il segnale misurato è superiore di 50 conteggi rispetto alla lettura del display (Tuttavia non può rilevare attraverso la Tensione/Corrente ca e cc).

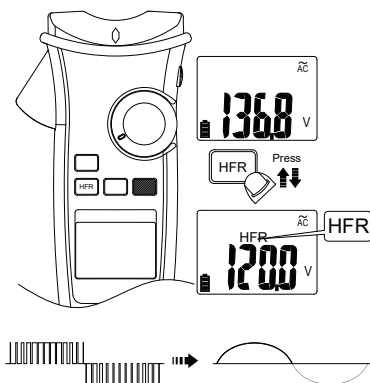
DCA ZERO

Rimuovere la ganaschia dal conduttore prima di eseguire DCA ZERO
Premere il pulsante HOLD per più di 2 secondi per compensare il magnetismo residuo.



Reiezione Alta Frequenza(HFR)

Nelle misure ca, il modo Reiezione Alta Frequenza è dotato di un filtro passa-basso. La frequenza di taglio (punto -3dB) del filtro passa-basso è 800Hz.

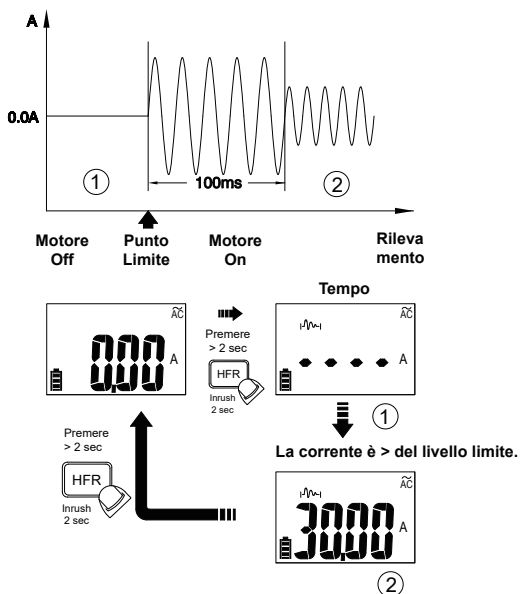


 **Avvertenza**

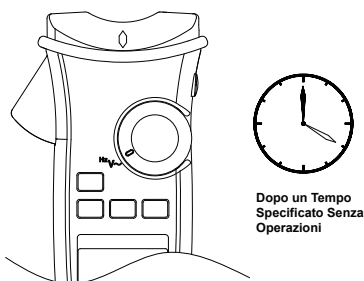
La tensione pericolosa può essere presente anche se letture di LCD sono molto basse in modalità HFR. Verificare di nuovo la tensione senza modalità HFR.

INRUSH

Nella modalità picco di corrente, selezionare la gamma appropriata di misura premendo il pulsante HFR/INRUSH prima di avviare la misura della corrente di picco.

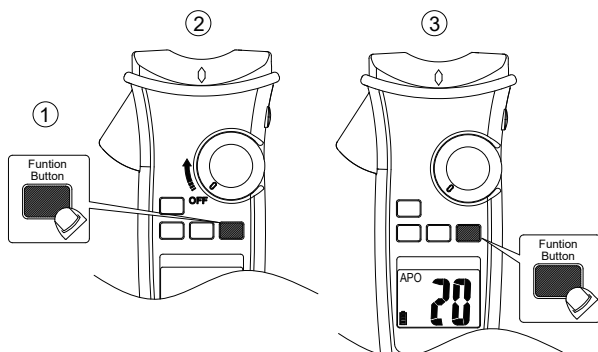


Spegnimento Automatico



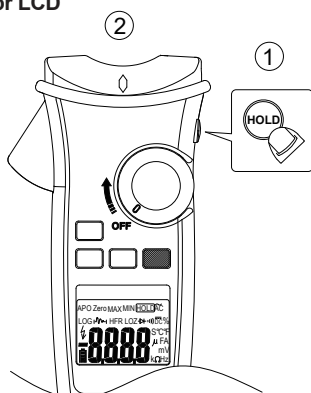
Risvegliare il tester impostando l'interruttore o premendo un pulsante qualsiasi.

Impostazione Tempo di Spegnimento Automatico



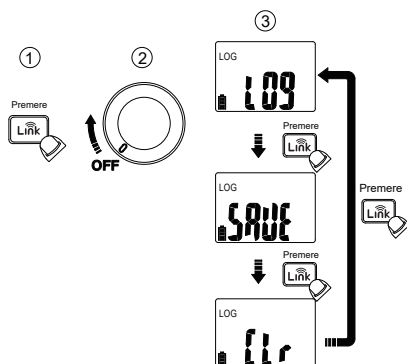
Premere il pulsante funzione e accendere il tester Quindi, premere il pulsante funzione per selezionare il tempo Il tempo può essere 5 minuti, 10 minuti, 20 minuti e disabilitato (OFF).

Verificare il Monitor LCD



Per accendere il tester dopo aver tenuto premuto il pulsante HOLD.

Funzione del Pulsante LOG



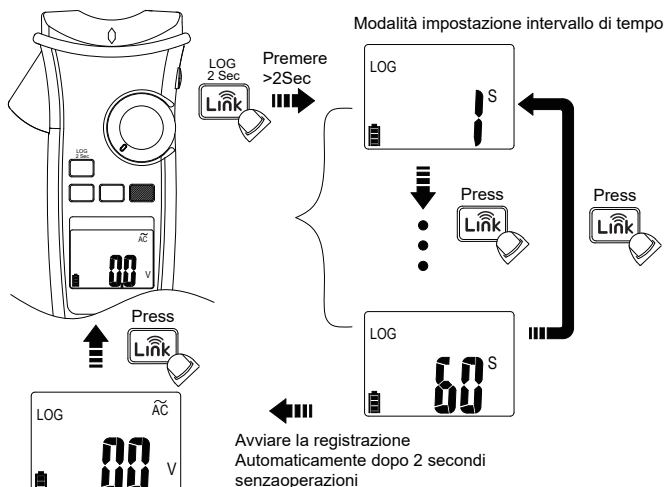
Premere il pulsante **Link** durante l'accensione per selezionare la modalità Registro, la modalità Salvataggio Manuale e Cancella memoria .

Registro Dati

Il tester può salvare in memoria fino a 4000 dati.

Premere il pulsante **Link** per più di 2 secondi per attivare la modalità Registro dati.

Il tester entrerà in modalità intervallo di Tempo Drücken Sie die **Link** erneut, um das Zeitintervall auszuwählen. Das Intervall kann 1 Sekunde, 5 Sekunden, 10 Sekunden, 30 Sekunden, 60 Sekunden betragen.

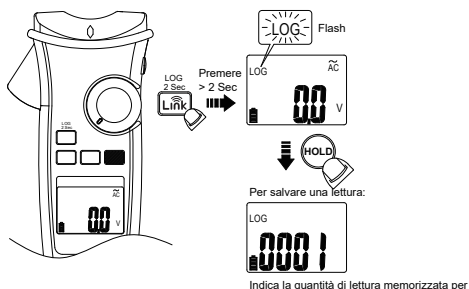


L'icona LOG lampeggia durante la registrazione

⚠ Attenzione

Tutti i dati saranno cancellati all'avvio successivo. Se necessario, scaricare i dati memorizzati mediante App.

Modalità Salvataggio Manuale



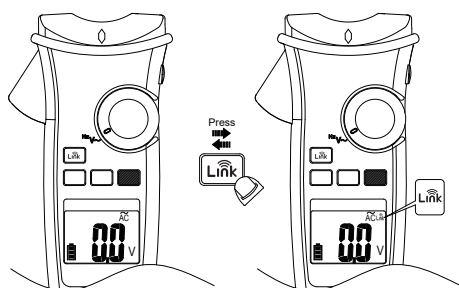
⚠ Attenzione

Tutti i dati memorizzati sono salvati fino a quando si passa alla modalità registro dati o si esegue la funzione di.

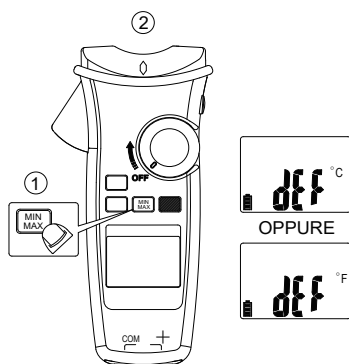
Link

Il tester utilizza la tecnologia Bluetooth a bassa energia (VLE) V4.0 senza file per trasferire in tempo reale la lettura e i dati memorizzati. La gamma di comunicazione all'aria aperta è fino a 10m.

Scaricare l'applicazione KPS Link® attraverso il Codice QR seguente. Accendere la funzione Bluetooth del tester e aprire "KPS Link" per connettere DMM. L'icona Bluetooth del tester si congelerà su LCD dopo che si è stabilita con successo la connessione.



Impostazioni Unità di Misura Default

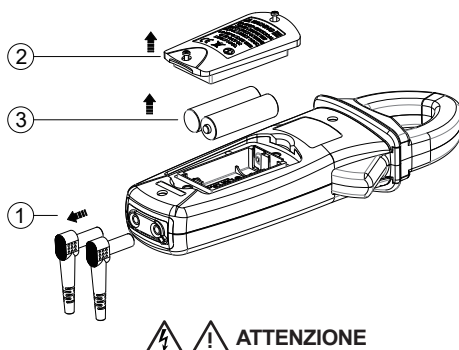


Accendere il tester dopo aver tenuto premuto il pulsante MIN/MAX.

Batteria Quasi Scarica e Sostituzione Batteria

Sostituire la batteria non appena compare l'indicatore batteria quasi scarica, al fine di evitare false letture.

Fare riferimento alla figura seguente per sostituire le batterie



Rimuovere i conduttori di prova prima di aprire la porta della batteria o la scatola del Tester.

Specifiche

Specifiche Generali

Display : 6000 conteggi.

Indicazione Fuori Gamma : "OL" oppure "-OL"

Misura : Campioni 3 volte al secondo.

Massima Dimensione del Conduttore della GANASCIA: Diametro 37mm

Dimensioni (W x H x D) : 62mm x 240mm x 41mm

Peso: circa 430g (batteria compresa)

Indicazione Batterie Quasi Scariche :

La tensione scende sotto la tensione di funzionamento  lampeggerà.

Requisiti di Potenza : Batteria di Dimensione AA x 2 (R6, LR6, 15D, 15A)

Durata di Vita della Batteria :

200 ore Batteria ALCALINA (senza Retroilluminazione)

Temperatura di Funzionamento : -10 ~10°C

10°C ~ 30°C (≤ 80% Umidità Relativa),

30°C ~ 40°C (≈75% RH),

40°C ~ 50°C (≈45%Umidità Relativa)

Temperatura di Stoccaggio :

Da -20°C a 60°C , da 0 a 80% Umidità relativa. (batterie non montate)

Altitudine : 6561,7 ft (2000m)

CAT

Campo di Applicazione

N	Circuite connessi direttamente a impianti a Bassa Tensione
M	Impianti di edifici.
W	Fonte dell'impianto a Bassa Tensione

Sicurezza : EN 61010-1, EN 61010-2-032, EN 61010-2-033 per CAT III 1000V, CAT IV 600V, EN 61326-1

Protezione Cadute : Caduta da 4 piedi su pavimento in legno duro in calcestruzzo

Vibrazioni : Vibrazioni Casuali secondo MIL-PRF-28800F Classe 2

Grado di inquinamento : 2

Utilizzo al Coperto

Specifiche Elettriche

La precisione è data come \pm (% di lettura + conteggi dei digit meno significativi) a $23^{\circ}\text{C} \pm 5^{\circ}\text{C}$, con umidità relativa inferiore all'80% R.H., ed è specificata per 1 anno dalla calibratura.

(1) Coefficiente di temperatura

$0,2 \times$ (Precisione Specificata) / $^{\circ}\text{C}$, $< 18^{\circ}\text{C} > 28^{\circ}\text{C}$

(2) Funzione ca

Le specifiche ACV e ACA sono accoppiato ca, vero R.M.S.

Il fattore di cresta può essere fino a 3.0 come 4000 conteggi.

La precisione non è specificata per Onda Quadra

Per forme d'onda non sinusoidali, Precisione Supplementare da

Fattore di Cresta (C.F.) :

Aggiungere 3,0% per C.F. 1,0 ~ 2,0.

Aggiungere 5,0% per C.F. 2,0 ~ 2,5.

Aggiungere 7,0% per C.F. 2,5 ~ 3,0.

Max. Fattore di Cresta del Segnale di Input :

3,0 @ 3000 conteggi

2,0 @ 4500 conteggi

1,5 @ 6000 conteggi

La Risposta di Frequenza è specificata per la forma d'onda sinusoidale

LCD visualizza 0 conteggi quando la lettura è < 20

(3) mV CC

Gamma	Lettura OL	Risoluzione	Precisione
600,0mV	660,0mV	0,1mV	$\pm (0,7\% + 5D)$

Impedenza input : 10M Ω

Protezione Sovraccarico : 1000V ca/cc

(4) Tensione cc

Gamma	Lettura OL	Auflösung	Precisione
600,0V	660,0V	0,1V	$\pm(0,7\% + 2D)$
1000V	1100V	1V	

Impedenza input : 10M Ω

Protezione Sovraccarico : 1000V ca/cc

(5) Tensione ca

Gamma	Lettura OL	Auflösung	Precisione
600,0V	660,0V	0,1V	$\pm(1,0\% + 5D)$
1000V	1100V	1V	

Impedenza input : 10M Ω // inferiore a 100pF

Risposta di frequenza : 45 ~ 400Hz (Onda Sinusoidale)

Protezione Sovraccarico : 1000V ca/cc

(6) Tensione PV DC

Gamma	OL Lesung	Auflösung	Precisione
600,0V	660,0V	0,1V	$\pm(2,0\% + 5D)$
2000V	2200V	1V	

Impedenza input : 10M Ω

Protezione Sovraccarico : 1000V ca/cc

(7) Tensione PV AC

Gamma	Lettura OL	Risoluzione	Precisione
600,0V	660,0V	0,1V	±(2,0% + 5D)
1500V	1600V	1V	

Risposta di frequenza : 45 ~ 400Hz (Onda Sinusoidale)

Impedenza input : 10MΩ // inferiore a 100pF

Protezione Sovraccarico : 1000V ca/cc

(8) μA ca/cc

Gamma	Lettura OL	Risoluzione	Precisione
400,0μA	440,0μA	0,1μA	±(1,0% + 3D)
4000μA	4400μA	1μA	

Impedenza input : Circa 3kΩ

Risposta di frequenza : 45 ~ 400Hz (Onda Sinusoidale)

Protezione Sovraccarico : 1000V ca/cc

(9) Corrente cc

Gamma	Lettura OL	Risoluzione	Precisione
60,00A	66,00A	0,01A	±(2,0% + 5D)
600,0A	660,0A	0,1A	

Il valore misurato <5.0A, aggiungere 10 digit alla precisione.

Il valore misurato <1000A, aggiungere 0,5% alla precisione.

Protezione Sovraccarico : ca/cc 600A

(10) Corrente ca

Gamma	Lettura OL	Risoluzione	Precisione
60,00A	66,00A	0,01A	±(2,0% + 5D)
600,0A	660,0A	0,1A	

Aggiungere 10 digit alla precisione quando <5,0A.

Aggiungere 0,5% alla precisione quando <1000A.

Aggiungere 1% alla precisione quando >100Hz.

Risposta di frequenza : (Onda Sinusoidale) 45 ~ 400Hz per $\geq 1000A$

45 ~ 65Hz per >1000A

Protezione Sovraccarico : ca/cc 600A

(11) Sonda Corrente Flessibile

Gamma	Lecture OL	Auflösung	Genauigkeit
300,0A	330,0A	0,1A	±(1,5% + 5D)
3000A	3300A	1A	

Risposta di frequenza : Da 45Hz a 400Hz

La precisione non comprende la precisione della Sonda di Corrente Flessibile

Protezione Sovraccarico : 1000V ca/cc

(12) Frequenza

Gamma	Letture OL	Risoluzione	Precisione
100,00Hz	100,00Hz	0,01Hz	±(0,3% + 3D)
1000,0Hz	1000,0Hz	0,1Hz	
10,000kHz	10,000kHz	0,001kHz	

Sensibilità Minima

> 5V (per ACV 1Hz ~ 10kHz)

> 8A (per ACA 1Hz ~ 1kHz)

Frequenza Minima : 1Hz**Protezione Sovraccarico** : ca/cc 1000V e 600A/1500A**(14) HFR (Reiezione Alta Frequenza)**

Disponibile per ACV, ACA e Sonda Corrente Flessibile.

Aggiungere ± 4% alla precisione specificata di ogni funzione e ogni gamma da 45Hz a 200Hz.

La precisione non è specificata per > 200Hz.

Frequenza di Taglio (-3dB) : 800Hz

(15) Corrente di Picco

Disponibile per ACA e Sonda Corrente Flessibile.

Livello limite: ≥ 50d.

Aggiungere ± 3% alla precisione specificata di ogni funzione e ogni gamma

(15) Resistenza

Gammae	Lecture OL	Résolution	Précision
600,0Ω	660,0Ω	0,1Ω	±(0,9% + 5D)
6,000kΩ	6,600kΩ	0,001kΩ	±(0,9% + 2D)
60,00kΩ	66,00kΩ	0,00kΩ	
600,0kΩ	660,0kΩ	0,1kΩ	

Per ottenere più risultati di precisione, mettere in corto le sonde di prova per ottenere lo sfasamento. La specifica di precisione è specificata per il risultato per cui si sottrae lo sfasamento

Protezione Sovraccarico : 1000V ca/cc**(16) Continuità**

Der eingebaute Summer ertönt, wenn der gemessene Widerstand kleiner als 20Q ist, und schaltet sich aus, wenn der gemessene Widerstand größer als 200Q ist, zwischen 20Q und 200Q kann der Summer entweder ertönen oder aus sein.

Kontinuitätsindikator : 2,7K Ton-Summer**Ansprechzeit des Summers** : < 100ms**Protezione Sovraccarico** : 1000V ca/cc**(17) Diode**

Gamma	Letture OL	Risoluzione	Precisione
1,500V	1,550V	0,001V	±(0,9% + 2D)

Tensione Circuito Aperto : Circa 1,8V**Protezione Sovraccarico** : 1000V ca/cc

(18) Capacitanza

Gamma	Lettura OL	Risoluzione	Precisione
100,0 μ F	110.0 μ F	0,1 μ F	$\pm(1,9\% + 2D)$
1000 μ F	1100 μ F	1 μ F	

Protezione Sovraccarico : 1000V ca/cc

(20) Ricerca Volt

Gamma di Tensione di Alta Sensibilità : 80V ~ 1000V (Sull'estremità superiore della ganascia)

Gamma di Tensione di Bassa Sensibilità : 160V ~ 1000V (Sull'estremità superiore della ganascia)

(20) Temperatura

Gamma	Lettura OL	Risoluzione	Precisione
-40,0°C – 400.0°C	440,0°C	0,1°C	$\pm(1\% + 20D)$
-40,0°F – 752.0°F	824,0°F	0,1°F	$\pm(1\% + 36D)$

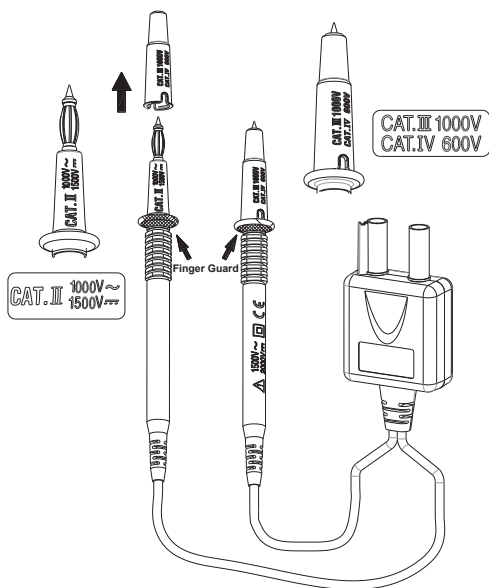
La precisione non comprende la precisione della sonda termocoppia.

La specifica della precisione suppone temperatura circostante stabile a $\pm 1^\circ\text{C}$. Per cambiamenti di temperatura circostante di $\pm 2^\circ\text{C}$, si applica la precisione nominale dopo 2 ore.

Protezione Sovraccarico : 1000V ca/cc2

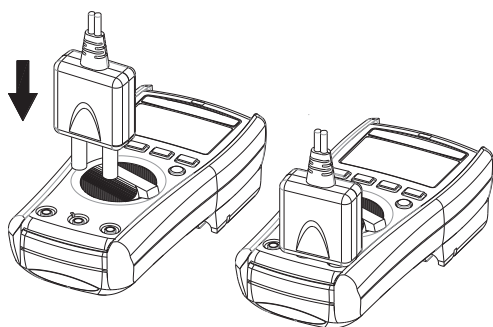
Istruzioni Conduttori di Prova ATL-PV

Coperchio di protezione punta della sonda



Per ambienti CAT III o CAT IV, utilizzare i conduttori di prova con il coperchio di protezione della punta della sonda fissato saldamente. Senza il coperchio di protezione della punta della sonda, i conduttori di prova possono essere utilizzati SOLO in ambiente CAT II

Per misure da 1500V ca & 2000V cc, questo.



⚠ Attenzione

Accertarsi che i conduttori di prova siano saldamente connessi ai morsetti V-COM del corretto strumento, e lo strumento deve passare alla modalità PV.

**Avvertenza**

- Quando si utilizzano conduttore di prova o sonde, tenere le dita dietro le protezioni per le dita stessa.
- Agire con cautela con tensioni superiori a 30Vca rms, picco 42Vca , oppure 60Vcc. Queste tensioni generano un pericolo di scosse,
- Se il conduttore di prova è utilizzato in un modo non specificato dal costruttore, si può danneggiare la protezione offerta dall'apparecchiatura stessa.
- Al fine di ridurre il rischio di scosse elettriche, non utilizzare il prodotto in presenza di gas esplosivi o in luoghi umidi.
- NON UTILIZZARE i conduttori di prova quando lo strato di isolamento è esposto.
- NON UTILIZZARE i conduttori di prova sopra i valori max CAT dell'ambiente tensione e corrente che sono indicati sulla sonda e sul coperchio di protezione della punta della sonda.
- NON UTILIZZARE i conduttori di prova senza la protezione della punta della sonda in ambienti CATI II e CAT IV.
- NON UTILIZZARE i conduttori di prova per misurare tensioni superiori a 1000V che siano connesse direttamente alla RETE PRINCIPALE.

Manutenzione

Non cercare di riparare questo set di conduttori di prova. Non contiene parti su cui l'utente possa eseguire manutenzione. Le riparazioni o la manutenzione devono essere esclusivamente eseguite da personale qualificato.

Pulizia

Pulire il conduttore di prova con acqua e con un detergente dolce. NON utilizzare abrasivi o solventi e NON IMMERGERE nel liquido.

Specifiche

Impedenza input : 10M Ω

Categoria di Sovratensione : CAT 0 1500V ca, 2000V cc
CAT II 1000V ca, 1500V cc
CAT III 1000V, CAT IV 600V

Grado di Inquinamento : 2

Lunghezza della punta esposta della sonda: Da 19 mm a 4 mm (da 0,75" a 0,16")

Valori ambientali : da -10°C a 45°C (da -4°F a 113°F), 80% Umidità Relativa (R.H.)

Altitudine. 2000 m (6.562 ft)

Normative di Sicurezza : EN61010-031

CAT**Campo di Applicazione**

0	Circuiti che non siano connessi direttamente alla Rete Principale
II	Circuite connessi direttamente a impianti a Bassa Tensione
III	Impianti di edifici.
IV	Fonte dell'impianto a Bassa Tensione

Simboli come contrassegnati sul conduttore di prova

	Rischio di scosse elettriche		Vedere la Scheda di istruzioni
	Misura cc		Misura ca
	Terra		Corrente sia continua sia alternata
	Conforme alle direttive UE		Apparecchiatura protetta da isolamento doppio o rinforzato.





DIREKTRONIK

Direktronik AB tel. 08-52 400 700 www.direktronik.se