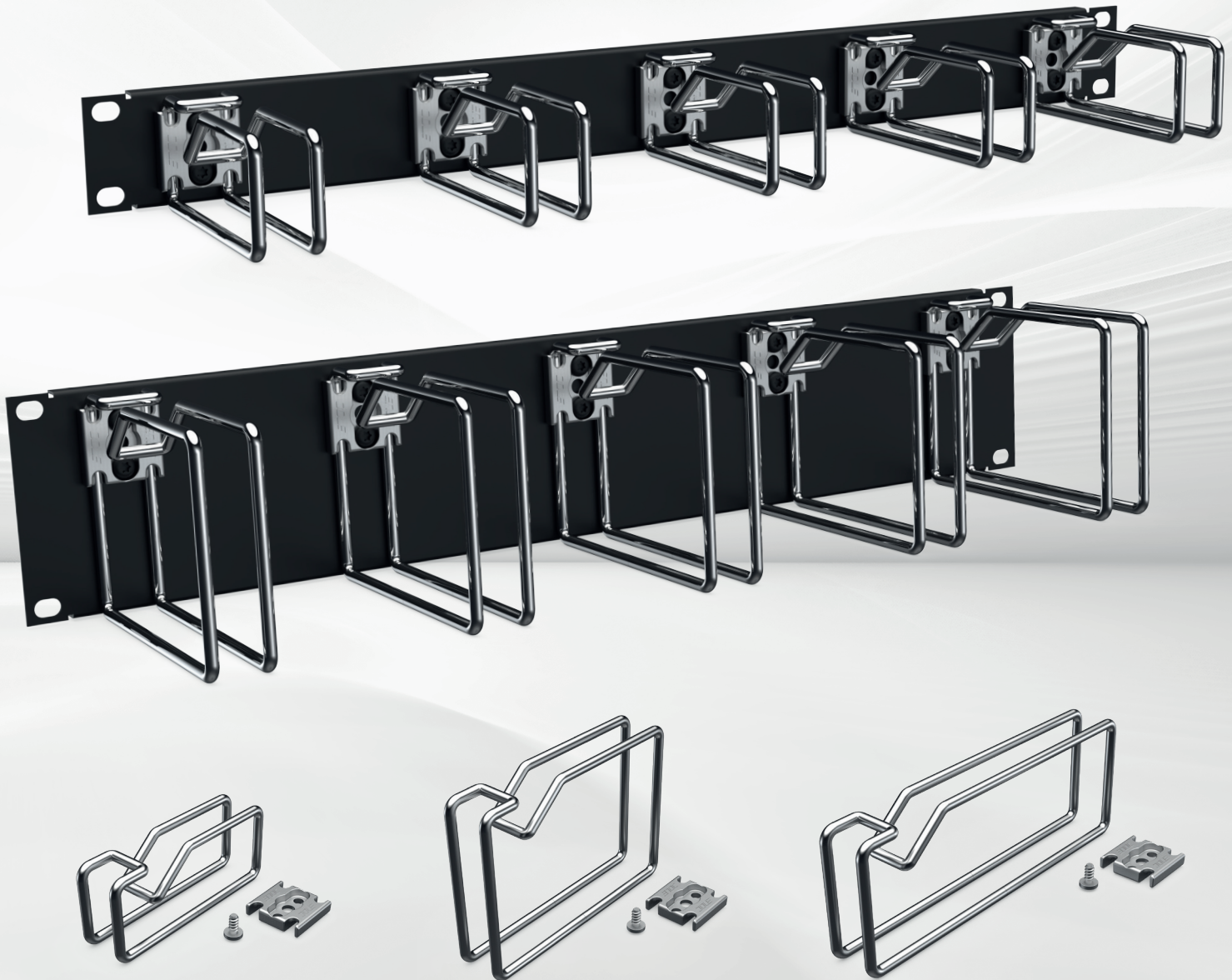


NEW!



ENOC CPM/KBM

HIGH END CABLE MANAGEMENT



We can now introduce our new range of high-end cable management system.
For flexible and self-guided routing together with an attractive look.

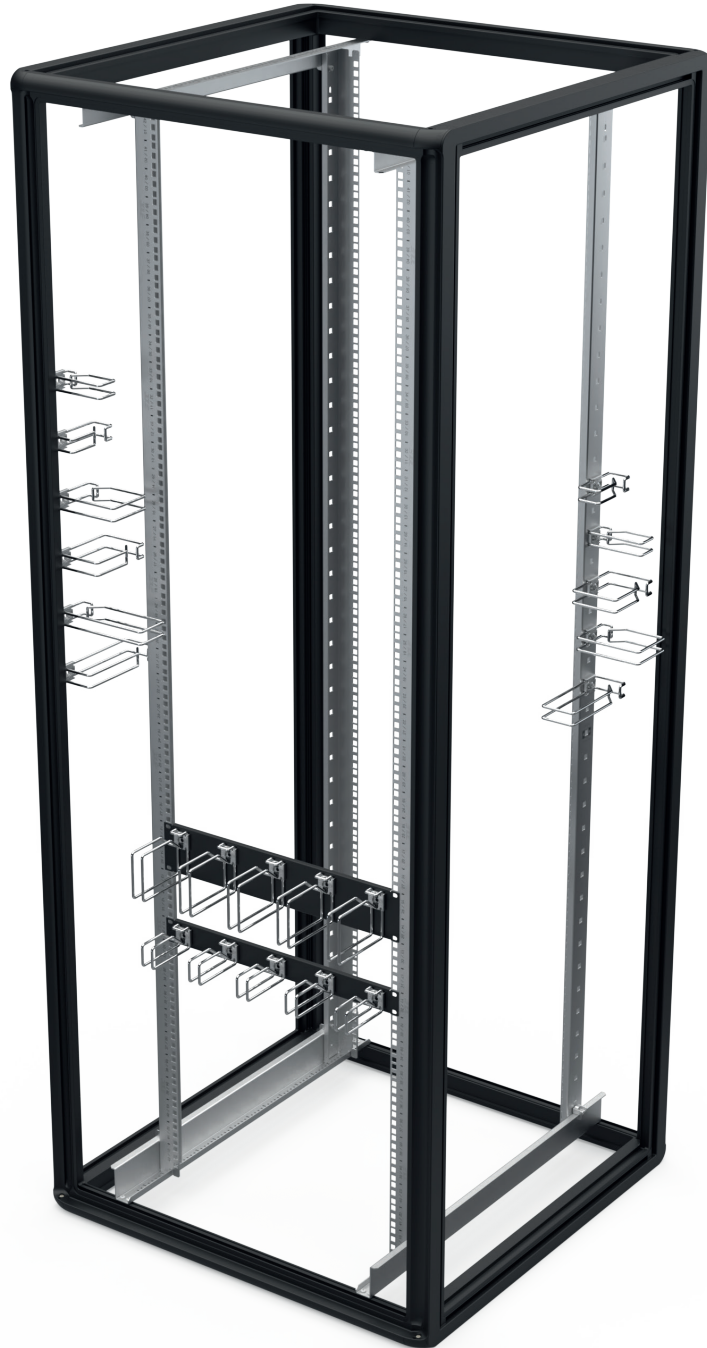
ENOCSYSTEM.COM

ENOC

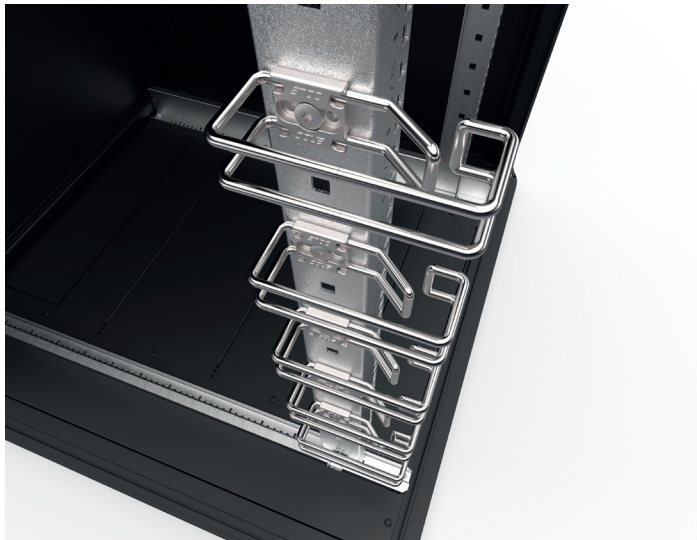
DETAILS MAKE THE DIFFERENCE



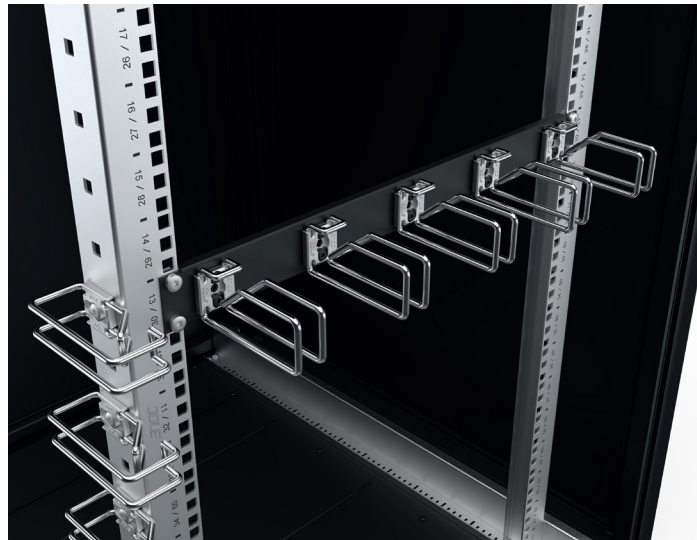
CPM HIGH END CABLE MANAGEMENT SOLUTION WITH A 19" HORIZONTAL BACK PANEL.
AVAILABLE IN EITHER 1HU OR 2HU VERSION.



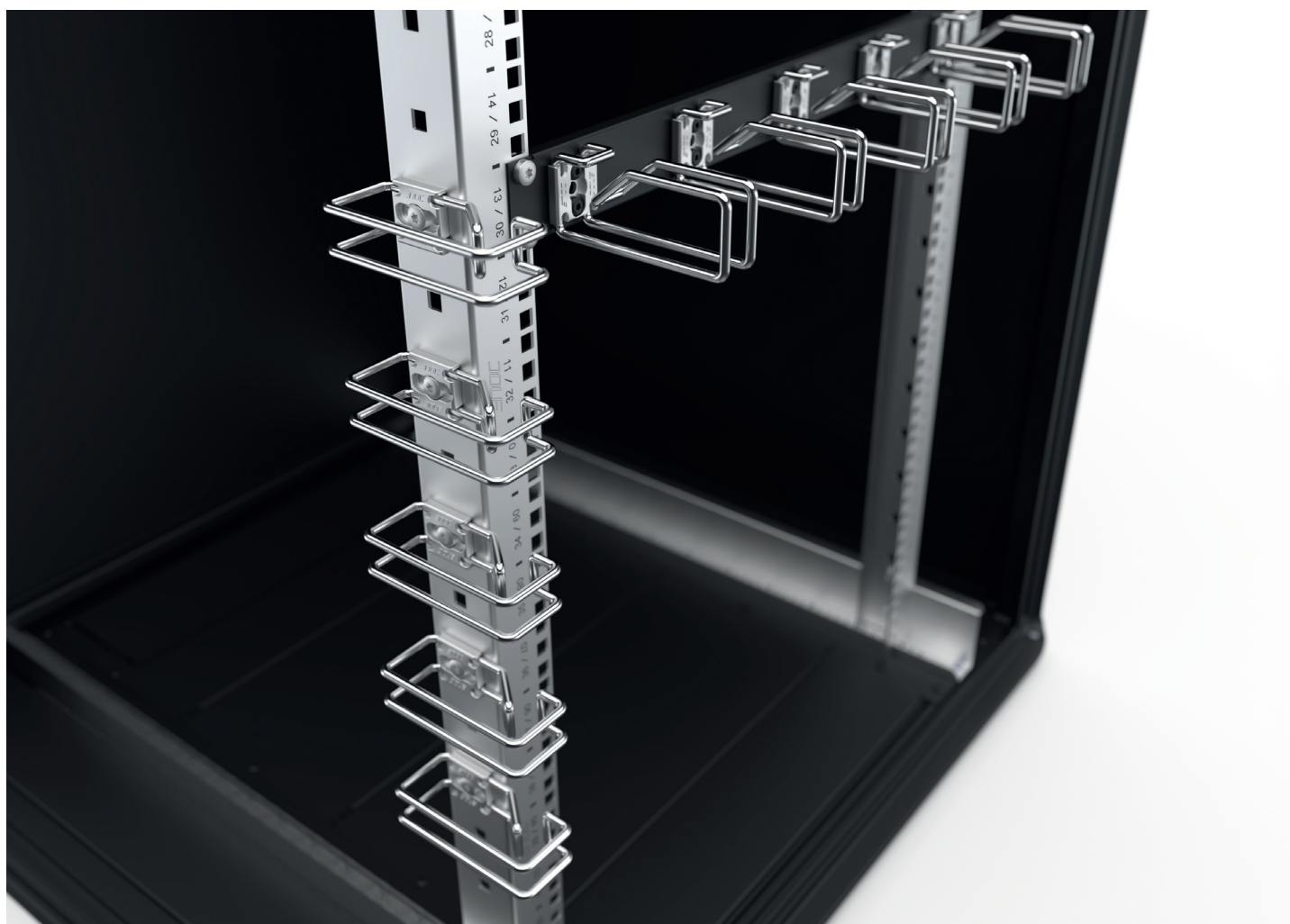
We can now introduce our new range of high-end cable management system.
For flexible and self-guided routing together with an attractive look.
Complement your horizontal cable routing with the stylish 19" cable panel called CPM.



KBM 01



CPM01 + KBM 01



CPM 01 + KBM 01



CPM CABLE PANEL METAL

CPM 01

High end cable management solution with a 19" horizontal back panel.
Available in either 1HU or 2HU version.

- 19" 1HU fixing panel. Black RAL 9005.
- 5 pieces of metal cable rings. Zinc treated.
- Cable ring depth 105 mm.
- Cable ring height 44 mm.
- Cable ring thickness 5 mm.



TECHNICAL DATA

NAME	ART. NO	EAN	WxDxH (mm)	HU
CPM 01-S	54631	7330701027604	482x 105x44	1

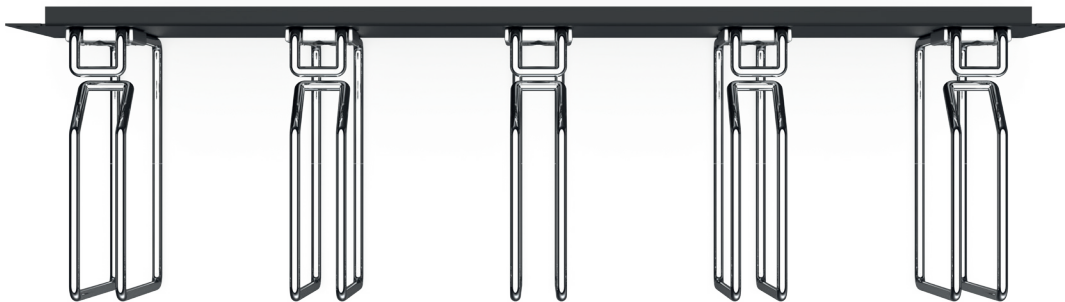


CPM CABLE PANEL METAL

CPM 02

High end cable management solution with a 19" horizontal back panel.
Available in either 1HU or 2HU version.

- 19" 2HU fixing panel. Black RAL 9005.
- 5 pieces of metal cable rings. Zinc treated.
- Cable ring depth 125 mm.
- Cable ring height 88 mm.
- Cable ring thickness 5 mm.



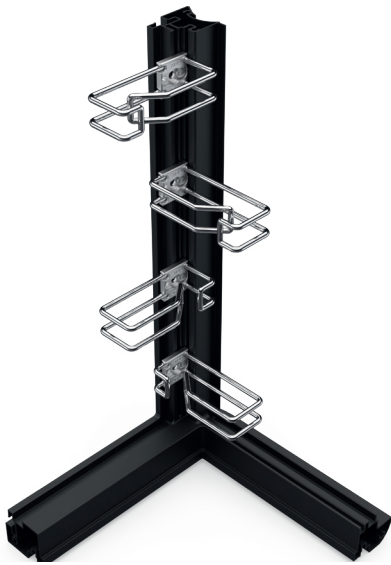
TECHNICAL DATA

NAME	ART. NO	EAN	WxDxH (mm)	HU
CPM 02-S	54632	7330701027611	482x105x88	2

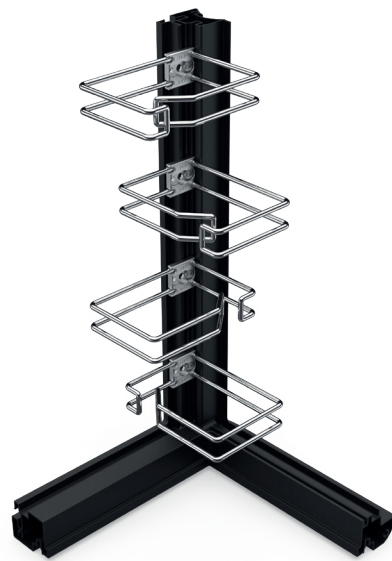


KBM 01 / 02 / 03 CABLE RING METAL

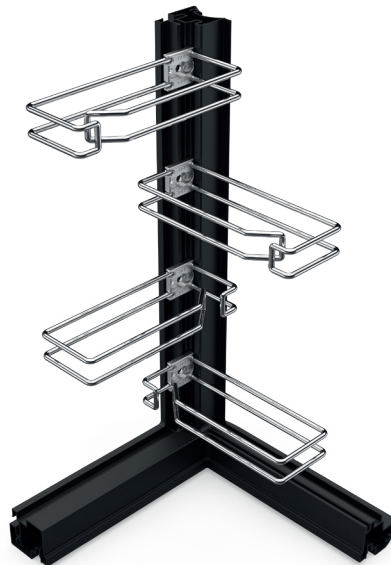
New KBM package which contains zinc treated cable rings together with the associated zinc-die cast holder for the ring. With this product you can adapt your cable routing even further. For vertical cable routing choose to either mount them on the side of the 19-inch profiles or directly on the enclosures corner uprights. The design of the cable ring holder makes it also possible to mount the cable ring in different angles. Select the position on the cable ring which works best for your solution. There are 3 different sizes on the cable ring to choose from depending on how big the cable volume is.



KBM 01



KBM 02



KBM 03



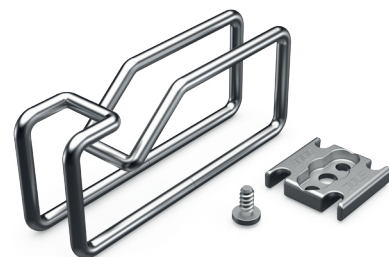
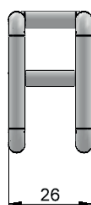
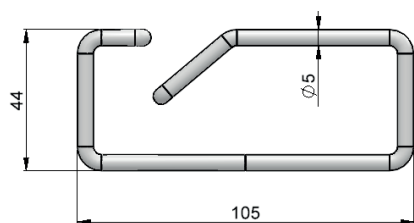
KBM 01 / 02 / 03 CABLE RING METAL

KBM

Cable ring adapted to be applied at the side of the 19-inch profiles or directly on the enclosures corner uprights. For flexible and self-guided cable routing.

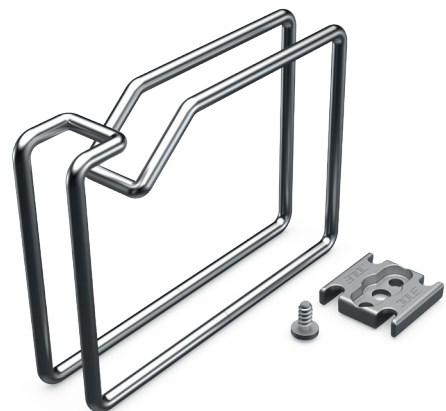
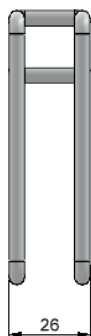
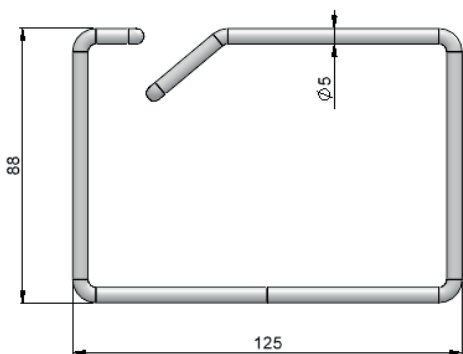
Packages containing:

- Cable ring, wire zinc treated
- Cable ring holder, die-cast zinc
- Screw for mounting on the corner upright, (Screw + cage nut for 19" profiles (not included))



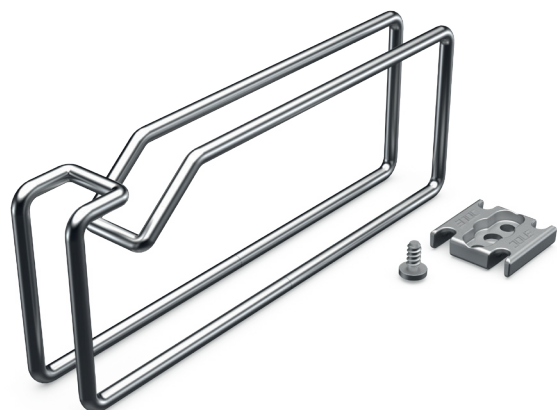
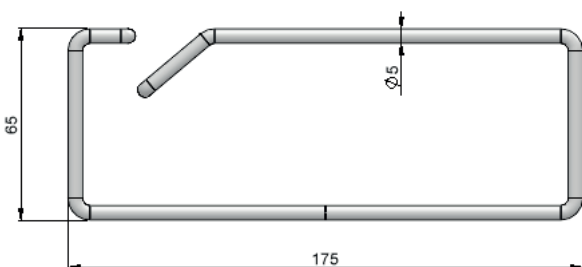
TECHNICAL DATA

NAME	ART. NO	EAN	E NUMBER	WxDxH (mm)	PACKS OF
KBM 01	54637	7330701027659	2506381	26 x 105 x 44	10 PCS



TECHNICAL DATA

NAME	ART. NO	EAN	E NUMBER	WxDxH (mm)	PACKS OF
KBM 02	54638	7330701027666	2506382	26 x 125 x 88	10 PCS



TECHNICAL DATA

NAME	ART. NO	EAN	E NUMBER	WxDxH (mm)	PACKS OF
KBM 03	54639	7330701027673	2506383	26 x 175 x 65	10 PCS



DETAILS MAKE THE DIFFERENCE

A unique modular system with endless possibilities. Meaning superb flexibility in design, construction, details and manufacturing to meet our customer's needs. That's what we call "The Enoc Way".