

1

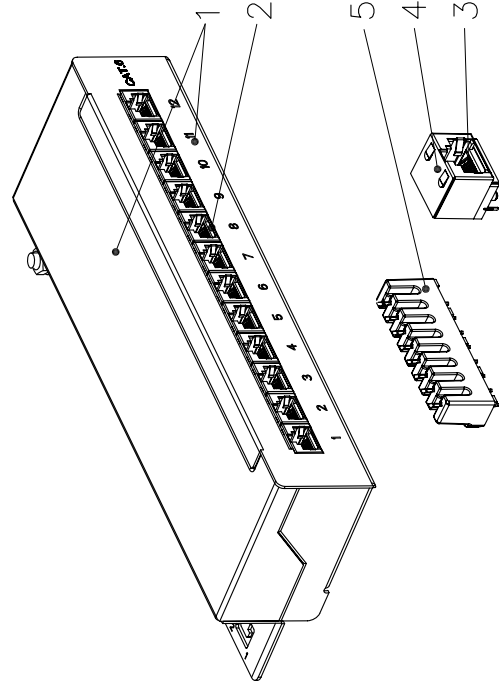
2

3

4

5

6



KRONE 45° IDC

RJ45
RIGHT ANGLE JACK

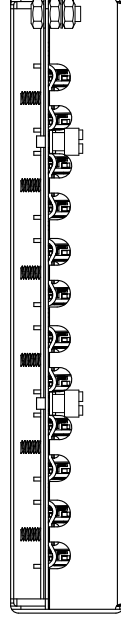
SCALE 1/3

Specification :

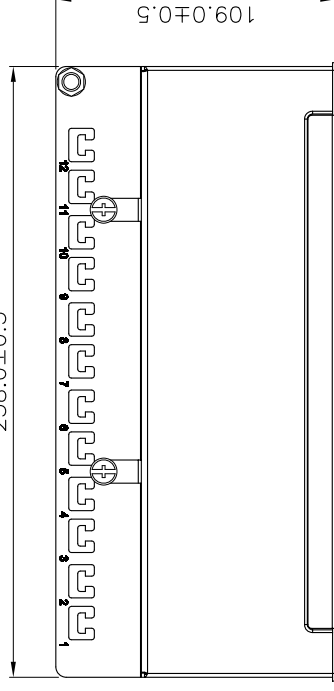
- Material :**
1. Panel : SECC, 1.2 mm thickness with optional color painted.
 2. RJ45 Jack :
 - 2-1. Housing : PBT+Glass Fiber, UL 94V-0.
 - 2-2. Contact Bracket : PBT+Glass Fiber, UL 94V-0.
 3. RJ45 Jack Contact :
 - 3-1. Material : Phosphor Bronze with Nickel plated.
 - 3-2. Finish : 50 micro-inch Gold plated on Plug contact area.
 4. RJ45 Jack Shield : Bronze With Nickel plated.
 5. IDC :
 - 5-1. Housing : PC+Glass Fiber, UL 94V-2.
 - 5-2. Terminal : Phosphor Bronze with Tin plated.
 6. PCB : FR4, UL 94V-0.

Performance :

- T568A & T568B wiring sticker on PCB.
- Insertion force : 30N max. (IEC 60603-7-5)
- Retention strength : 7.7 kg between Jack and Plug.
- Operating temperature : -10°C to 60°C. (ISO/IEC 11801, ANSI/TIA 568 C.2)
- Life(mating cycles) :
 - *Jack : 750 cycles min. (ISO/IEC 11801, IEC 60603-7-5)
 - *IDC : Suitable for 22-26 AWG stranded and solid wire, Compatible with Krone punch down tool.
- The Cat.6 transmission performance is in compliance with the ANSI/TIA 568 C.2 standard.

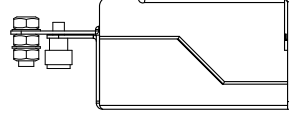
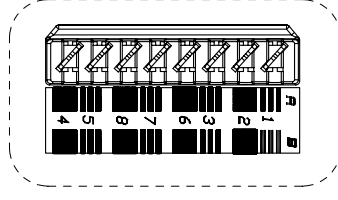


238.0±0.5



109.0±0.5

241.0±0.5



GENERAL
TOLERANCE
OF
DIMENSIONS
X.XXX ±0.005
X.XX ±0.05
X.X ±0.1

DRAWING	12.APR.2012	WENJUN	
CHECK	12.APR.2012	JANE	
APPROVAL	12.APR.2012	JAIMY	
	DATE	NAME	
SCALE	1/3 (A4)	UNIT	mm

DRAWING NO. : AGAD0212144101		ITEM NO. : AGAD0212144101	
DRAWING CLASSIFICATION : S		DES. : CAT.6 FULL SHIELDED PATCH PANEL	

DRAWING NO. : AGAD0212144101		SM12ABC6FS-KRCBK(SA1)	
DRAWING CLASSIFICATION : S		SHEET 1 OF 1	

JYH ENG
TECHNOLOGY CO., LTD

1

2

3

4

5

6

10cm