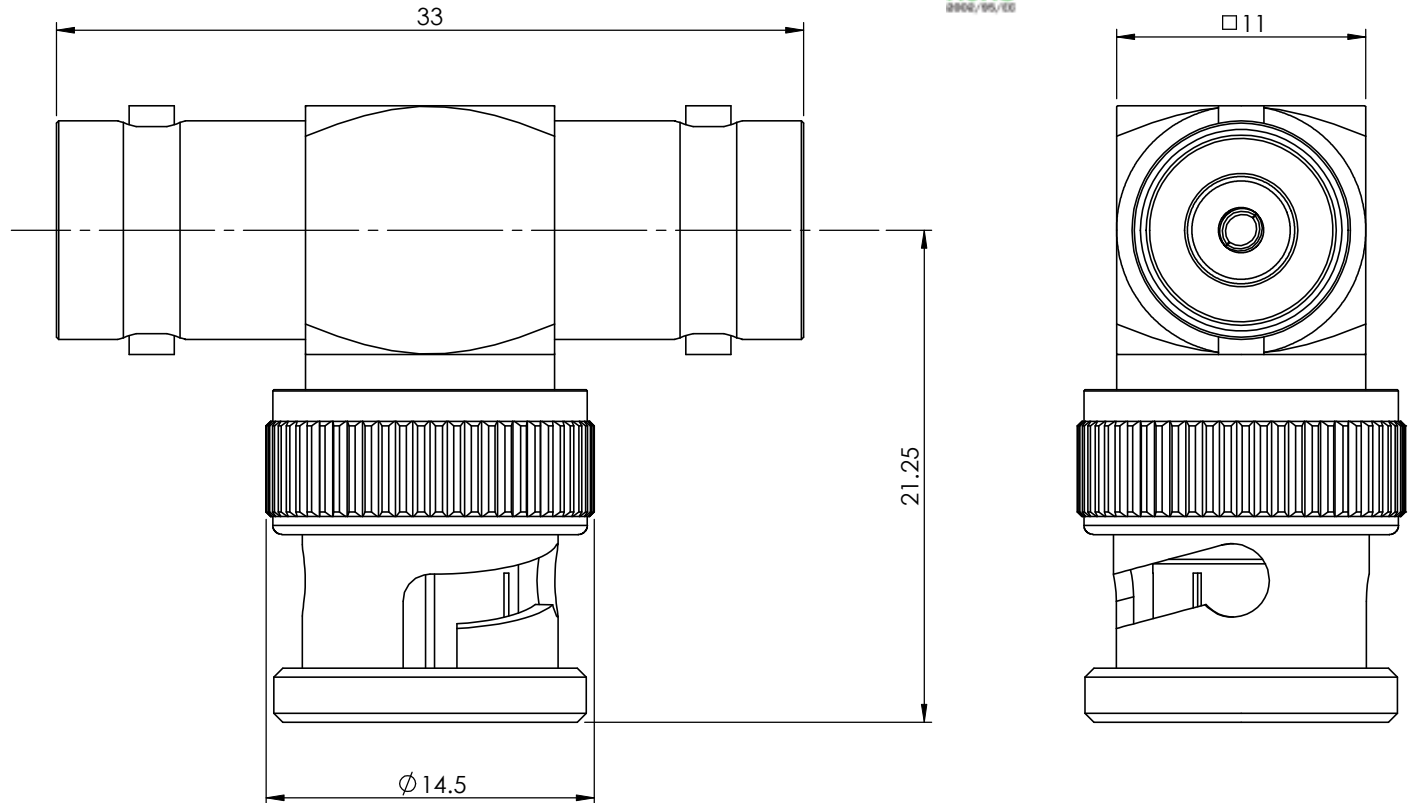


DO NOT SCALE DRAWING



Electrical Specification

Impedance: 50 Ohm
 Frequency: TBC
 Dielectric W/V: TBC
 Insulation res: TBC

Mechanical Specification

Centre contact retention
 Axial Force: 10N min
 Cable Retention: N/A
 Mating cycles: 500

Environmental Specification

Operating Temp: TBC

Tooling

Centre Contact: N/A
 COAX Tool No:
 Crimp Sleeve: N/A
 COAX Tool No:



13	FEMALE CENTRE CONTACT	BRASS	GOLD
12	JACK INSULATOR	DELTRIN	N/A
11	RETAINING RING	BRASS	NICKEL
10	JACK BODY	BRASS	NICKEL
9	PLUG REAR INSULATOR	DELTRIN	N/A
8	MALE CONTACT	BRASS	GOLD
7	WASHER	Fe	NICKEL
6	SPRING	SK5	NICKEL
5	RETAINING RING	SK5	NICKEL
4	GASKET	RUBBER	N/A
3	PLUG INSULATOR	DELTRIN	N/A
2	PLUG BODY	BRASS	NICKEL
1	COUPLING NUT	ZINC	NICKEL
ITEM	DESCRIPTION	MATERIAL	PLATING

DIREKTRONIK

A4 DIMENSIONS ARE IN MILLIMETERS			
	NAME	SIGNATURE	DATE
DRAWN	GE		31/03/2010
CHK'D	IG		31/03/2010
APPV'D			

THE INFORMATION IS GIVEN AS AN INDICATION ONLY AND IS SUBJECT TO CHANGE WITHOUT NOTICE. IN THE CONTINUAL GOAL TO IMPROVE OUR PRODUCTS, WE RESERVE THE RIGHT TO MAKE ANY MODIFICATIONS NECESSARY WITHOUT PRIOR NOTICE.

Description BNC "T" ADAPTOR (TURNED) JACK/PLUG/JACK

Part Number 20105708