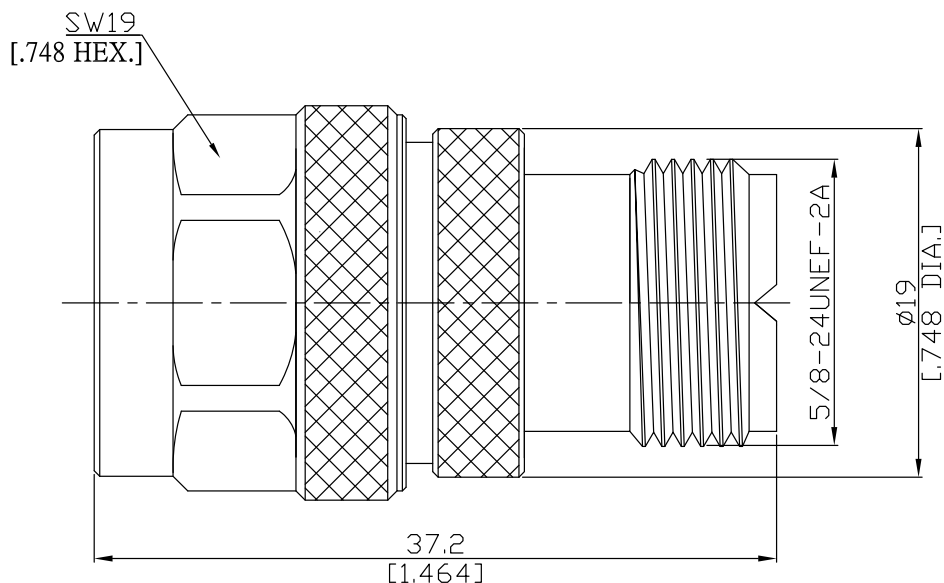


Adaptor plug/jack
N plug (male) / UHF jack (female)



All dimensions are in mm [inch]

Tolerances according to DIN ISO 2768-mH

Interface

N side according to

MIL-C-39012; MIL-STD-348A/304

UHF side according to

IEC 60169-12

Electrical Data

Impedance

N (50 Ω); UHF (non-constant)

Frequency

DC to 300 MHz

Mechanical Data

Coupling mechanisms

N (Screw-lock) ; UHF (Screw-lock)

Weight

0.0371 kg

Environmental Data

Temperature range

-55°C to +149°C

RoHS

compliant

Material And Plating

Piece Parts (N)	Material	Plating
Centre contact	Brass	Gold plating(Nickel underplated)
Body	Brass	Copper-Tin-Zinc Alloy
Insulator	PTFE	
Gasket	Silicone Rubber	
Coupling nut	Brass	Copper-Tin-Zinc Alloy
Piece Parts (UHF)	Material	Plating
Centre contact	Beryllium Copper	Gold plating(Nickel underplated)
Body	Brass	Copper-Tin-Zinc Alloy
Insulator	PTFE	

Packing

Single or 100