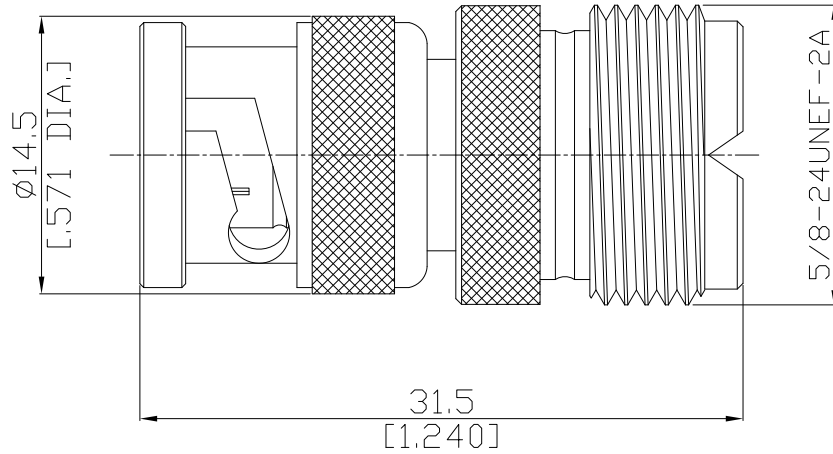


Item nr 20105017

Technical Data Sheet

Adaptor plug/jack  
BNC plug (male) / UHF jack (female)



All dimensions are in mm [inch]  
Tolerances according to DIN ISO 2768-mH

**Interface**

According to MIL-C-39012 ; MIL-STD-348A/301

**Electrical Data**

Impedance BNC (50 Ω) ; UHF (non-constant)  
Frequency DC to 300 MHz

**Mechanical Data**

Coupling mechanisms BNC (Bayonet-lock) ; UHF (Screw-lock)  
Weight 0.0157 kg

**Environmental Data**

Temperature range -55°C to +149°C  
RoHS compliant

**Material And Plating**

Piece Parts (BNC)	Material	Plating
Centre contact	Phosphor Bronze	Gold plating(Nickel underplated)
Body	Brass	Copper-Tin-Zinc Alloy
Insulator	PTFE	
Gasket	Silicone Rubber	
Coupling nut	Brass	Copper-Tin-Zinc Alloy
Piece Parts (UHF)	Material	Plating
Centre contact	Phosphor Bronze	Gold plating(Nickel underplated)
Body	Brass	Copper-Tin-Zinc Alloy
Insulator	PTFE	

**Packing**

Single or 100

The facts and figures herein are carefully compiled to the best of our knowledge, but they are intended for general informational purposes only. In the effort to improve our products, we reserve the right to make changes judged to be necessary.

Rev.:-
Date: 19/11/10