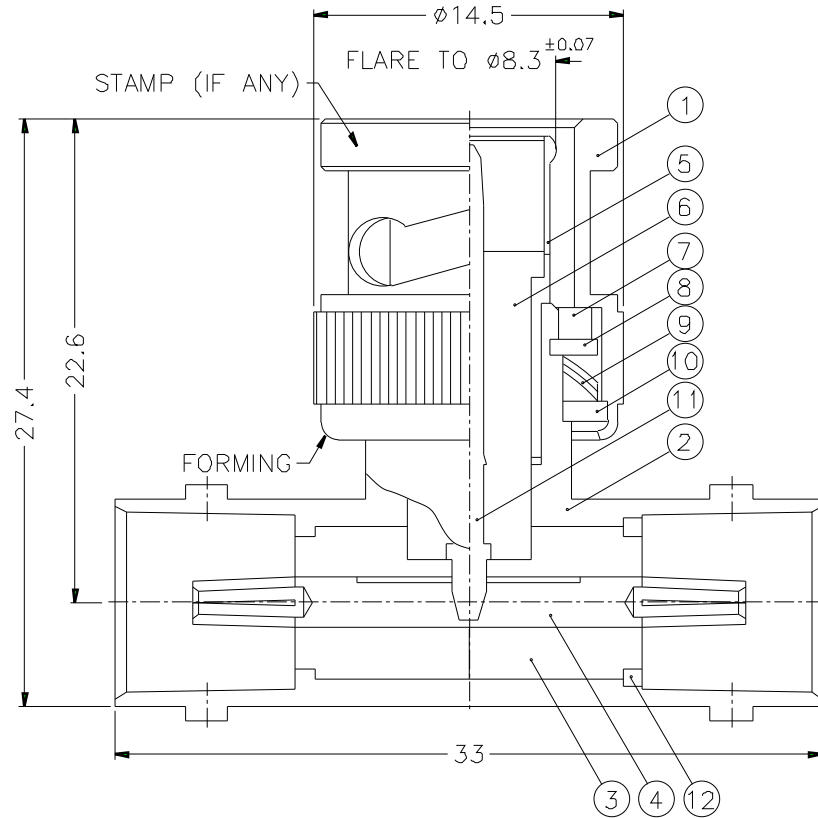


DIREKTRONIK



NOTES: FINISH (PLATING THICKNESS IN MICRO-INCHES)

1. BRASS PER QQ-B-626
2. BRASS PER QQ-B-613
3. NICKEL PL. 100 MIN. THICK OVER COPPER STRIKE
4. NICKEL PL. 200 MIN. THICK OVER COPPER STRIKE
5. NICKEL PL. 100 MIN. THICK OVER COPPER PL. 300 MIN. THICK
6. PHOSPHOR BRONZE PER QQ-B-750
7. GOLD PL. 3 MIN. THICK OVER NICKEL PL. 100 MIN. THICK OVER COPPER STRIKE
8. ZINC DIECAST

12	LOCK RING	NOTE 2	NOTE 3	1	B7700-4
11	CONTACT PIN	NOTE 1	NOTE 7	1	B9073D1-11-B
10	WASHER	NOTE 2	NOTE 3	1	WS-128/9X08
9	SPRING	SK5	NOTE 4	2	B50000-6
8	RETAINER RING	NOTE 1	NOTE 3	1	B50000-5
7	GASKET	RUBBER	RED	1	GS-115/8X15
6	INSULATOR	DELTRIN	NATURAL	1	B9073D1-6-75-B
5	BODY	NOTE 1	NOTE 3	1	B9073D1-5
4	CONTACT PIN	NOTE 6	NOTE 7	1	B9073D1-4-A
3	INSULATOR	DELTRIN	NATURAL	2	B9073D1-3-75-A
2	HOUSING	NOTE 8	NOTE 5	1	B9073D1-2
1	SHELL	NOTE 8	NOTE 5	1	B50000Z-1
NO.	DESCRIPTION	MATERIAL	FINISH	Q'TY	DRAWING NO.

DIMENSIONS ARE IN MILLIMETERS
UNLESS OTHERWISE SPECIFIED TOLERANCES

0.5-6	= ±0.2
6-30	= ±0.4
30-120	= ±0.6
120-315	= ±1
315-1000	= ±1.6
1000-2000	= ±2.4

PART NO.	B9073D1-ND3G-75	
APPROVED	DATE	10-11-01'
CHECKED	DATE	10-11-01'
DRAWN	DATE	10-11-01'
FILE NO.		

Item nr 20104651	
TITLE	BNC "T" ADAPTOR JACK-PLUG-JACK
DRAWING NO.	KJ-B9073D1-ND3G-75
ITEM NO.	

1 2 3 4 5 6 7 8