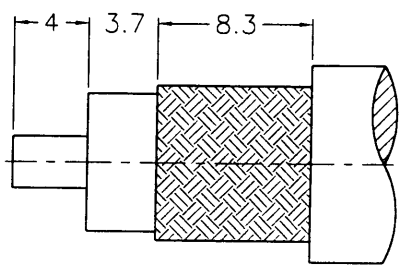


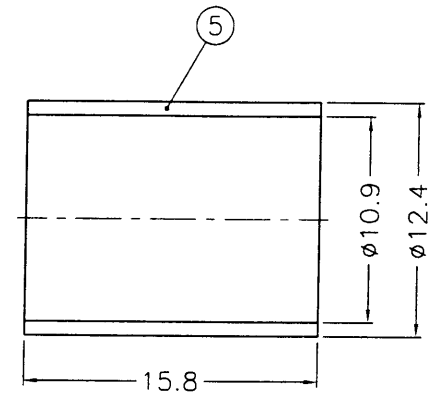
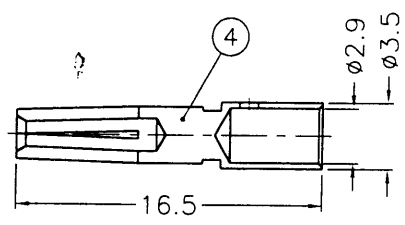
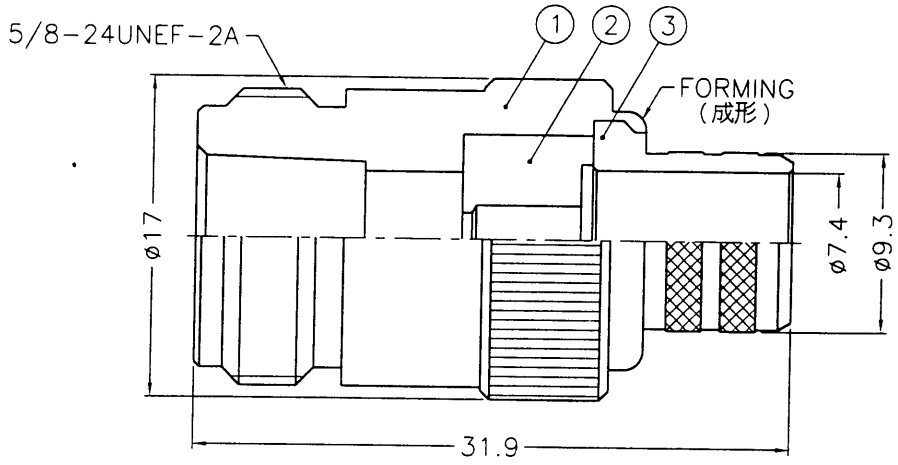
1 2 3 4 5 6 7 8

REVISIONS		
ISS	ZONE	DESCRIPTION\PER REQUEST\DATE

DIREKTRONIK



RECOMMENDED
CABLE STRIPPING DIM'S
(建議剝線尺寸)



NOTES: FINISH (PLATING THICKNESS IN MICRO-INCHES)
 1. BRASS PER QQ-B-626
 2. NICKEL PL. 100 MIN. THICK OVER COPPER STRIKE
 3. PHOSPHOR BRONZE PER QQ-B-750
 4. GOLD PL. 3 MIN. THICK OVER NICKEL PL. 100 MIN. THICK OVER COPPER STRIKE
 5. TEFLON MIL-P-19468
 6. JIS H 3250, C 2700

出圖
88.8.12

DIMENSIONS ARE IN MILLIMETERS					PART NO.					
NO.	DESCRIPTION	MATERIAL	FINISH	Q'TY	DRAWING NO.	SCALE		ISSUE	A	TITLE
5	FERRULE	NOTE 6	NOTE 2	1	FR-124/109X158	UNLESS OTHERWISE SPECIFIED TOLERANCES	APPROVED	DATE	08-12-99'	N CRIMP JACK (FOR BELDEN 9913, 9914)
4	CONTACT PIN	NOTE 3	NOTE 4	1	N7000-4-35/29	0.5-6 = ±0.2	CHECKED	DATE	08-12-99'	
3	BARREL	NOTE 1	NOTE 2	1	N5000-3-93/74	6-30 = ±0.4	DRAWN	DATE	08-12-99'	DRAWING NO.
2	INSULATOR	NOTE 5	NATURAL	1	N5201-5T-50-9913	30-120 = ±0.6				KJ-N6121A2-NT3G-9913-50
1	BODY	NOTE 1	NOTE 2	1	N7000-1-9913	120-315 = ±1				FILE NO. F:\DWG\N\6121A2\9913-50\NT3G
						315-1000 = ±1.6				
						1000-2000 = ±2.4				

Mark C
Mark C
Betty S

8N-R1757