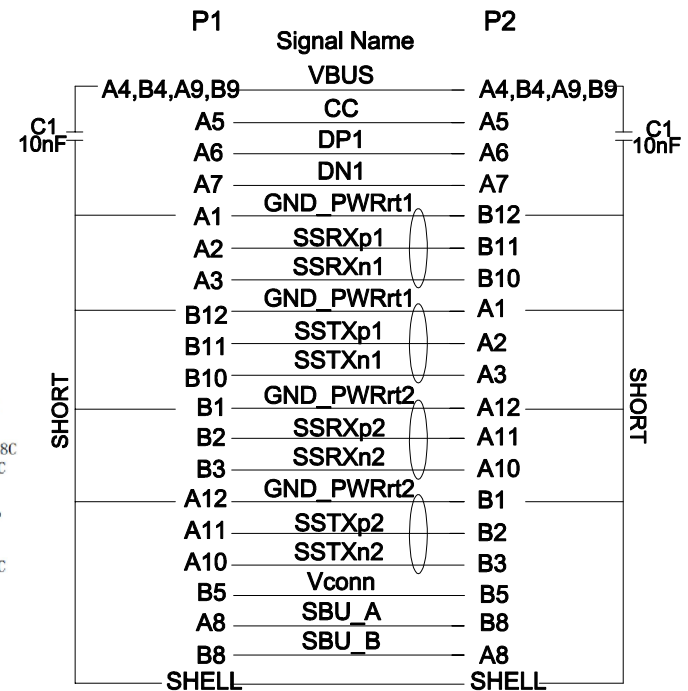
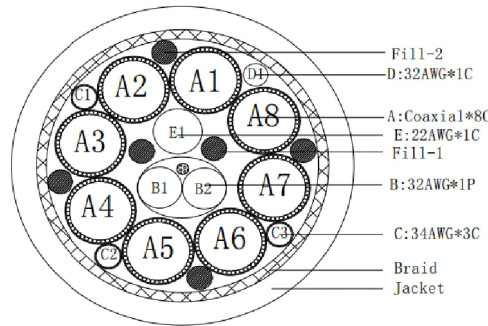


Wiring Diagram



NOTES:

- CONNECTOR: USB 4 GEN3 Type-C To C Cable.
- ELECTRONICAL TEST:
 - OPEN/SHORT/INTERMITTENCE:100% .
 - Support maximum power 48V/5A 240W
 - Support the maximum bandwidth of 40Gbps
- COMPLIANCE RoHS, REACH standards.



NO.	ITEM	DESCRIPTION	UNIT	Q'TY
⑦	OUTER MOLD	45P BLACK IN COLOR+Aluminium alloy	10	g
⑥	INNER MOLD 2	PE	4	g
⑤	WIRE CLIPS	USB 3.1TYPE-C 30AWG	2	PCS
④	SHELL	FRONT SHELL NI-PLATED. BACK SHELL NI-PLATED.WITH SPRING.	2	SET
③	TYPE-C CONN 2	USB 4 TYPE C MALE Emarker HUSB 332B PCB WITH IC MARK.CAPACITOR(10nF).	1	PCS
②	TYPE-C CONN 1	USB 4 TYPE C MALE SOLDER TYPE, PCB WITHOUT IC, CAPACITOR(10nF).	1	PCS
①	CABLE	(Coaxial 28AWG SC)*8C+(34AWG*1P+EA)*1C+22AWG*1C+(34AWG+A)*4C+PS OD.4.8±0.20 TPE, BLACK IN COLOR	1	M

DIREKTRONIK

DRAWING NO	DATE	TITLE	USB4 GEN3 40G 240W L=1M			
DRAWN	CLH	2022.09.23	PART NO 20116319 / 20116321			
CHECKED			UNIT	比例	PAGE	REV
APPROVED			mm	1:1	1/1	A