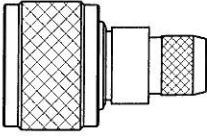
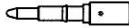
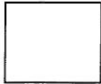
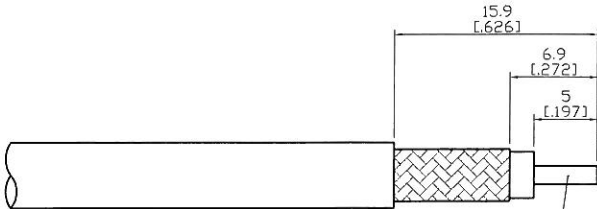
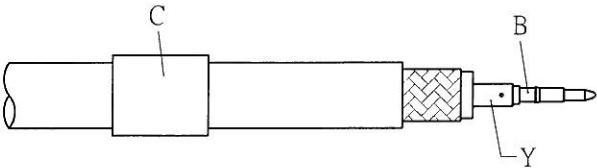
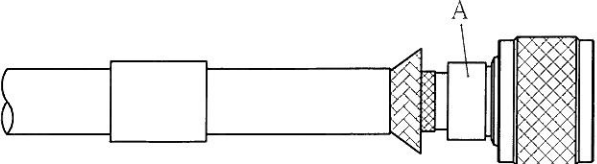
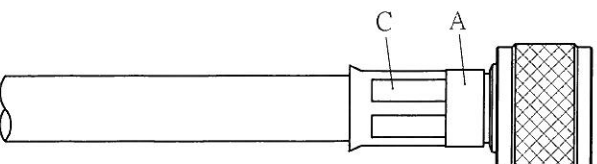


N3100B-ECO10		DATE	2014/02/05	REV	—
A	B	C			
					
BODY	CONTACT PIN	FERRULE			
DIAGRAM		ASSEMBLY INSTRUCTION			
 <p>BE CAREFUL NOT TO LOOSEN THE STRANDS ON THE CENTER CONDUCTOR</p>		Step 1: STRIP AS SHOWN.			
		Step 2: SLIDE FERRULE " C " OVER CABLE. Step 3: PUT PIN " B " ON CENTER CONDUCTOR AND CRIMP IN " Y ".			
		Step 4: LOOSEN BRAIDING AND SLIDE CONNECTOR " A " IN PLACE.			
		Step 5: SLIDE FERRULE " C " TOWARDS THE CONNECTOR " A " AND CRIMP.			

