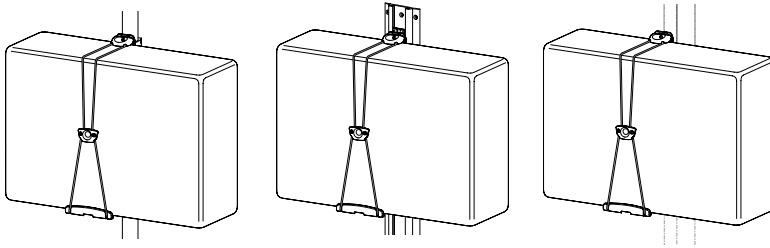


## Universal CPU Holder

### MOUNTING OPTIONS

#### Vertical Mount

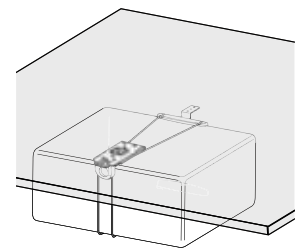


2" Pole Clamps  
3" Post Brackets

Wall Track

Wood Stud Wall

#### Horizontal Mount



Under-desk  
Mount

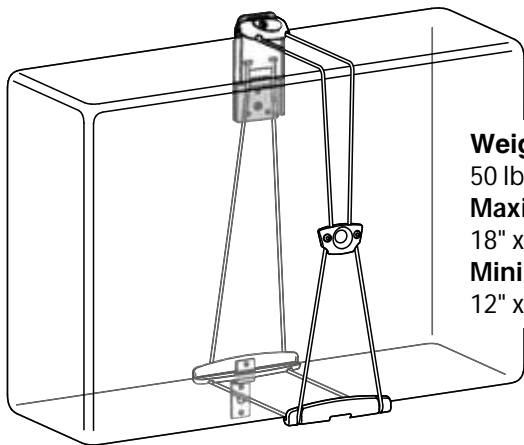
2" Pole Clamps  
3" Post Brackets

Wall Track

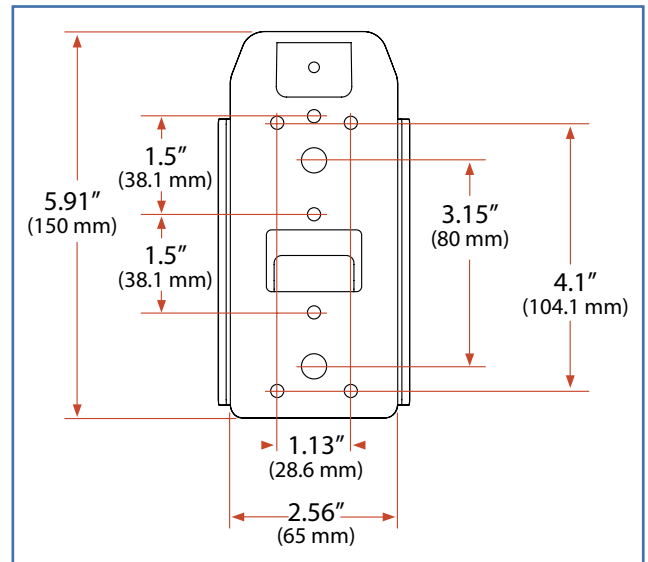
Wood Stud Wall

Cart Accessory  
Bracket

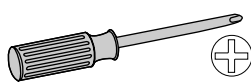
Under-desk  
Mount



**Weight Capacity**  
50 lbs. (22.68 kg)  
**Maximum Size:**  
18" x 8.5" (457 x 216 mm)  
**Minimum Size:**  
12" x 3" (305 x 76 mm)

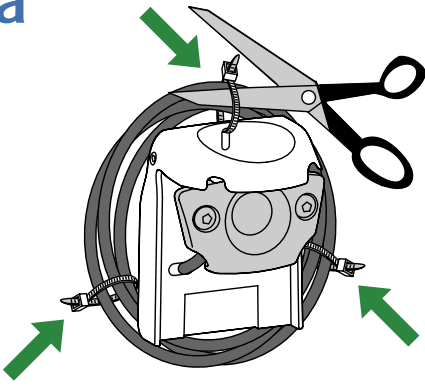


	A	B	C	D	E	F
1	1x	1x	3x	1x	2x	1x
2				1x M5 x 6mm		
3		2x		4x M5 x 10mm	3x #10 x 3/4" wood screw	
4			1x	2x M5 x 13mm	3x #10 x 2" wood screw	4x 
5	1x			1x M5 x 18mm	4x 10-24 x 1/2"	
				1x		
		3mm			5-sided wrench	

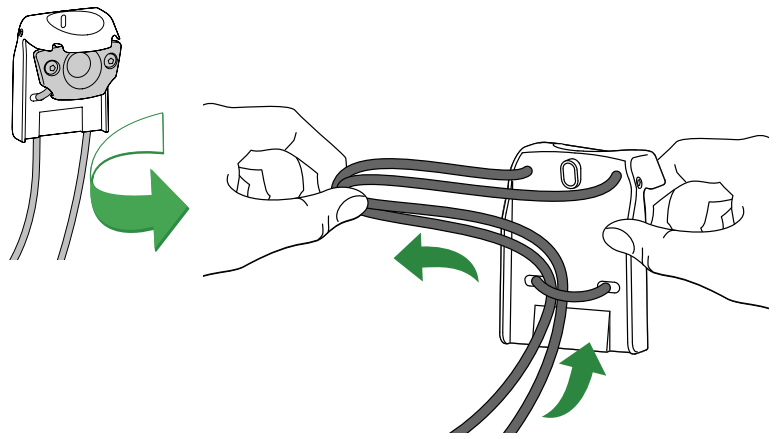


USA 1-800-888-8458  
Europe +31 (0)33-45 45 600

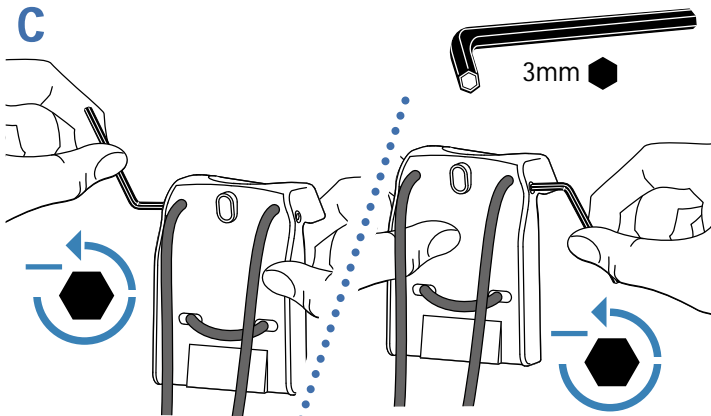
1 a



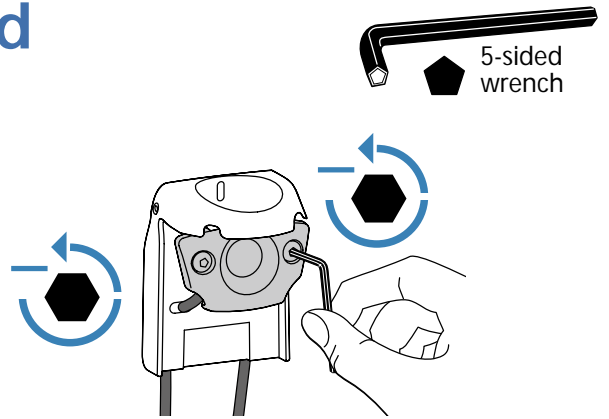
b



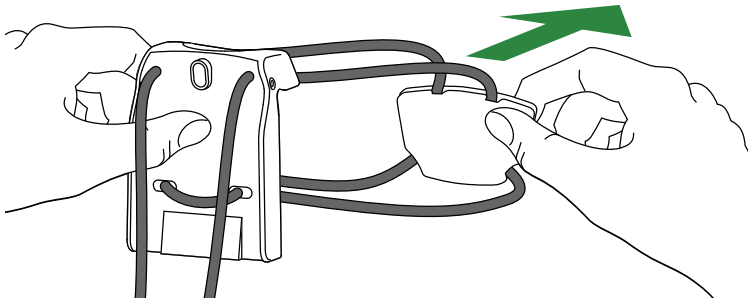
c



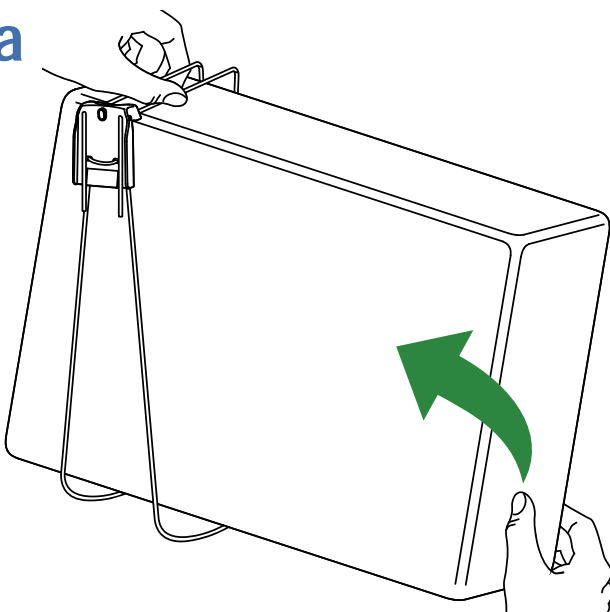
d



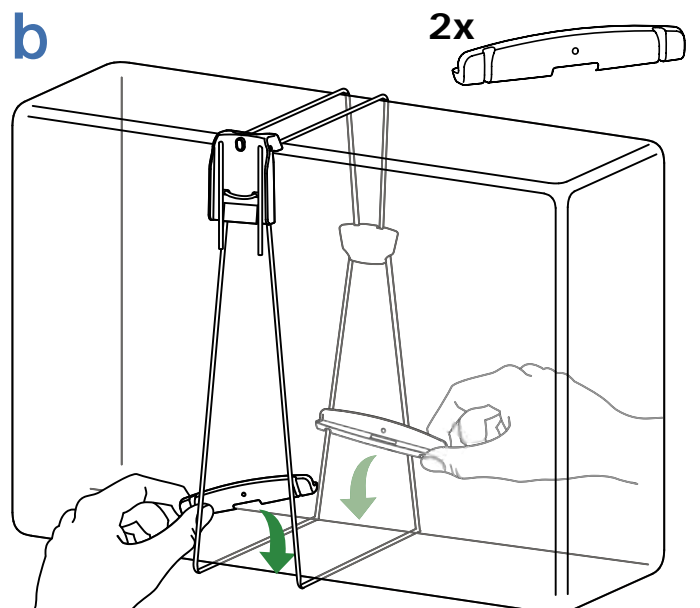
e



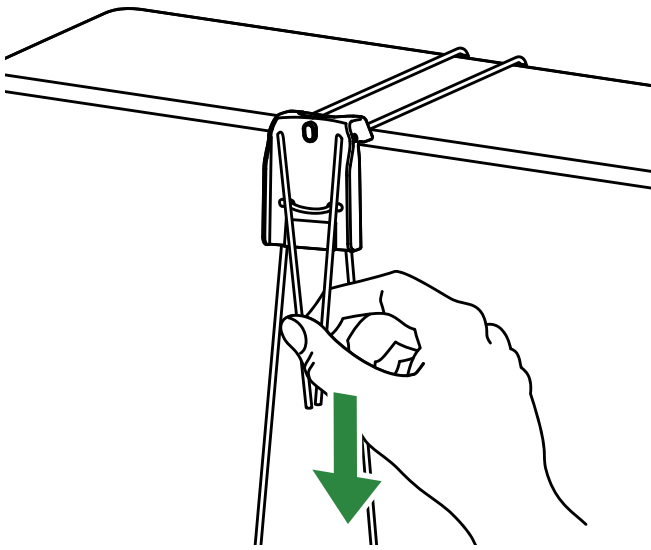
2 a



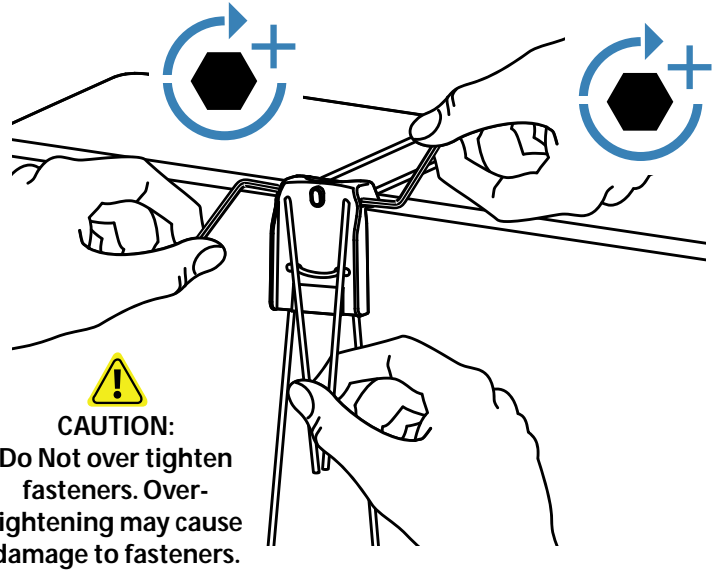
b



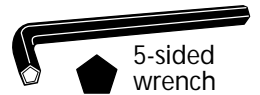
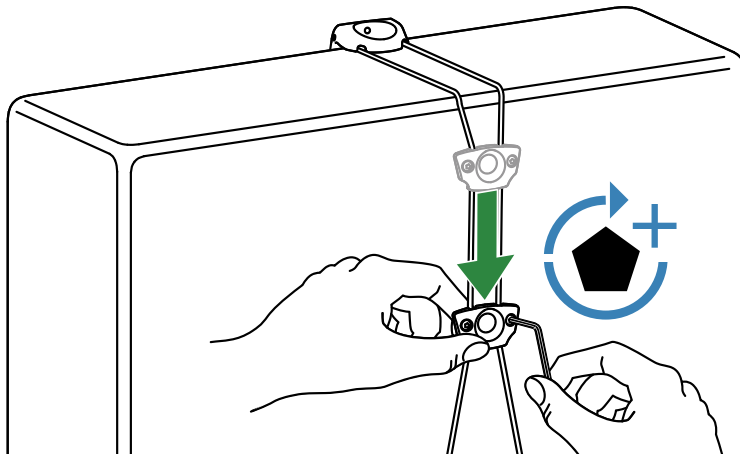
3 a



b



4



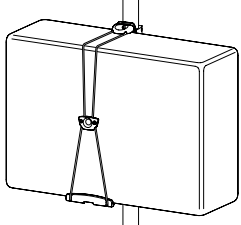
## 5 FIVE MOUNTING OPTIONS

NOTE: Ergotron Mounting Options sold separately.

Vertical Mount

Horizontal Mount

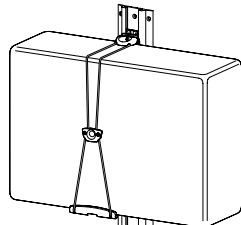
5<sup>1</sup>



2" Pole Clamps  
3" Post Brackets



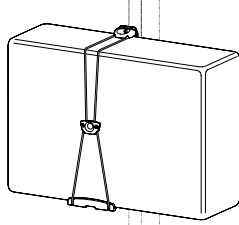
5<sup>2</sup>



Wall Track



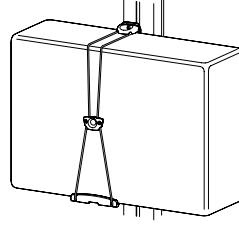
5<sup>3</sup>



Wood Stud Wall



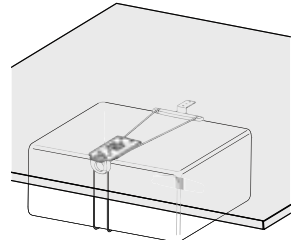
5<sup>4</sup>



Cart Accessory Bracket



5<sup>5</sup>



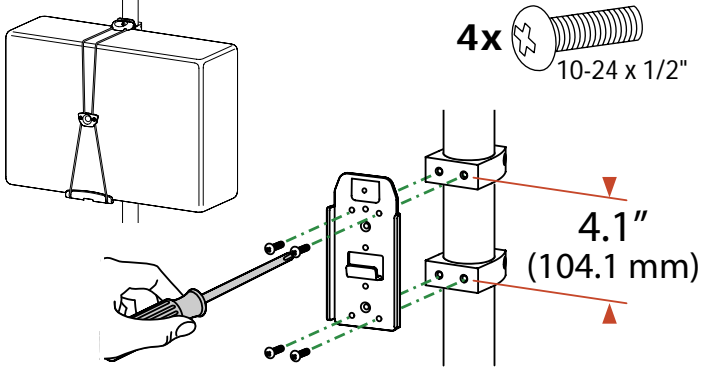
Under-desk Mount



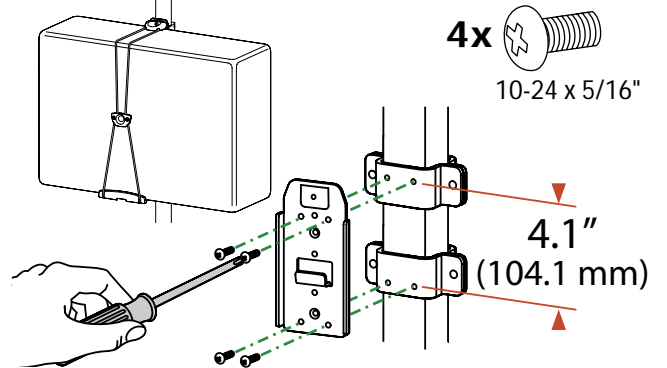
# 2" POLE, 3" POST

## 5<sup>1</sup>

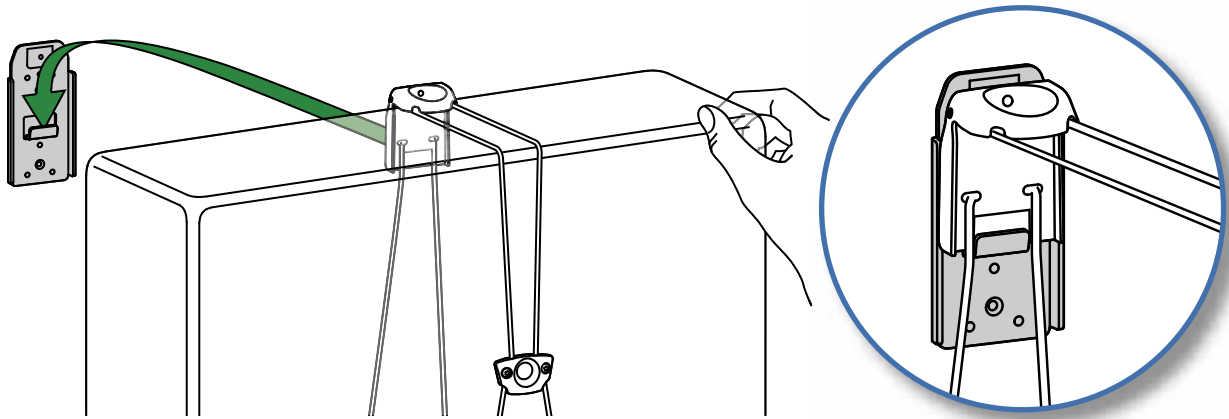
### a • 2" Pole Clamps



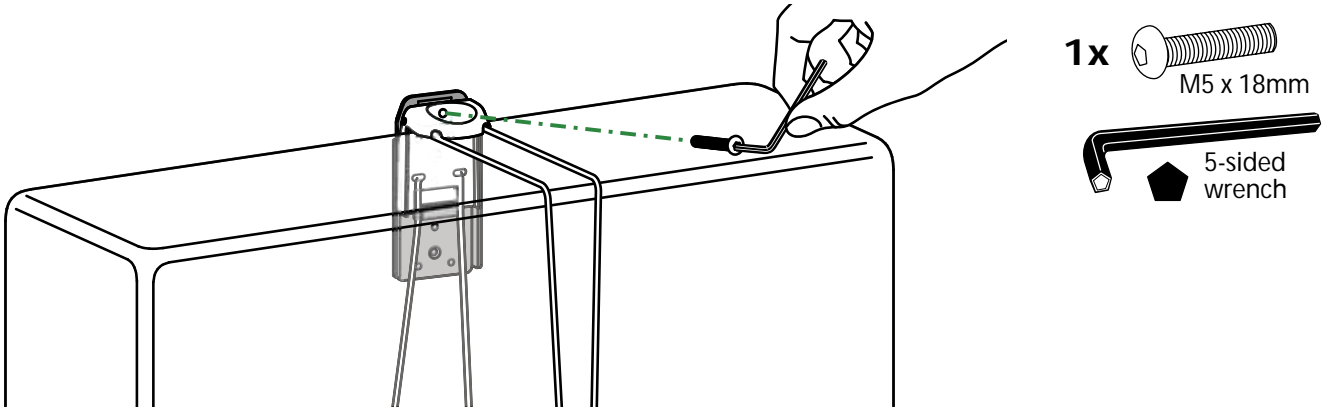
### • 3" Post Brackets



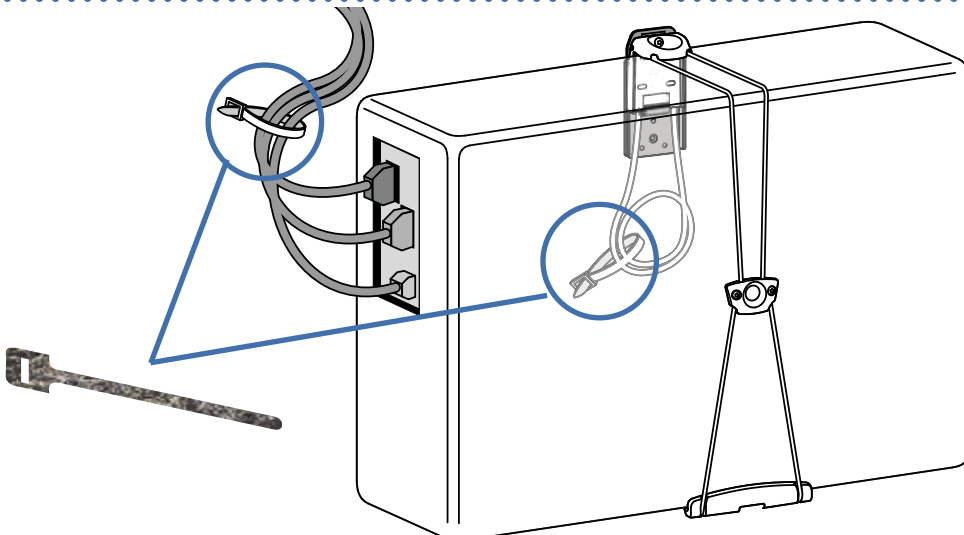
### b



### c



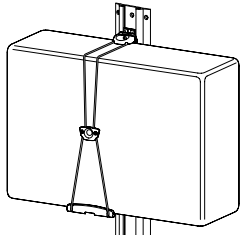
### d



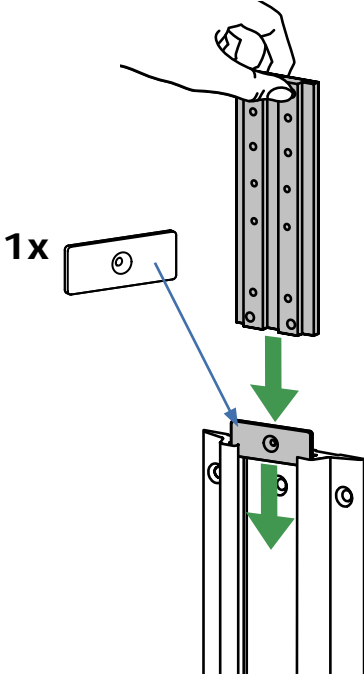
**END OF  
INSTALLATION**  
for  
2" Pole Clamps,  
3" Post Brackets

# WALL TRACK

5<sup>2</sup>

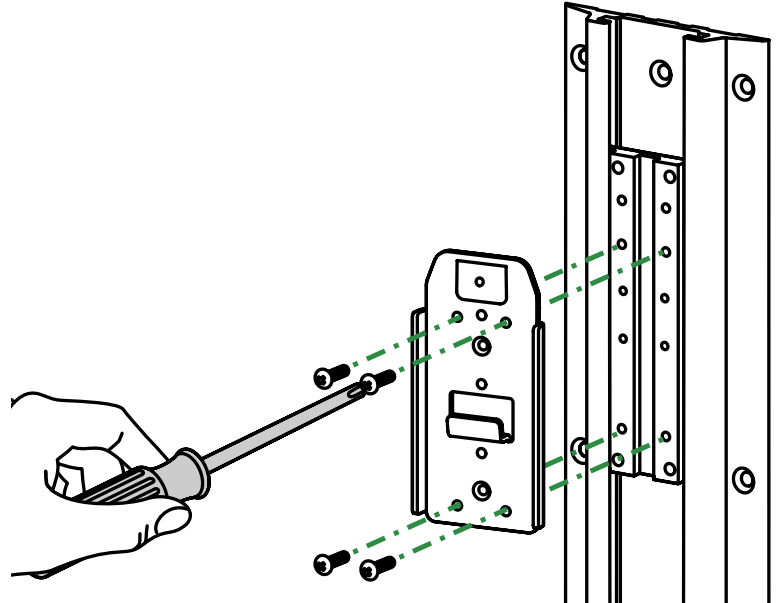



a



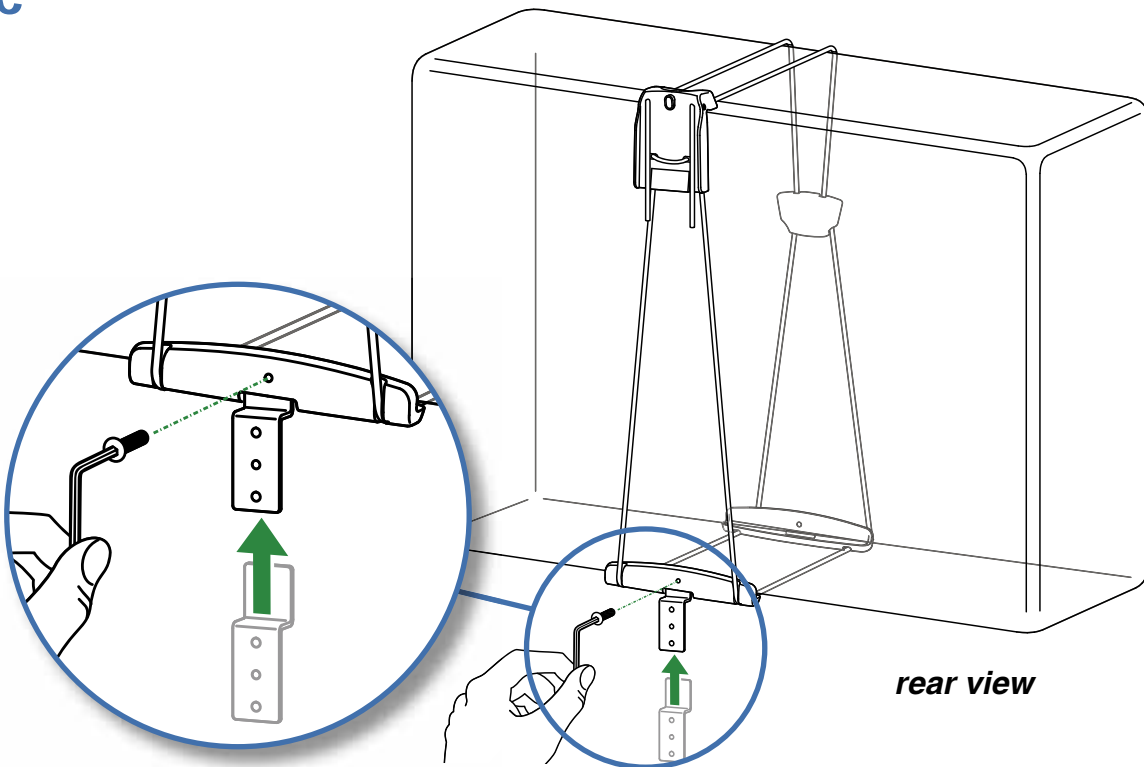
1x

b

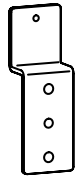



4x  10-24 x 1/2"

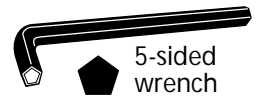
c



rear view



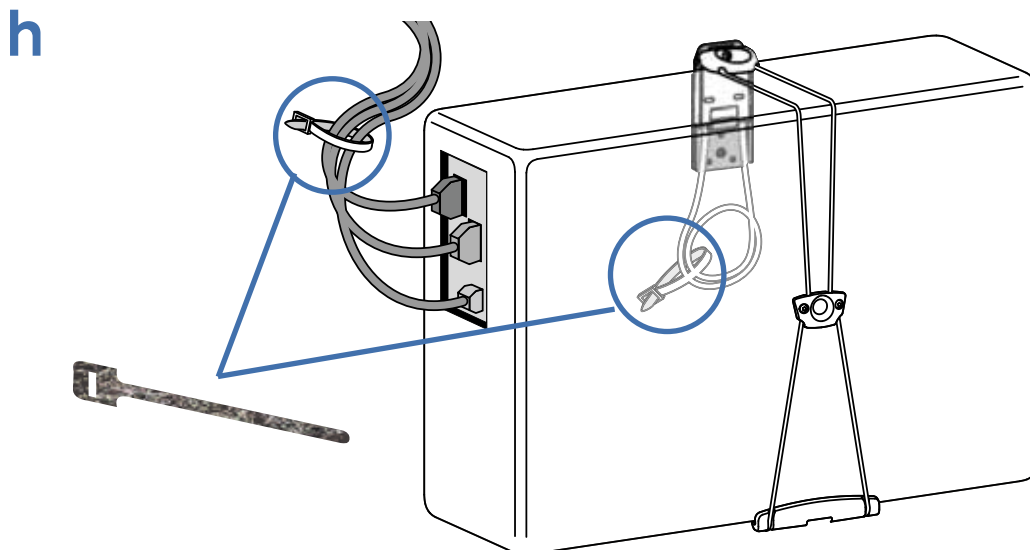
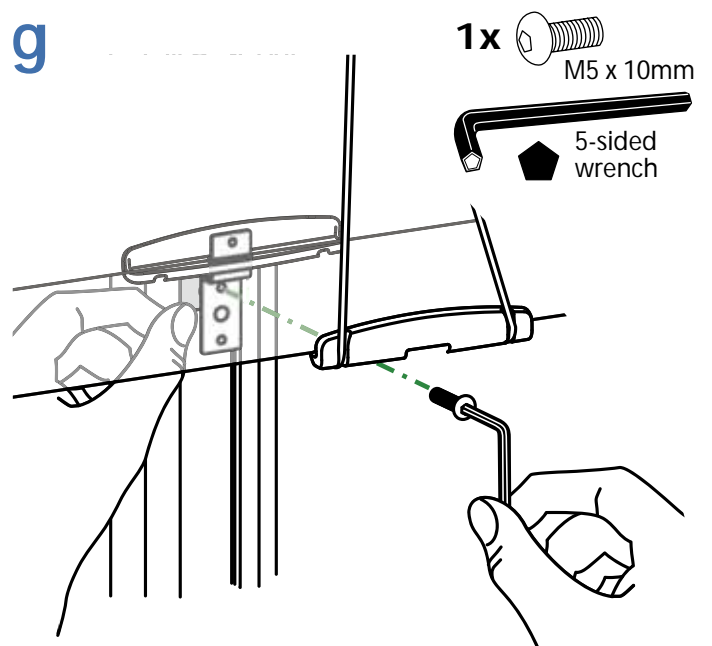
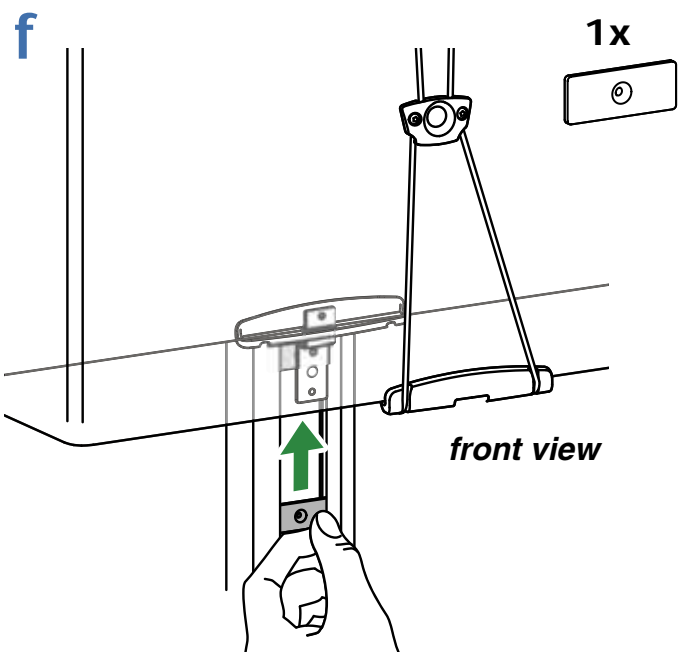
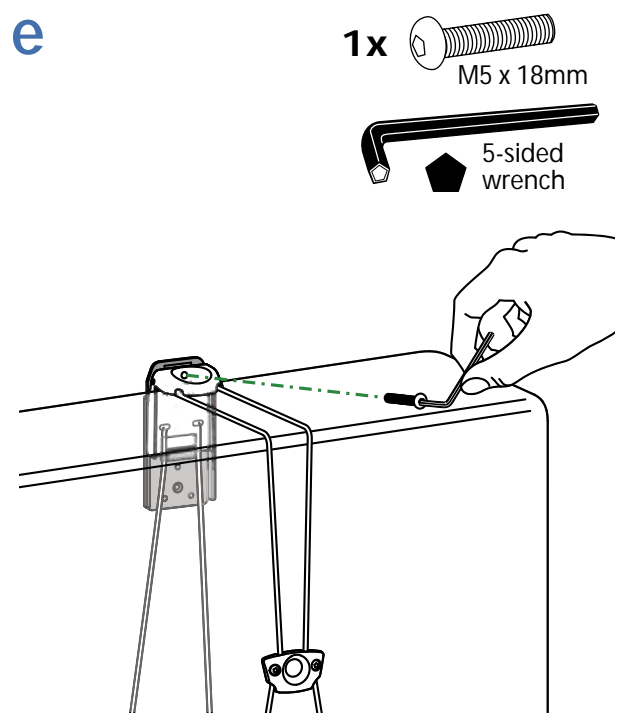
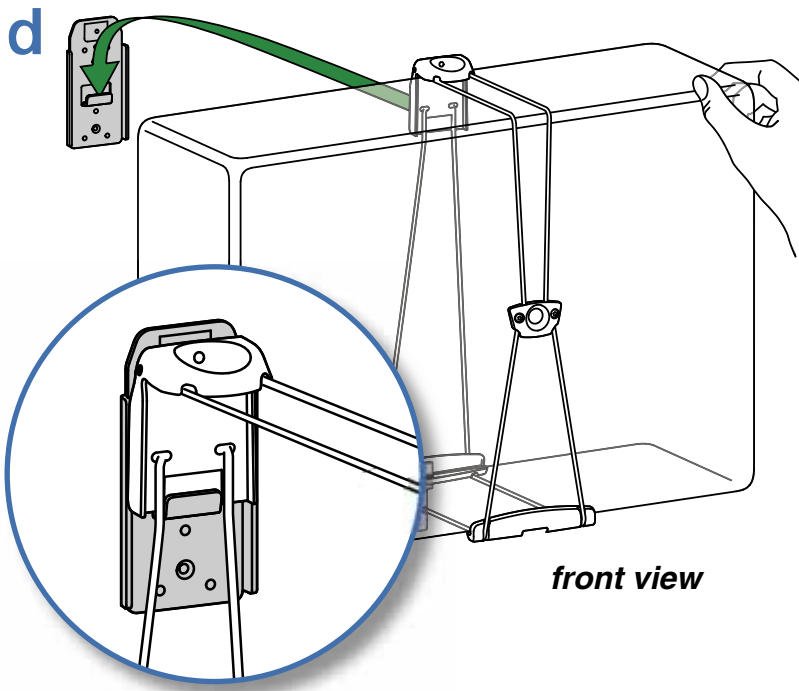
1x  M5 x 6mm



5-sided wrench

GO TO NEXT PAGE...

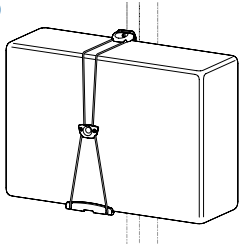
# WALL TRACK



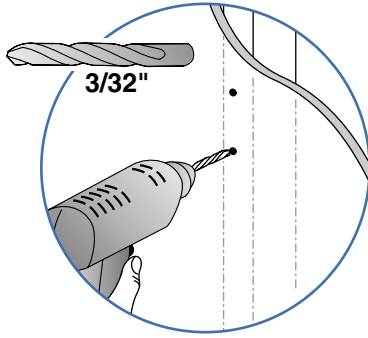
**END OF  
INSTALLATION**  
for  
Wall Track

# WOOD STUD WALL

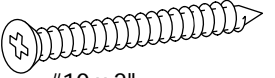
5<sup>3</sup>

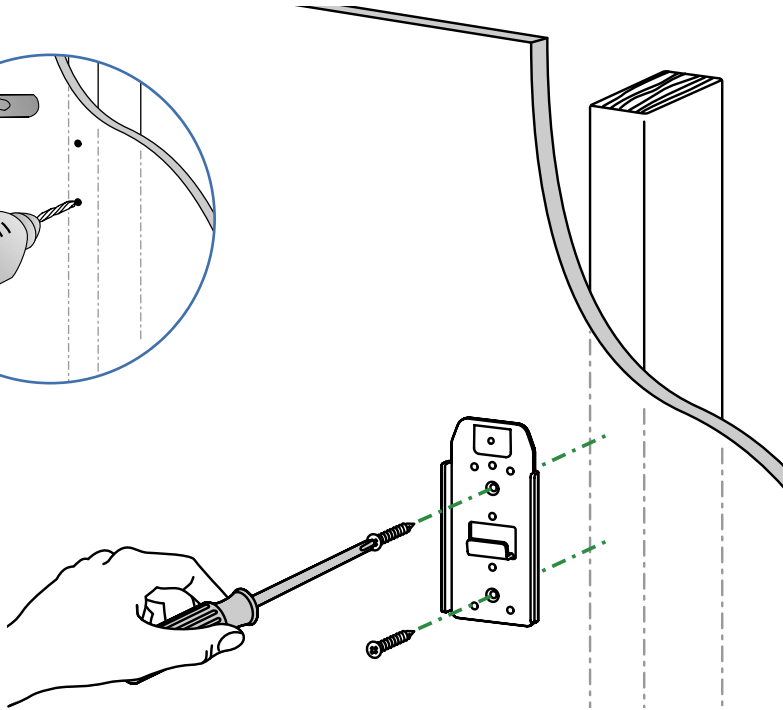


a

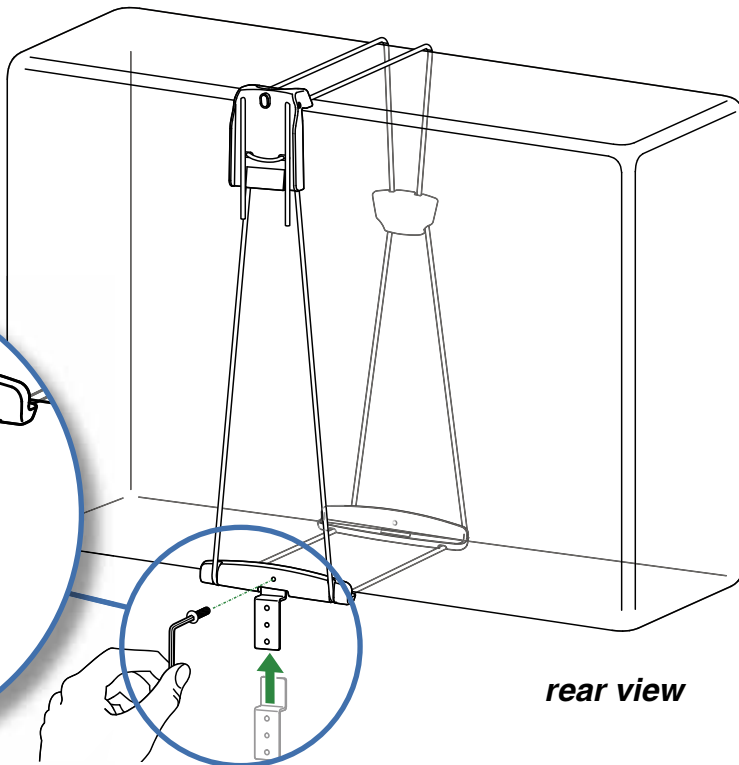
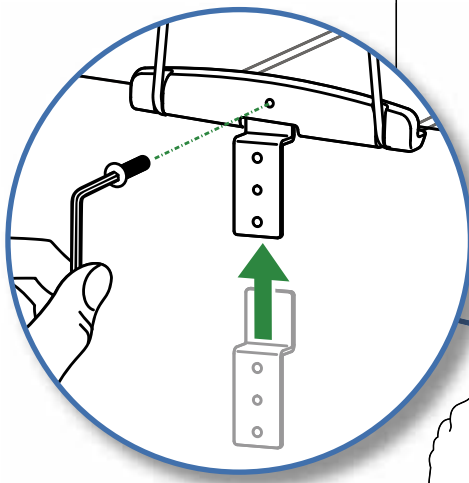


3/32"

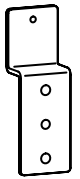


2x  #10 x 2"  
wood screw



b

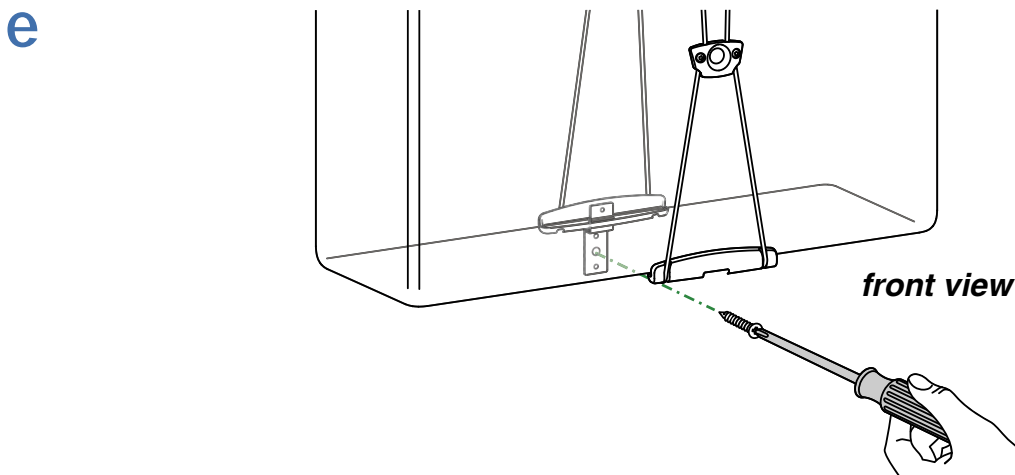
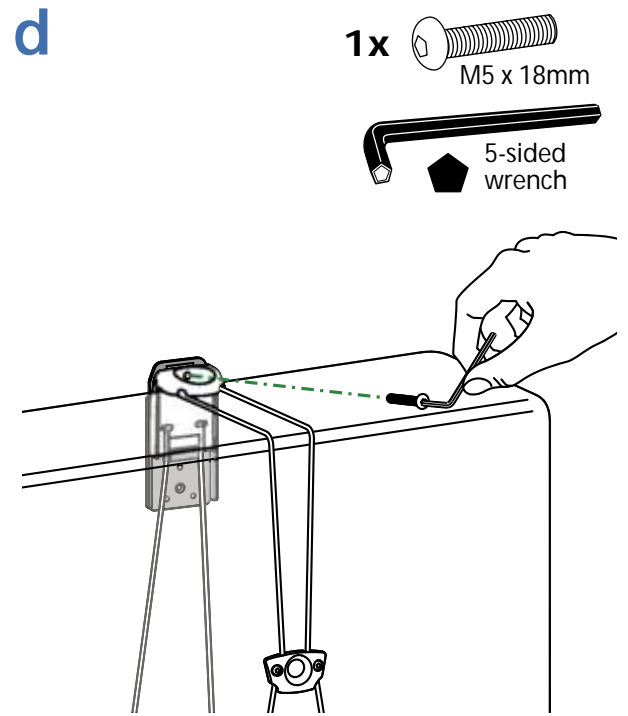
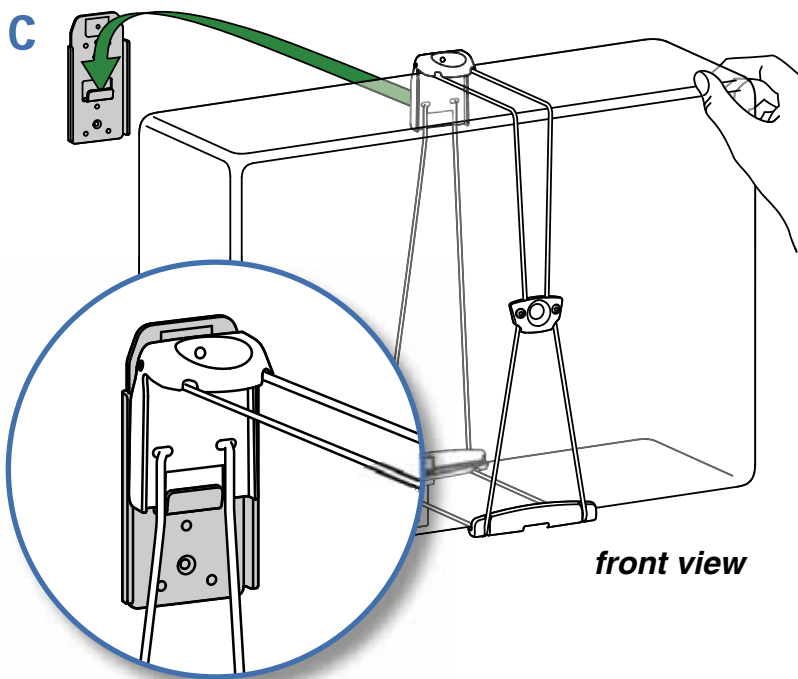


rear view

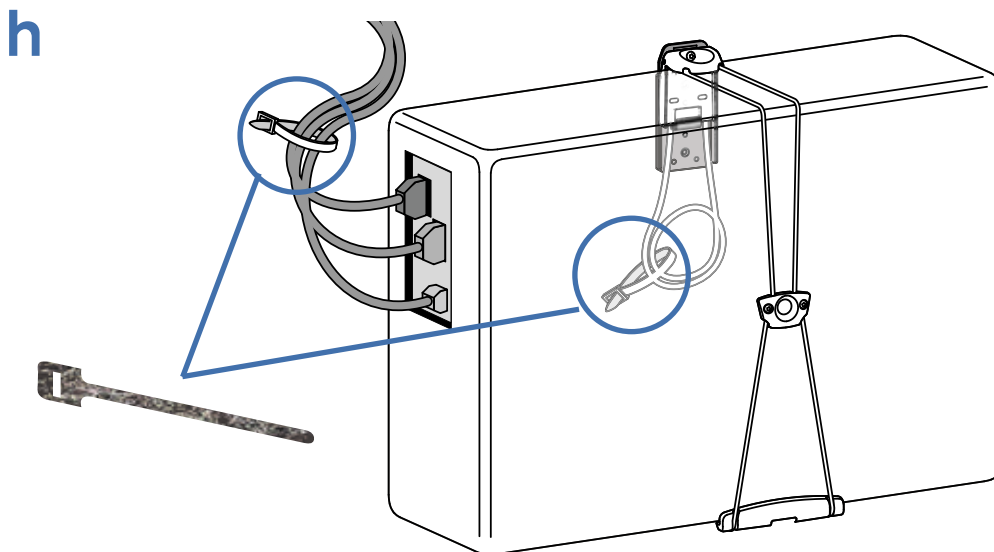
1x   
 M5 x 6mm  
 5-sided  
wrench

GO TO NEXT PAGE...

# WOOD STUD WALL



- 1x #10 x 2" wood screw

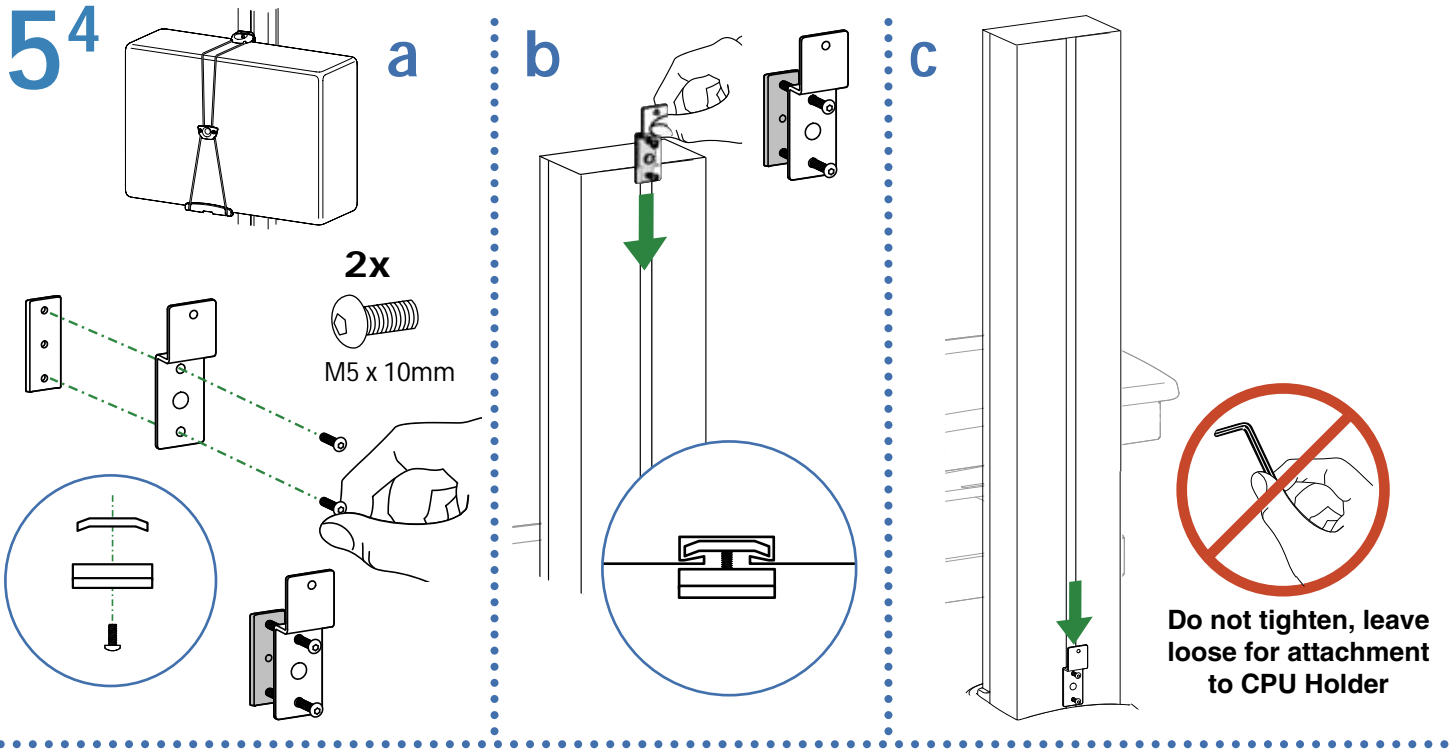


**END OF  
INSTALLATION  
for  
Wood Stud Wall**

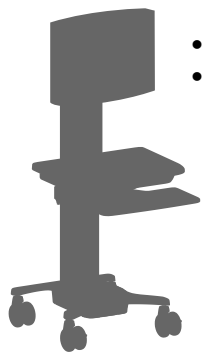
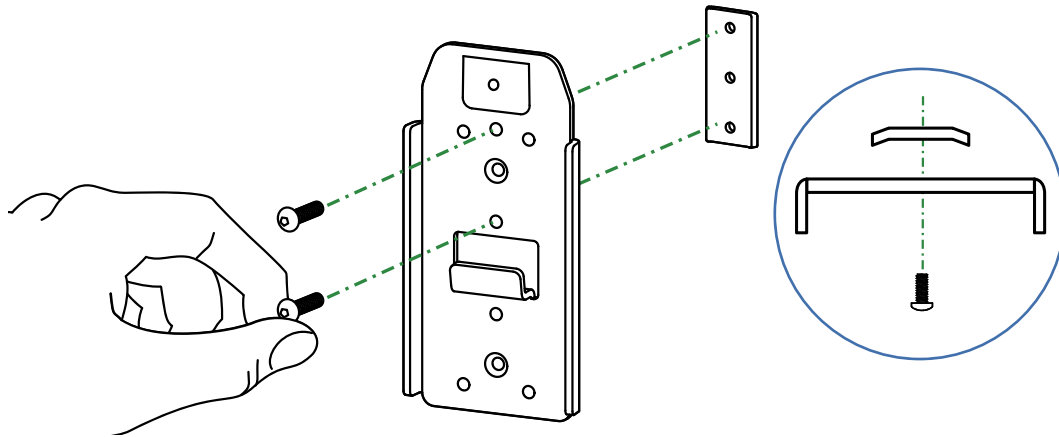


# CART ACCESSORY BRACKET

5<sup>4</sup>



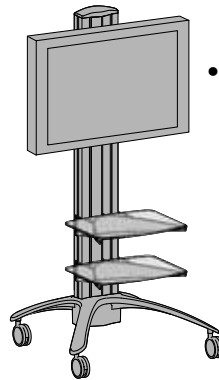
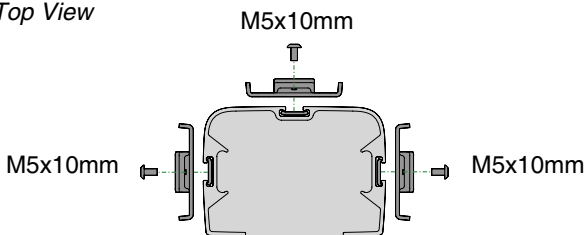
**d**



- StyleView Cart
- Neo-Flex Cart

2x  
M5 x 10mm

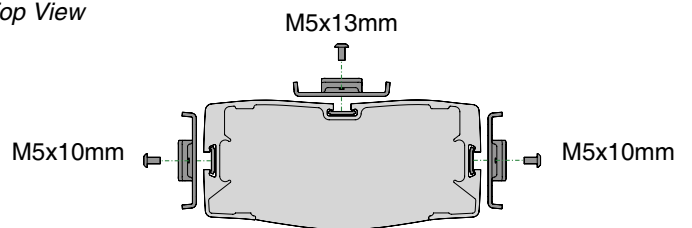
Top View



- LX Large Display Cart/Floor Stand

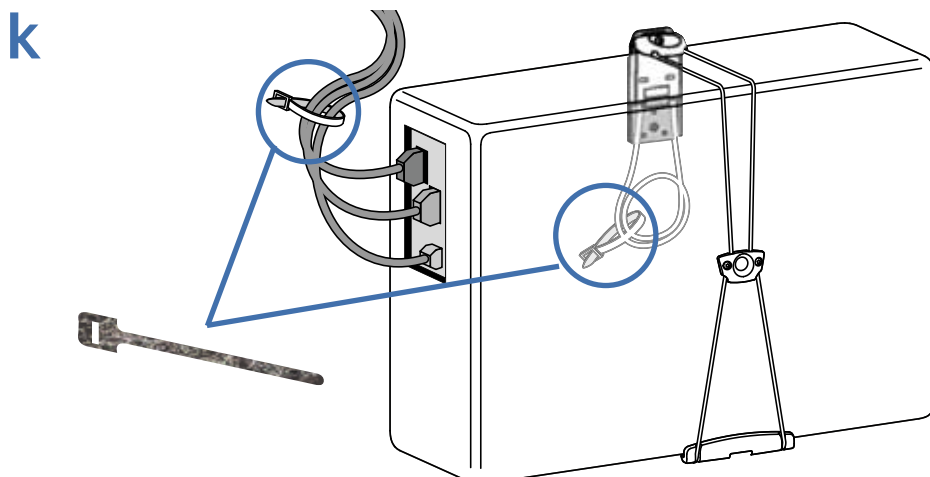
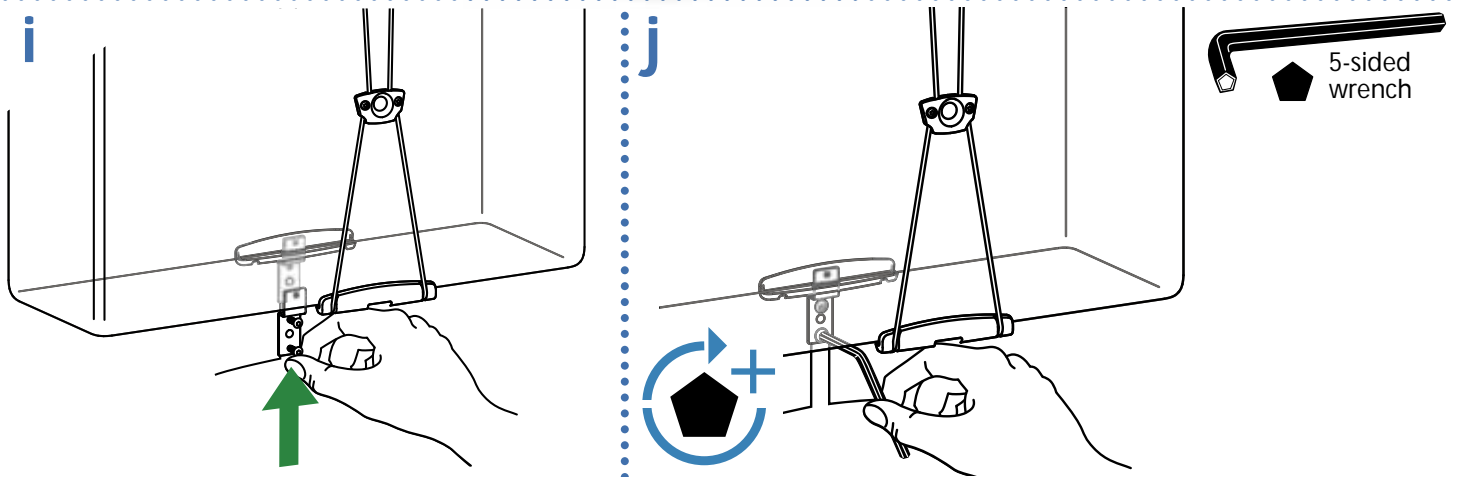
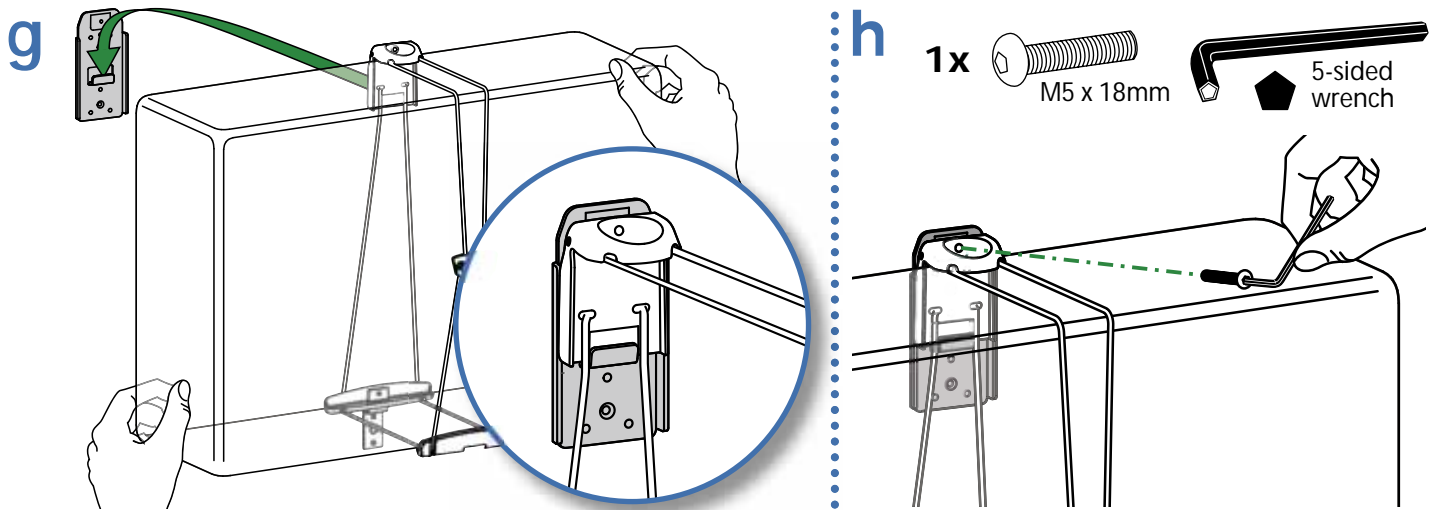
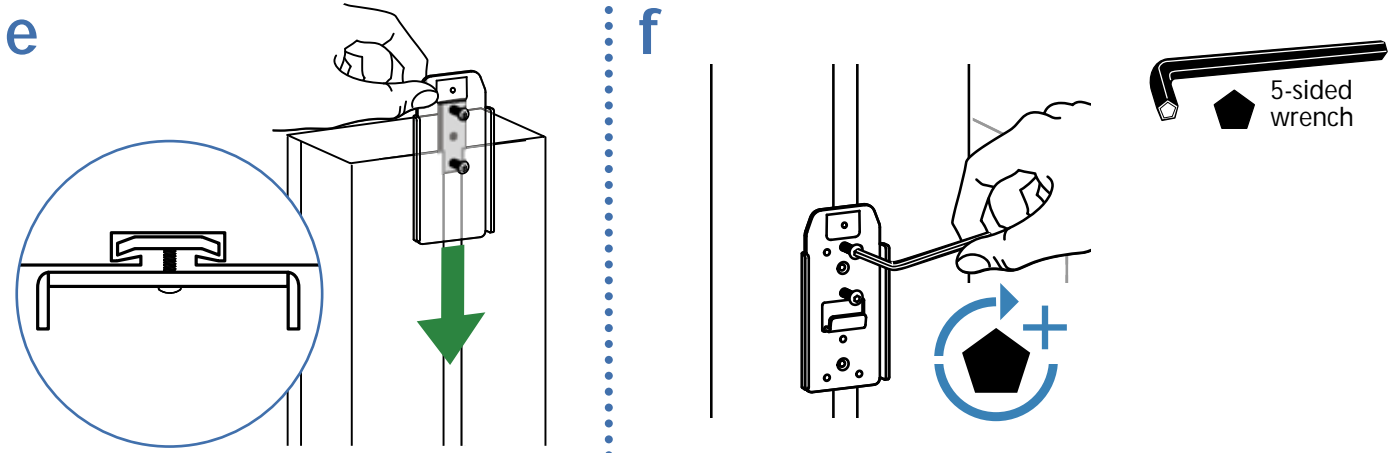
2x M5 x 10mm     2x M5 x 13mm

Top View



**GO TO NEXT PAGE...**

# CART ACCESSORY BRACKET

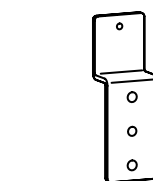
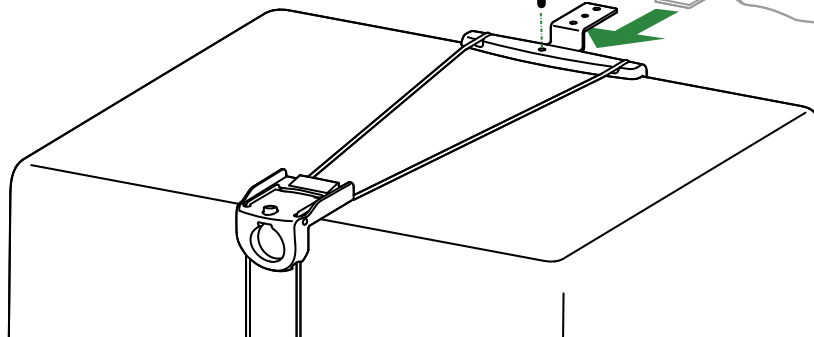
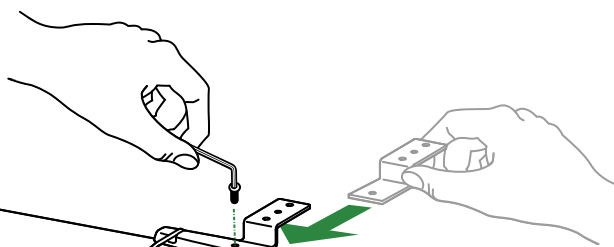
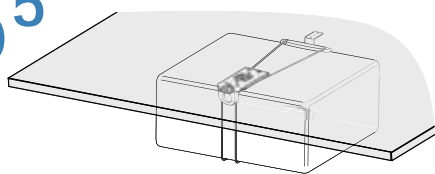


**END OF  
INSTALLATION  
for  
Cart Accessory  
Bracket**

# UNDER-DESK MOUNT

5<sup>5</sup>

a

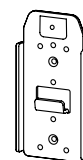
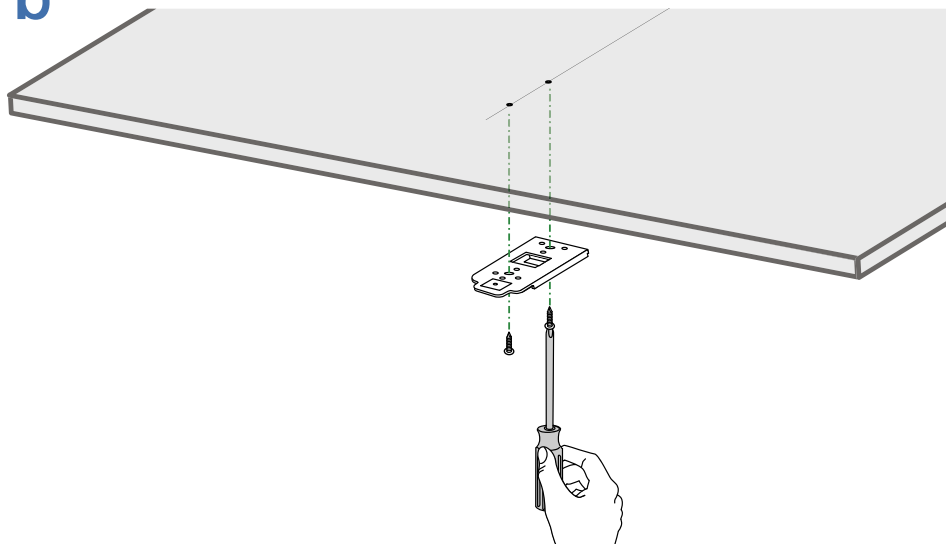


1x M5 x 6mm

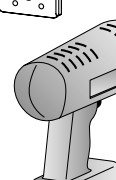


5-sided wrench

b

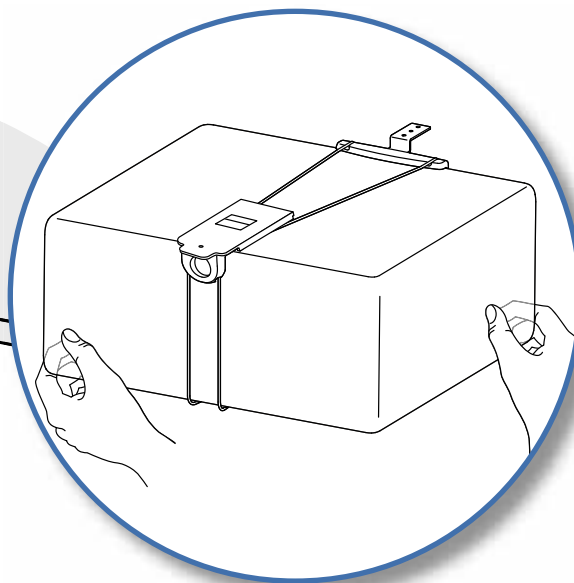
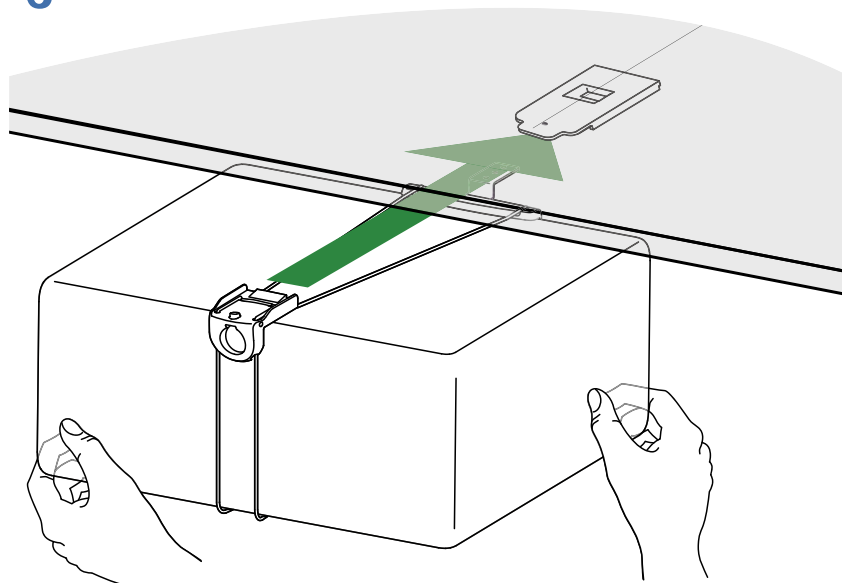


+ 2x #10 x 3/4" wood screw



3/32"

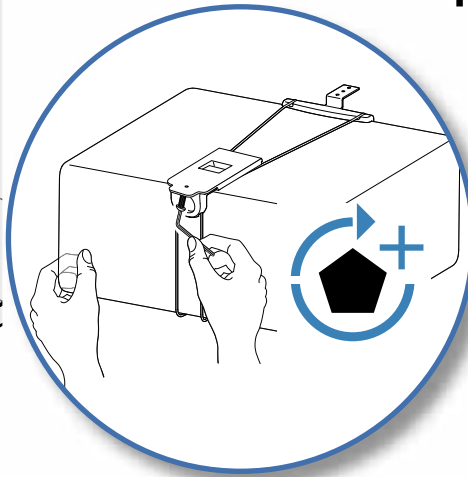
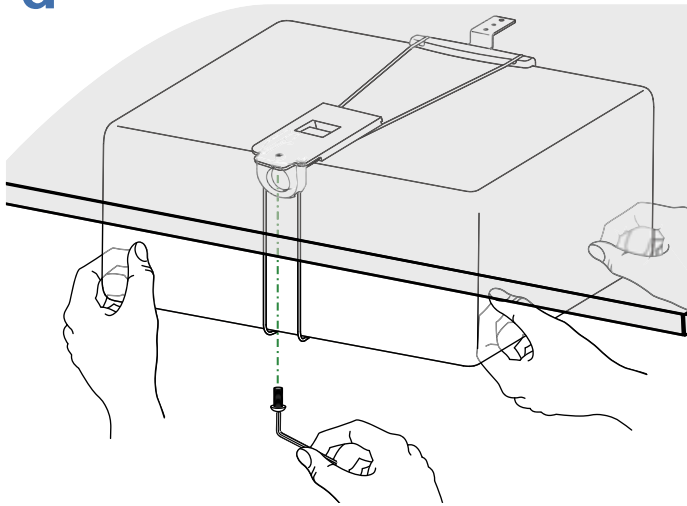
c





GO TO NEXT PAGE...

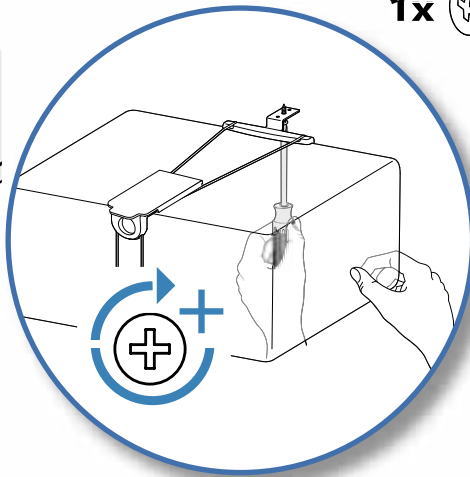
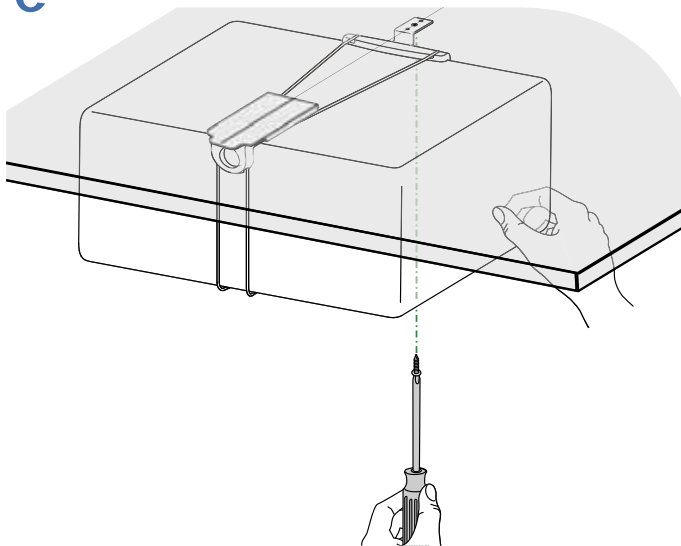
# UNDER-DESK MOUNT

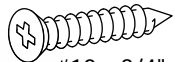
d



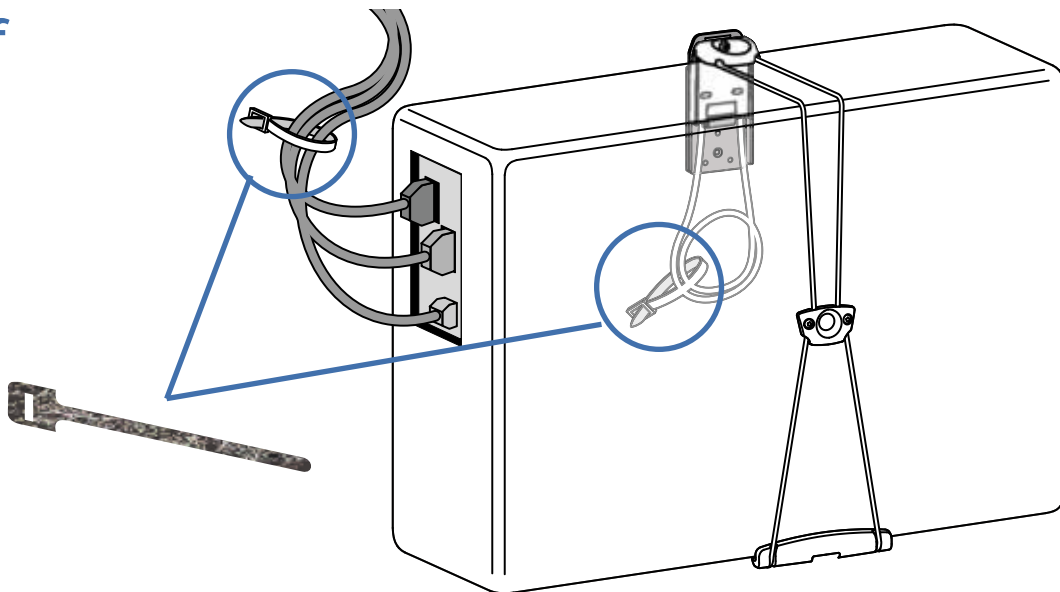
1x  M5 x 18mm  
 5-sided wrench

e



1x  #10 x 3/4" wood screw

f



**END OF  
INSTALLATION**  
for  
Under-desk  
Mount

## Ergotron Warranty

Ergotron warrants that its products will remain free of defects in material and workmanship for five (5) years. All subject to the exceptions, exclusions and limitations as set forth below.

Exceptions to this warranty include:

- Three (3) year warranty on all Neo-Flex™ by Ergotron products
- One (1) year warranty on all power supply components by Ergotron; battery carries a 90 day performance warranty and six (6) month warranty against manufacturer defects.  
Note: In EU, two (2)-year warranty on all power supply components by Ergotron; battery carries a 90-day performance warranty and two (2)-year warranty against manufacturer's defects.
- OEM products resold by Ergotron are warranted by the respective manufacturer

**Exclusive Remedy:** If any Ergotron equipment is or becomes defective in material or workmanship during the warranty period, Ergotron, at its sole discretion, may replace or repair the unit at a designated Ergotron location or at the customer location. The purchaser must get pre-approved authorization to return product to Ergotron. The Purchaser must contact Ergotron to obtain an RMA (Return Material Authorization) number. Ergotron will promptly repair or replace the item and ship it to Purchaser at no charge to the Purchaser. Performance of repair or replacement does not renew or extend the warranty period

**THIS REMEDY IS THE EXCLUSIVE REMEDY FOR BREACH OF WARRANTY AS TO THE EQUIPMENT,** except in respect to the personal injury. Purchaser shall give Ergotron immediate written notice of any personal injury resulting from use of Ergotron equipment.

**Exclusions and Limitations:** Ergotron disclaims liability for injuries or losses caused by or associated with installation or use of its equipment in any manner other than in strict conformance with the instructions set forth in its installation manuals, supplemental assembly and installation instruction sheets, technical bulletins or product literature or by equipment that has been altered, damaged or misused.

Warranty on fully charge batteries left in an unused state for more than three (3) consecutive months is automatically void.

Warranty on fully discharged batteries left in an unused state for more than three (3) consecutive days is automatically void.

Purchaser has not relied upon and Ergotron disclaims any and all warranties other than the expressed warranty stated above, subject to the exclusions and limitations provided herein. Ergotron disclaims all other warranties, expressed or implied, including but not limited to the warranties of merchantability and fitness for a particular purpose.

Ergotron further disclaims liability to purchaser and all others for all consequential, incidental and special damages caused by or in connection with the products, their use or misuse, and their performance or nonperformance.

821-842-00



© 2006 Ergotron, Inc.  
All rights reserved.

While Ergotron, Inc. makes every effort to provide accurate and complete information on the installation and use of its products, it will not be held liable for any editorial errors or omissions (including those made in the process of translation from English to another language), or for incidental, special or consequential damages of any nature resulting from furnishing this instruction and performance of equipment in connection with this instruction. Ergotron, Inc. reserves the right to make changes in the product design and/or product documentation without notification to its users. For the most current product information, or to know if this document is available in languages other than those herein, please contact Ergotron. No part of this publication may be reproduced, stored in a retrieval system, or transmitted in any form or by any means, electronic, mechanical, photocopying, recording or otherwise without the prior written consent of Ergotron, Inc., 1181 Trapp Road, Eagan, Minnesota, 55121, USA. Patents Pending and Patented U.S. & Foreign. Ergotron is a registered trademark of Ergotron, Inc.

### Americas Sales and Corporate Headquarters

St. Paul, MN USA  
(800) 888-8458  
+1-651-681-7600  
www.ergotron.com  
sales@ergotron.com

### EMEA Sales

Amersfoort, The Netherlands  
+31 33 45 45 600  
www.ergotron.com  
info.eu@ergotron.com

### APAC Sales

Singapore  
www.ergotron.com  
info.apac@ergotron.com

### Worldwide OEM Sales

www.ergotron.com  
info.apac@ergotron.com