

# USB 3.2 Gen1 Extender compatible to USB2.0/1.1 over Multimode 2LC 350M

## User's Manual



Transmitter



Receiver

# INTRODUCTION

Congratulations on your purchase of the USB 3.2 Gen1 Extender compatible to USB2.0/1.1 over Multimode 2LC 350M. This USB 3.2 Gen 1 extender provides the ability to extend the distance of your USB 3.2 Gen1 (5Gbps) device up to 350m over Multimode 2LC fiber. The Device unit also supports USB2.0/1.1 devices. It overcomes the copper USB cable length limitation without EMI concern, making it ideal for sensitive environment. This system is Plug-and-Play without having to install software or drivers to offer a fast and easy solution for home, campus, or business applications.

## PACKAGE CONTENTS

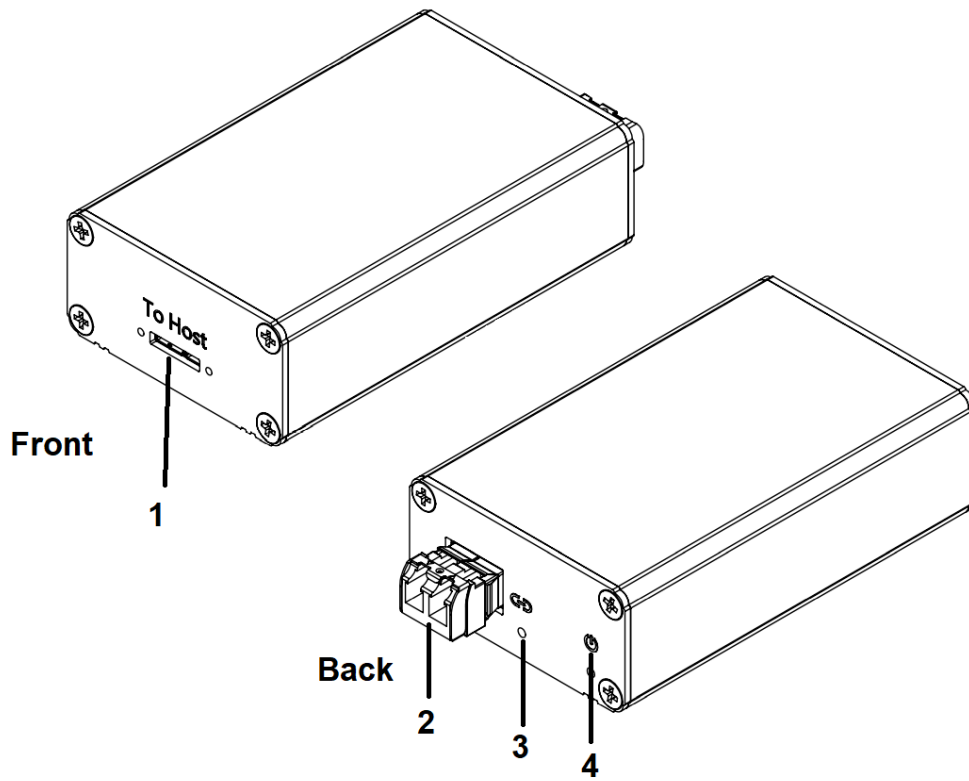
Before installation, please check the items of the package :

- Transmitter Unit X 1
- Receiver Unit X 1
- USB type A to USB Micro B cable X 1
- Power Adapter ( 5V, 3A) X 1
- User's Manual X 1

## FEATURES

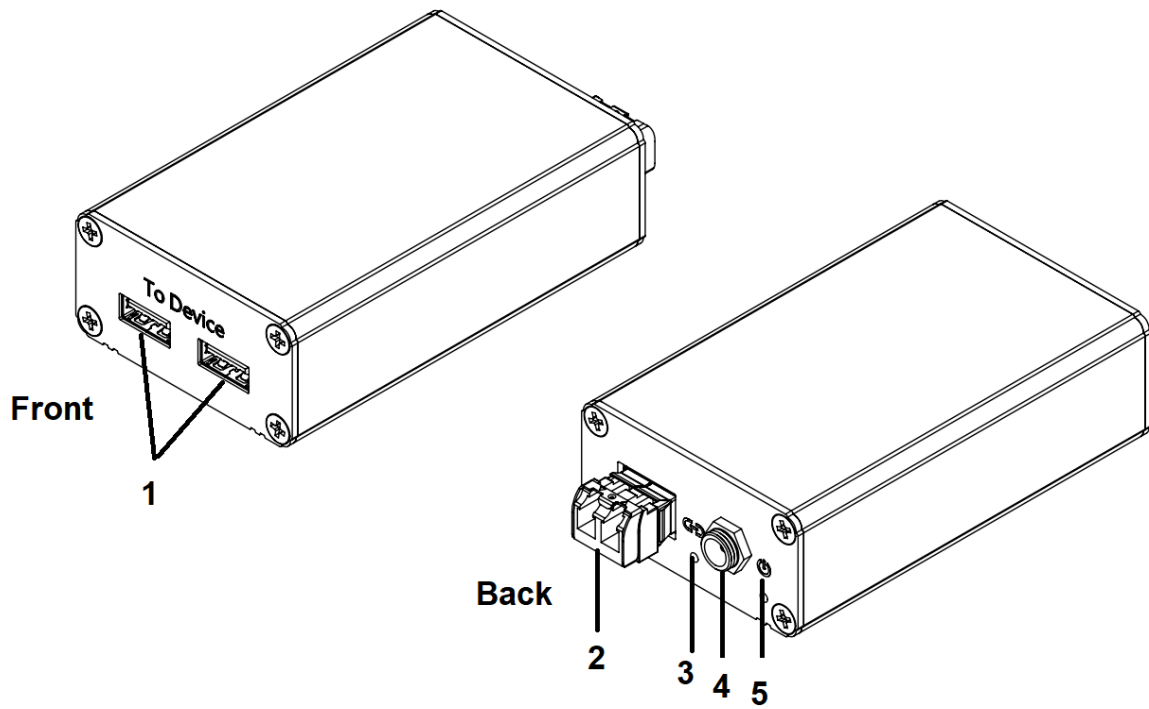
- Extend long distance USB 3.2 Gen1 connection up to 350m (Multimode fiber)
- Connects USB 3.0 port at Host unit
- Supports USB 3.2 Gen1/USB2.0/1.1 at Device unit
- Plug-and-play, no driver or software required
- Compatible USB 2.0/1.1

# Transmitter Unit



TYPE		DESCRIPTION
1	USB Micro-B receptacle	Connect USB 3.0 cable to Host Computer's USB 3.0 port
2	Fiber Slot	Connect Multimode Fiber cable
3	LINK LED (Blue)	Indicates a valid interconnection between Transmitter and Receiver Unit
4	Power LED(Blue)	LED turns on when power supplied from Host System

# Receiver Unit



TYPE		DESCRIPTION
1	2 x USB-A receptacle	Connect USB-A devices
2	Fiber Slot	Connect Multimode Fiber cable
3	LINK LED (Blue)	Indicates a valid interconnection between Transmitter and Receiver Unit
4	DC power Port	Connect Power Adaptor
5	Power LED(Blue)	LED turns on when power adaptor is supplying power

# APPLICATION

- Security and Monitoring
- Remote storage
- Conferencing cameras extension
- Microsoft Kinect extension
- Google camera extension
- Logitech BRIO 4K Pro camera extension

## INSTALLATION :

1. Connect the Transmitter to Host 3.0 port via the supplied USB type A to USB Micro B cable
2. Connect the Transmitter and receiver with a LC Multimode Fiber Cable (supplied by user)
3. Connect USB peripherals to the Receiver unit
4. Connect the included 5V 3A power adaptor into the DC power port of the Receiver
5. Check both Power and Link LED are solid blue on Transmitter and Receiver

## Application Diagram :



## Certifications

This equipment has been tested and found to comply with FCC and CE Rules.

Operation is subject to the following two conditions:

- (1) This device may not cause harmful interference
- (2) This device must accept any interference received. Including interference that may cause undesired operation.

## WEEE Information

For EU (European Union) member users:

According to the WEEE Directive, do not dispose of this product as household waste or commercial waste. Waste electrical and electronic equipment should be appropriately collected and recycled as required by practices established for your country. For information on recycling of this product, please contact your local authorities, your household waste disposal service or the shop where you purchased the product.



# **DIREKTRONIK**

Direktronik AB tel. 08-52 400 700 [www.direktronik.se](http://www.direktronik.se)