

## Industrial IP67 1-Port Gigabit PoE++ to 2-Port Gigabit PoE++ Repeater

### Overview

The product is an Industrial IP67 1-Port Gigabit PoE++ to 2-Port Gigabit PoE++ Repeater, using network cable power supply technology, and can extend 1000Mbps Ethernet signal to 100m and provide 50~57V standard PoE for powered devices.

The repeater is industrial grade, with IP67 waterproof design and wide working temperature -20~75°C. It can withstand harsh environmental tests, and is suitable for security monitoring and network engineering.

### Features and Highlights

Provide 10/100/1000Mbps Ethernet ports

- 20117487 1\* input port, 2\* output ports

Great PoE Compatibility

- All ports comply with IEEE802.3af, IEEE802.3at, IEEE802.3bt
- PoE output port can auto detect powered device and the output power
- Automatically distribute PoE for 1 or 2 PoE output ports as demand of the powered device
- Extends both Ethernet data and PoE to an additional 100 meters

Industrial Case and Installation

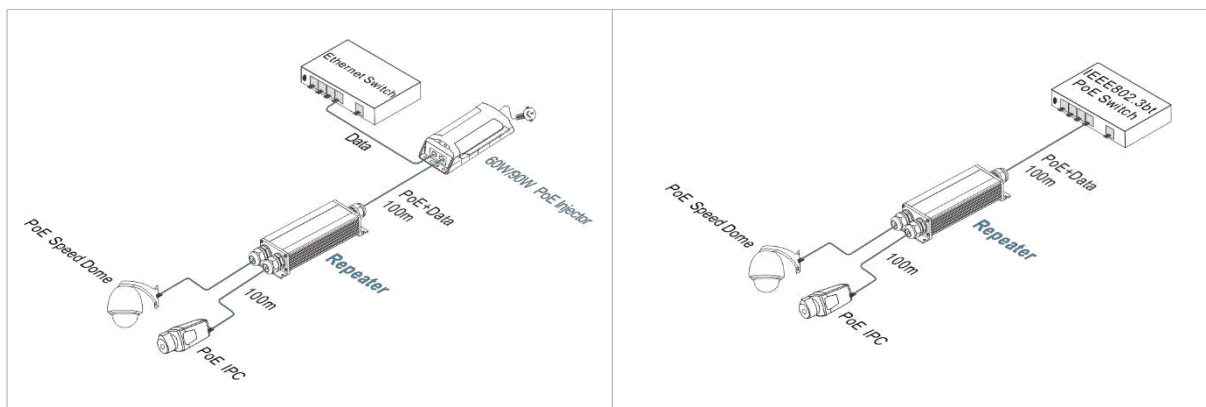
- Waterproof IP67-rated and IK10 aluminum case
- Wall-mount design
- Supports 6kV surge immunity and 8kV ESD protection
- Wide working temperature: -20~75°C
- No external power cable required for installation
- Plug and play installation

Strong Layer 2 Features

- Supports 2k MAC addresses, which allows the connection of more devices
- 10kB jumbo frame support in 1000Mbps duplex mode
- Automatic address learning and address aging
- IEEE 802.3x pause frame for full duplex, back pressure for half duplex



### Applications



## Transmission Performance

### 1 Repeater

|                          |              |             |
|--------------------------|--------------|-------------|
| <b>Input Power</b>       | <b>90W</b>   |             |
| <b>Cable Type</b>        | <b>Cat5e</b> | <b>Cat6</b> |
| <b>1 Repeater (101m)</b> |              |             |
| <b>Output Power</b>      | 60.5W        | 60.9W       |
| <b>1 Repeater (200m)</b> |              |             |
| <b>Output Power</b>      | 52W          | 53W         |

### 2 Repeater

|                           |              |             |
|---------------------------|--------------|-------------|
| <b>Input Power</b>        | <b>90W</b>   |             |
| <b>Cable Type</b>         | <b>Cat5e</b> | <b>Cat6</b> |
| <b>2 Repeaters (201m)</b> |              |             |
| <b>Output Power</b>       | 48.2W        | 49.4W       |
| <b>2 Repeaters (300m)</b> |              |             |
| <b>Output Power</b>       | 37.5W        | 38.9W       |

### 3 Repeater

|                           |              |             |
|---------------------------|--------------|-------------|
| <b>Input Power</b>        | <b>90W</b>   |             |
| <b>Cable Type</b>         | <b>Cat5e</b> | <b>Cat6</b> |
| <b>3 Repeaters (301m)</b> |              |             |
| <b>Output Power</b>       | 33.6W        | 34.8W       |
| <b>3 Repeaters (400m)</b> |              |             |
| <b>Output Power</b>       | 22.5W        | 24W         |

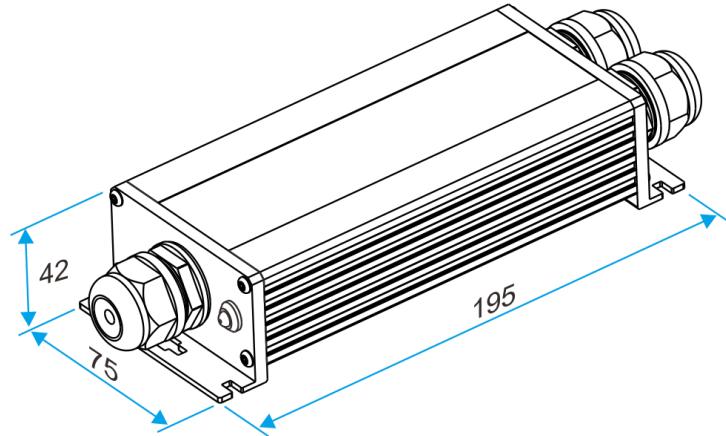
## Specifications

| Items                        | 20117487   |
|------------------------------|--|
| <b>Ethernet Ports</b>        |  |
| PoE Input Port               | 1*10/100/1000Base-TX RJ-45   |
| PoE Output Port              | 2*10/100/1000Base-TX RJ-45   |
| <b>PoE</b>                   |  |
| PoE Standard                 | IEEE 802.3af/at/bt   |
| PoE Power Supply Type        | End-span, Mid-span   |
| PoE Pin Assignment           | 1/2(-), 3/6(+), 4/5 (+), 7/8 (-)                                       |
| Input Voltage                | 50~57V DC, max 90W   |
| PoE Output Power             | 65W(max)   |
| Single Port PoE Output Power | 60W(max)   |
| <b>Switch Property</b>       |  |
| Standards                    | IEEE 802.3, IEEE 802.3u, IEEE 802.3ab                                  |
| Forwarding Modes             | Store and Forward  |
| Transmission Distance        | Extend 100m by 1pcs, max. 400m when 3pcs in cascade                    |
| MAC Table                    | 2k   |
| Switching Capacity           | 6Gbps  |
| Packet Forwarding Rate       | 4.46Mpps   |
| Flow Control                 | IEEE 802.3x pause frame for full duplex, Back pressure for half duplex |
| Jumbo Frame                  | 10kB   |
| <b>Environment</b>           |  |
| Surge Immunity               | 6kV, Standard: IEC61000-4-5  |
| ESD Protection               | 6kV Contact Discharge, 8kV Air Discharge, Standard: IEC61000-4-2       |
| Enclosure                    | IP67-rated and IK10 aluminum case                                      |
| Operating Temperature        | -20°C~75°C   |
| Storage Temperature          | -40°C~85°C   |
| Operating Humidity           | 0~95% (No condensation)  |
| <b>Physical Parameters</b>   |  |
| Dimensions (W*D*H)           | 195mm*75mm*42mm  |
| Net Weight                   | 519g±10g   |
| Material                     | Metal Shell  |
| Installation                 | Wall-mounted   |
| <b>Certifications</b>        |  |
| Certifications               | CE, FCC  |

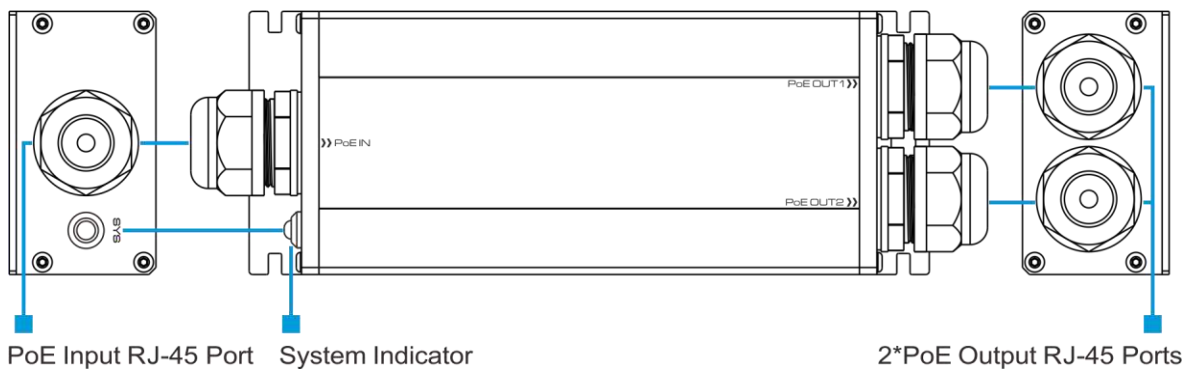
## Appearances and Dimensions

20117487

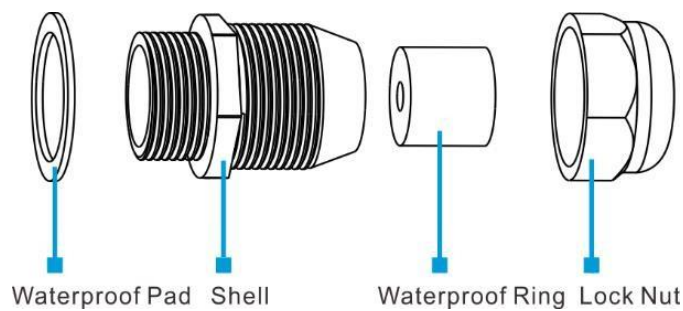
Dimensions(mm)



Interfaces and Indicator



Waterproof Joint



## Packing List

Welcome to order our products. After purchasing, you will receive:

| Item                     | Quantity |
|--------------------------|----------|
| Repeater                 | 1 pc     |
| Mounting Accessory       | 1 set    |
| Quick Installation Guide | 1 pc     |