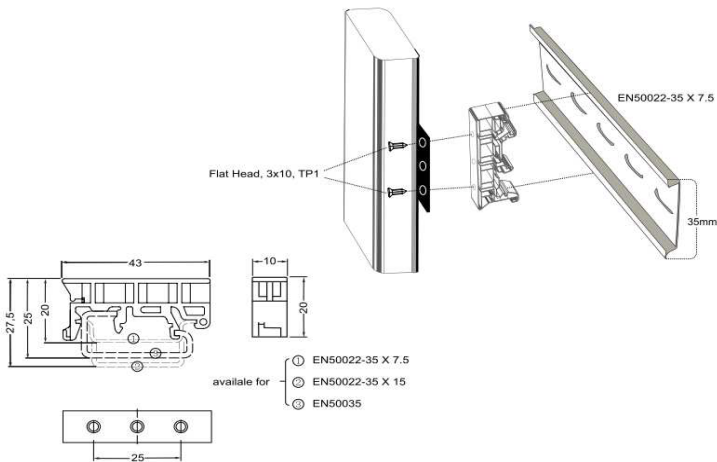




56V 90W PoE Output  
on all 4 pairs

100~240V  
AC input



1G/5G Ethernet  
Data

