

DPX-XT SERIES

ADVANCED XT/XT-2P/XT-4P EXTENDER



USER MANUAL

Best.nr: 22115376

Single Head DisplayPort, USB 2.0 and Audio KVM CAT5/6 Extender

Dual Head DisplayPort, USB 2.0 and Audio KVM CAT5/6 Extender

Quad Head DisplayPort, USB 2.0 and Audio KVM CAT5/6 Extender

DIREKTRONIK



Designed and Manufactured in the USA

Smart-AM

TABLE OF CONTENT

TECHNICAL SPECIFICATIONS	3
WHAT'S IN THE BOX?	4
FRONT AND REAR	4
INSTALLATION	5-8
LED's BEHAVIOR	11
SYSTEM OPERATION	12
TROUBLESHOOTING	12
TECHNICAL SUPPORT	12
LIMITED WARRANTY STATEMENT	13

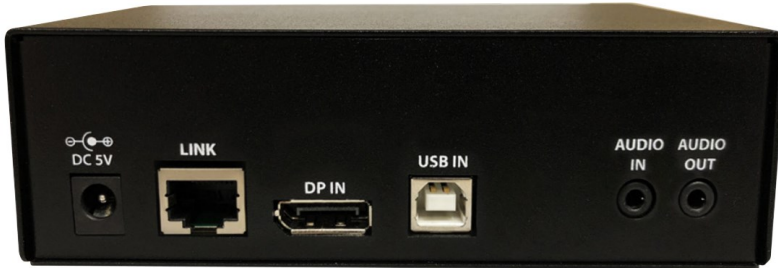
TECHNICAL SPECIFICATIONS

VIDEO		
Format	DisplayPort 1.1 and 1.2	
Video Resolution	3840 x 2160 @ 30 Hz	
Video Bandwidth	Single-link 340 MHz (10.2 Gbps)	
Input Interface (TX)	DPX-XT	(1) DisplayPort
	DPX-XT-2P	(2) DisplayPort
	DPX-XT-4P	(4) DisplayPort
Output Interface (RX)	DPX-XT	(1) DisplayPort
	DPX-XT-2P	(2) DisplayPort
	DPX-XT-4P	(4) DisplayPort
Max Output Distance	Up to 1920 x 1200 @ 60 Hz	
Equalization	Automatic	
Input TMDS Signal	1.2 Volts [peak-to-peak]	
Input DDC Signal	5 Volts [peak-to-peak, TTL]	
Data Rate	1.65 Gbps per color	
AUDIO		
Format	Stereo	
Input Interface	3.5 mm Jack Socket (female)	
Output Interface	3.5 mm Jack Socket (female)	
USB		
Input Interface (TX)	(1) USB Type B	
Output Interface (RX)	(2) USB 1.1 Type A for KM Devices; (2) USB 2.0 Type A Transparent	
Keyboard and mouse	Keyboard and mouse emulation	
SYSTEM		
Interface	RJ-45	
Cable Requirements	CAT5/5e/6	
Maximum Length	330 ft	
OTHER		
Power	100-240 VAC/ 5VDC @ 3A/15W	
Approvals	UL, CE, ROHS Compliant	
Operating Temp.	+32 to +104°F (0 to +40°C)	
Storage Temp.	-4 to 140°F (-20 to +60°C)	
Humidity	Up to 95% (No Condensation)	
Compliance EMC	FCC (Class A), CE (Class A), ICES-003	
Envr. Compliance	RoHS2 (CE)	
Support Warranty	1-year	

WHAT'S IN THE BOX?

DPX-XT Unit	Single/Dual/Quad Head DisplayPort, USB 2.0, Audio, CAT5/5e/6 Extender.
PS5VD3A-WMT	5V DC, 3A (minimum) power adapter with center-pin positive polarity.
User Manual	

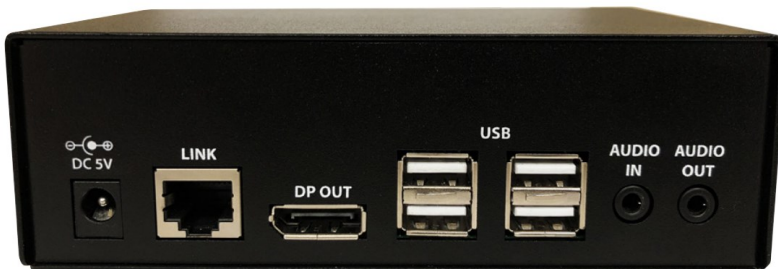
DPX-XT TRANSMITTER REAR



DPX-XT TRANSMITTER FRONT



DPX-XT RECEIVER REAR



DPX-XT RECEIVER FRONT

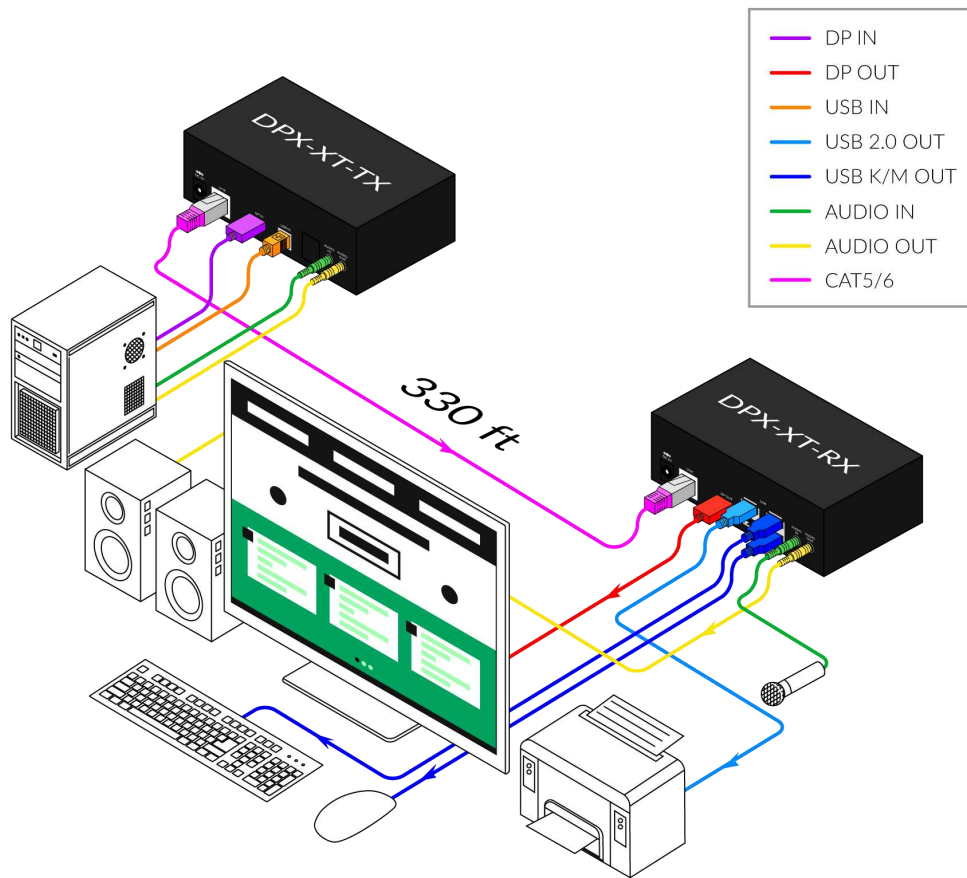


INSTALLATION

1. Ensure that power is turned off or disconnected from the unit and the computers.
2. Use a **DisplayPort cable** to connect the DP output port from each computer to the corresponding DP IN ports of the unit.
3. Use a **USB cable (Type-A to Type-B)** to connect a USB port on each computer to the respective USB ports of the unit.
4. Optionally connect a **stereo audio cable (3.5mm to 3.5mm)** to connect the audio output of the computers to the AUDIO IN ports of the unit.
5. Connect a monitor to the DP OUT console port of the unit using a **DisplayPort cable**.
6. Connect a **USB keyboard and mouse** in the two USB console ports.
7. Optionally connect stereo speakers to the AUDIO OUT port of the unit.
8. Finally, power on the KVM by connecting a **12VDC power supply** to the power connector, and then turn on all the computers.

APPLICATION DIAGRAM DPX-XT

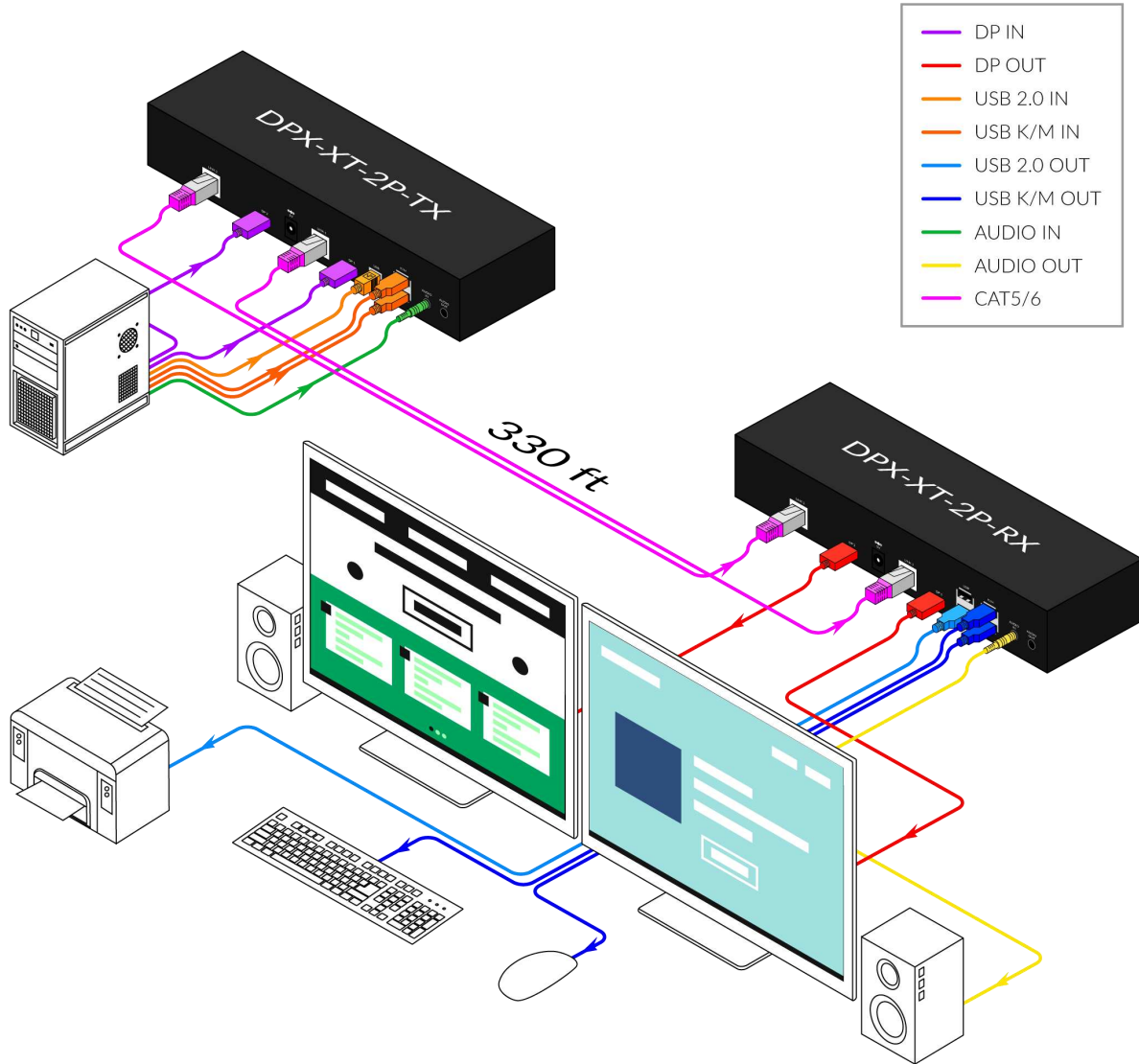
The DPX-XT is a Single Head DisplayPort 4K/30Hz, USB 2.0, USB 1.1 keyboard-mouse and stereo audio extender, sending signals up to 330 ft (100 m) away over a single conventional and inexpensive CAT5/5e/6 cable.



Part No.	Description
DPX-XT-S	Single Head DisplayPort, USB2.0, Audio, CAT5/5e/6 Extender. Includes: [DPX-XT-TX-S, DPX-XT-RX-S, 2x(PS5VD3A-WMT)]
DPX-XT-TX-S	Single Head DisplayPort, USB2.0, Audio, CAT5/5e/6 Transmitter. Includes: [DPX-XT-TX-S, PS5VD3A-WMT]
DPX-XT-RX-S	Single Head DisplayPort, USB2.0, Audio, CAT5/5e/6 Receiver. Includes: [DPX-XT-RX-S, PS5VD3A-WMT]

APPLICATION DIAGRAM DPX-XT-2P

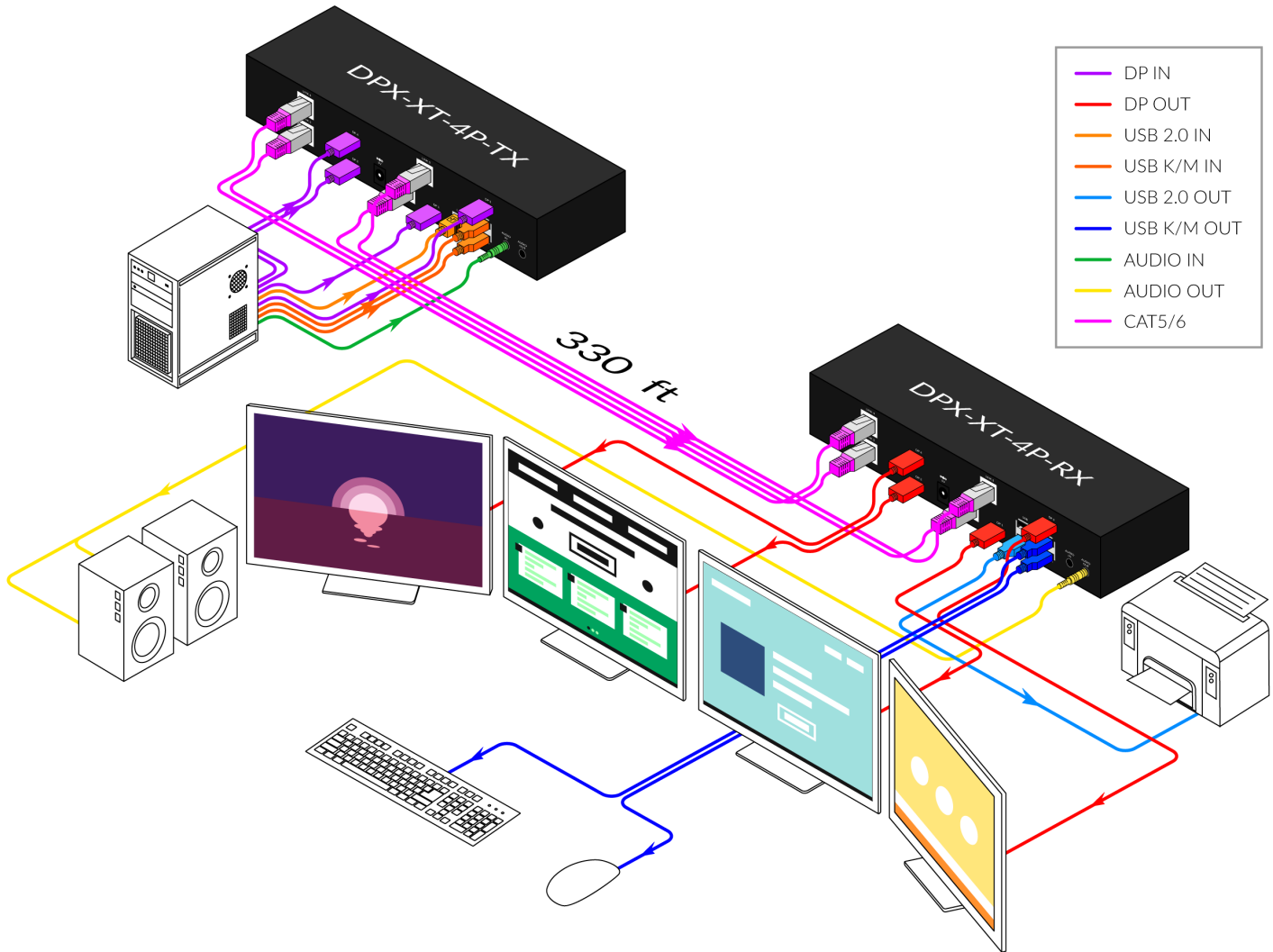
The DPX-XT-2P is Dual Head DisplayPort 4K/30Hz, USB 2.0, USB 1.1 keyboard-mouse and stereo audio extender, sending signals up to 330 ft (100 m) away over two conventional and inexpensive CAT5/5e/6 cables.



Part No.	Description
DPX-XT-2P-S	Dual Head DisplayPort, USB 2.0, Audio, CAT5/5e/6 Extender. Includes: [DPX-XT-2P-TX-S, DPX-XT-2P-RX-S, 2x (PS5VD3A-WMT)]
DPX-XT-2P-TX-S	Dual Head DisplayPort, USB 2.0, Audio, CAT5/5e/6 Transmitter. Includes: [DPX-XT-2P-TX-S, PS5VD3A-WMT]
DPX-XT-2P-RX-S	Dual Head DisplayPort, USB 2.0, Audio, CAT5/5e/6 Receiver. Includes: [DPX-XT-2P-RX-S, PS5VD3A-WMT]

APPLICATION DIAGRAM DPX-XT-4P

The DPX-XT-4P is Quad Head DisplayPort 4K/30Hz, USB 2.0, USB 1.1 keyboard-mouse and stereo audio extender, sending signals up to 330 ft (100 m) away over four conventional and inexpensive CAT5/5e/6 cables.



Part No.	Description
DPX-XT-4P-S	Quad Head DisplayPort, USB 2.0, Audio, CAT5/5e/6 Extender. Includes: [DPX-XT-4P-TX-S, DPX-XT-4P-RX-S, 2x (PS5VD3A-WMT)]
DPX-XT-4P-TX-S	Quad Head DisplayPort, USB 2.0, Audio, CAT5/5e/6 Transmitter. Includes: [DPX-XT-4P-TX-S, PS5VD3A-WMT]
DPX-XT-4P-RX-S	Quad Head DisplayPort, USB 2.0, Audio, CAT5/5e/6 Receiver. Includes: [DPX-XT-4P-RX-S, PS5VD3A-WMT]

LED CONTROL

NAME	DESCRIPTION
PWR	Solid red LED when power is connected
Link	Solid green LED when cat5 is connected
FW	Blinking green LED when transferring information between unit and computer

TROUBLESHOOTING

No Power

- Make sure that the power adapter is securely connected to the power connector of the unit.
- Check the output voltage of the power supply and make sure that the voltage value is around 12VDC.
- Replace the power supply.

No Video

- Check if all the video cables are connected properly.
- Connect the computer directly to the monitor to verify that your monitor and computer are functioning properly.
- Restart the computers

Keyboard is not working

- Check if the keyboard is properly connected to the unit.
- Check if the USB cables connecting the unit and the computers are properly connected.
- Try connecting the USB on the computer to a different port.
- Make sure that the keyboard works when directly connected to the computer.
- Replace the keyboard.

Mouse is not working

- Check if the mouse is properly connected to the unit.
- Try connecting the USB on the computer to a different port.
- Make sure that the mouse works when directly connected to the computer.
- Replace the mouse.

No Audio

- Check if all the audio cables are connected properly.
- Connect the speakers directly to the computer to verify that the speakers and the computer audio are functioning properly.
- Check the audio settings of the computer and verify that the audio output is through the speakers.

TECHNICAL SUPPORT

For product inquiries, warranty questions, or technical questions, please contact info@smartavi.com.

LIMITED WARRANTY STATEMENT

A. Extent of limited warranty

SmartAVI, Inc. warrants to the end-user customers that the SmartAVI product specified above will be free from defects in materials and workmanship for the duration of 1 year, which duration begins on the date of purchase by the customer. Customer is responsible for maintaining proof of date of purchase.

SmartAVI limited warranty covers only those defects which arise as a result of normal use of the product, and do not apply to any:

- a. Improper or inadequate maintenance or modifications
- b. Operations outside product specifications
- c. Mechanical abuse and exposure to severe conditions

If SmartAVI receives, during applicable warranty period, a notice of defect, SmartAVI will at its discretion replace or repair defective product. If SmartAVI is unable to replace or repair defective product covered by the SmartAVI warranty within reasonable period of time, SmartAVI shall refund the cost of the product.

SmartAVI shall have no obligation to repair, replace or refund unit until customer returns defective product to SmartAVI.

Any replacement product could be new or like new, provided that it has functionality at least equal to that of the product being replaced.

SmartAVI limited warranty is valid in any country where the covered product is distributed by SmartAVI.

B. Limitations of warranty

To the extent allowed by local law, neither SmartAVI nor its third party suppliers make any other warranty or condition of any kind whether expressed or implied with respect to the SmartAVI product, and specifically disclaim implied warranties or conditions of merchantability, satisfactory quality, and fitness for a particular purpose.

C. Limitations of liability

To the extent allowed by local law the remedies provided in this warranty statement are the customers sole and exclusive remedies.

To the extent allowed by local law, except for the obligations specifically set forth in this warranty statement, in no event will SmartAVI or its third party suppliers be liable for direct, indirect, special, incidental, or consequential damages whether based on contract, tort or any other legal theory and whether advised of the possibility of such damages.

D. Local law

To the extent that this warranty statement is inconsistent with local law, this warranty statement shall be considered modified to be consistent with such law.

Smart-AVI

SMART AUDIO VIDEO INNOVATION

NOTICE

The information contained in this document is subject to change without notice. SmartAVI makes no warranty of any kind with regard to this material, including but not limited to, implied warranties of merchantability and fitness for particular purpose. SmartAVI will not be liable for errors contained herein or for incidental or consequential damages in connection with the furnishing, performance or use of this material. No part of this document may be photocopied, reproduced, or translated into another language without prior written consent from SmartAVI, Inc.

20180109



Designed and Manufactured in the USA

DIREKTRONIK

Direktronik AB tel. 08-52 400 700 www.direktronik.se