

Overview

Bandwidth: 250MHz
 OD: 6.0mm
 Conductor: 24AWG
 Approvals: RoHS
 Connector: Gold plated RJ45 connector

Physical Characteristics

- Cable Type – CAT6 UTP
- Connector Type(s) – RJ45
- Wiring Scheme – T568B Cross-Over
- Temperature Rating
 - Installation: 0°C~50°C
 - Operation: -20°C~60°C
- Voltage Rating – 30V

Conductor (Qty. 4 twisted pair)

- Conductor Type – 24AWG(7/0.20±0.008mm), Stranded BC
- Insulation – HDPE
- Diameter – 0.96±0.05mm
- Pair Identification:
 - Pair1=Orange, Orange-White
 - Pair2=Blue, Blue-White
 - Pair3=Green, Green-White
 - Pair4=Brown, Brown-White

Connector Type (Qty. 2)

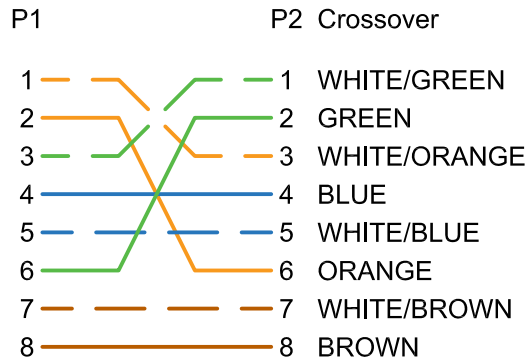
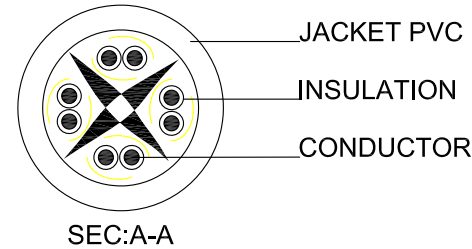
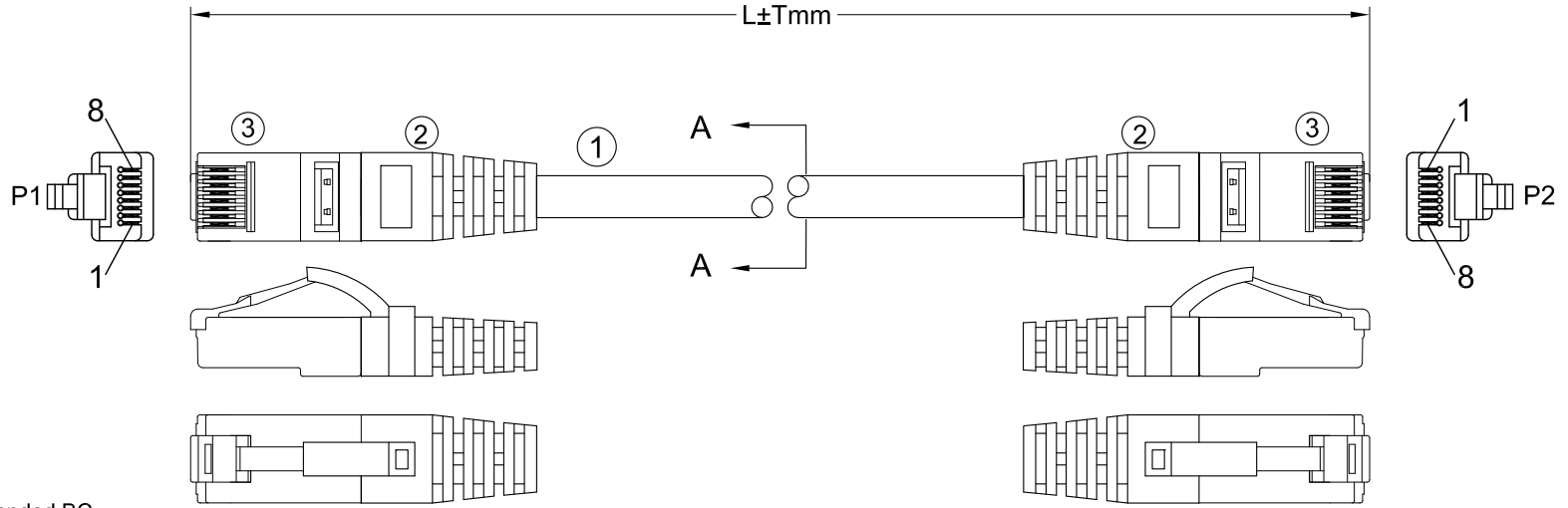
- Connector Type – 8P8C (RJ45)
- Gender – Male
- Connector Material – PC
- Contact Material – Copper Alloy, Gold Plating
- Hood Material – Molded PVC

Overall Cable

- Jacket – PVC
- Minimum Average Thickness – 0.60mm
- Outer Diameter – 6.0 ± 0.20mm

Electrical Characteristics

- Conductor DC Resistance – 11.2Ω/100m (maximum)
- Impedance – 100Ω
- Capacitance – 5600pf/100m
- Propagation Delay – 545ns/100m (maximum)
- Delay Skew – 45ns/100m (maximum)
- DSX 8000 Fluke Channel Test



ITEM NO:	CAT.6 UTP CROSS-OVER PATCH CABLE		DRAWER DATE	FW
TITLE			CHECKED DATE	ACE
CUSTOMER			APPROVED DATE	20220615
MATERIAL	SCALE	UNIT	MM	
REV.	A			
DRAWING NO:	60U0P600720HB 115---20615133			
ACAD FILE	E:\			

3	RJ45 PLUG: 8P8C GOLD PLATED TWO-PIECE PLUG.	
2	MOLDED: PVC MOLDED BOOT .	
1	CABLE: CAT6 UTP 4P/24AWG(7/0.20BC±0.008) OD=Ø6.0±0.20MM PVC JACKET.	
NO.	SPECIFICATION	Q'TY
BOM LIST		