

Overview

Bandwidth: 500MHz
 OD: 1.0±0.15*4.0±0.2mm
 Conductor: 34AWG
 Approvals: RoHS
 Connector: gold plated RJ45 connector

Physical Characteristics

- Cable Type – Cat6A UTP
- Connector Type(s) – RJ45
- Wiring Scheme – T568A or T568B
- Temperature Rating – -20°C to +75°C
- Voltage Rating – 30V

Conductor (Qty. 4 twisted pair)

- Conductor Type – 34AWG(7/0.06), Stranded Bare Copper
- Insulation – HDPE
- Diameter – 0.35±0.05mm
- Pair Identification:
 - Pair1=Orange, White(Orange-White)
 - Pair2=Blue, White(Blue-White)
 - Pair3=Green, White(Green-White)
 - Pair4=Brown, White(Brown-White)

Connector Type (Qty. 2)

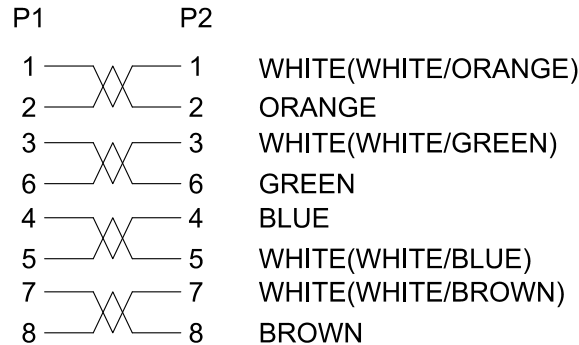
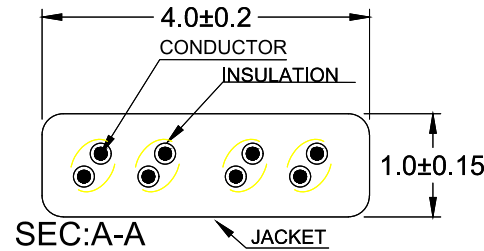
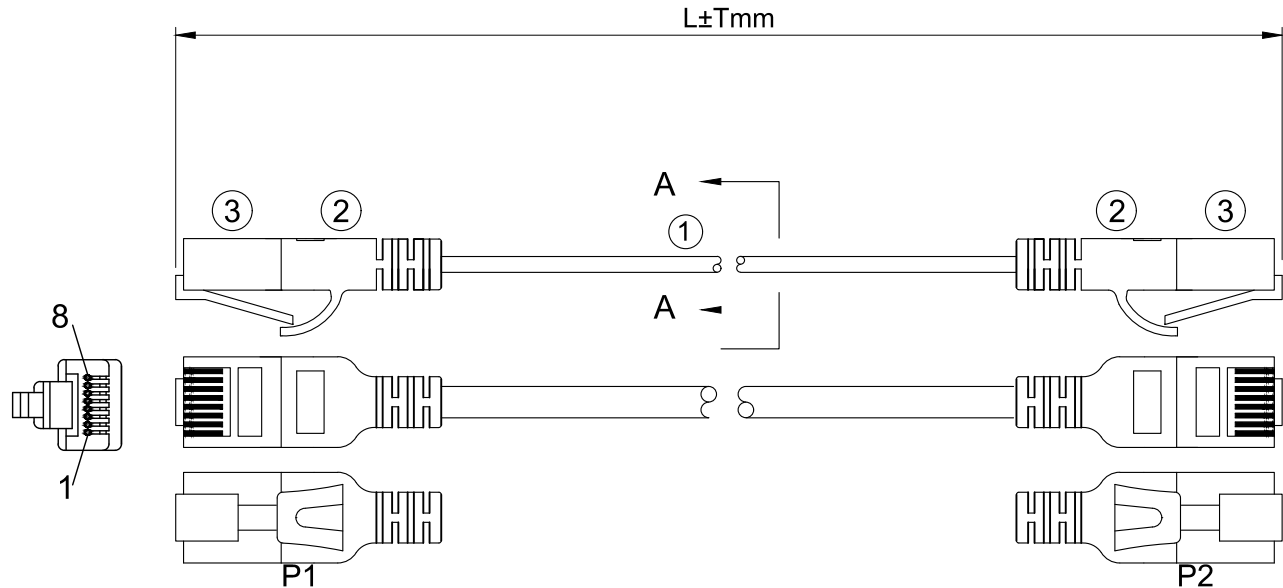
- Connector Type – 8P8C (RJ45)
- Gender – Male
- Connector Material – PC
- Contact Material – Copper Alloy, Gold Plating
- Hood Material – Molded PVC

Overall Cable

- Jacket – PVC
- Minimum Average Thickness – 0.60mm
- Outer Diameter – 1.0±0.15*4.0±0.2mm

Electrical Characteristics

- Conductor DC Resistance – 24.2Ω/100m (maximum)
- Impedance – 100±15%
- Capacitance – 5600pf/100m
- Propagation Delay – 545ns/100m (maximum)
- Delay Skew – 45ns/100m (maximum)
- PASS FLUKE DS-8000 CHANNEL TST



| P/N | LENGTH(mm) | TOLERANCE |
|-----|------------|-----------|
| | 200 | ±15mm |
| | 300 | ±15mm |
| | 500 | ±15mm |
| | 750 | ±15mm |
| | 1000 | ±20mm |
| | 1500 | ±20mm |
| | 2000 | ±30mm |
| | 2500 | ±30mm |
| | 3000 | ±30mm |
| | 3500 | ±30mm |
| | 4000 | ±30mm |
| | 4500 | ±30mm |
| | 5000 | ±30mm |
| | 7000 | ±60mm |
| | 7500 | ±60mm |
| | 10000 | ±80mm |

| | | | | | |
|----------|---------------------------|------|----|---------------|----------|
| ITEM NO: | FLAT CAT6A UTP PATCH CORD | | | DRAWER DATE | LY |
| TITLE | | | | CHECKED DATE | 20190221 |
| CUSTOMER | | | | APPROVED DATE | MTC |
| MATERIAL | SCALE | | | | |
| REV. | A | UNIT | MM | | |

| | | |
|----------|--|------|
| 3 | RJ45 PLUG: 8P8C GOLD PLATED TWO PIECES SHORT BODY PLUG. | |
| 2 | MOLDED: PVC MOLDED BOOT . | |
| 1 | CABLE: CAT6A UTP 4P/34AWG(7/0.06BC) OD=Ø1.0±0.15*4.0±0.2mm PVC JACKET. | |
| NO. | SPECIFICATION | Q'TY |
| BOM LIST | | |