


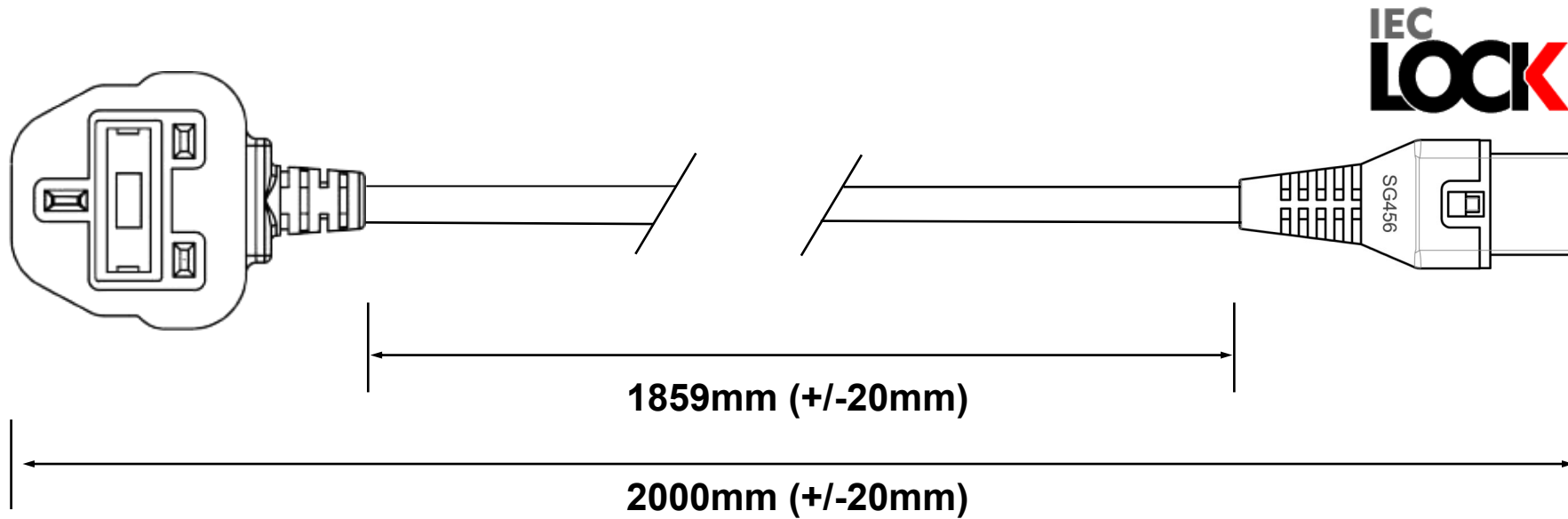


| | | | |
|-------------------------------|---|--|--|
| Barcode 05055112822717 | CABLE REQUIREMENTS: Colour: BLACK Type: 3 Core 1.00mm ² H05VV-F (European Approved) Conductor Colour Codes: Earth (Green & Yellow)  Neutral (Blue)  Live (Brown)  | PLUG / END A REQUIREMENTS: Type: SP-62 Colour: BLACK Rating: 5A FUSE Reference: Fully Moulded 3 Pin UK Plug (UK Approved) | CONNECTOR / END B REQUIREMENTS: Type: SG456 Colour: BLACK Rating: 10A Reference: C13 IEC Lock Connector (European Approved) |
| | Complete Powerlead Rated: 5A/250V | | |



| |
|--|
| EXTRA REQUIREMENTS: PACKAGING OUTER100 PIN PROTECTING COVERYES WIRING INSTRUCTIONSNO PRE-SHIPMENT INSPECTION REQUIRED.....NO COMMENTS: |
|--|

| |
|---------------------------|
| CHANGE MANAGEMENT: |
|---------------------------|

| |
|--|
| HANKING Fig.8 (200mm) |
|--|

| |
|--|
| TERMINATIONS / FURTHER COMMENTS:  Dataprodukter utöver det vanliga |
|--|