

TEST-i Multi Function Cable Tester

The third generation of PC cable tester TEST-i, a specially designed multi function cable tester that tests and analyzes a comprehensive range of PC connector types and the most commonly used flat cables.

The TEST-i not only tests each pins connection to identify opened wires, shorted wires, cross wires, and mis-wires. It also shows pin-to-pin connectivity, and can also records up to 100 test results. The crucial data collected can be saved and uploaded to a PC via USB for analysis. With an integrated LCD display (with back light function), users can clearly determine the cable pin wiring easily and efficiently. The TEST-i makes an excellent and essential tool for a system integrator to quickly troubleshoot and perform pin-to-pin test on PC cables.

Features

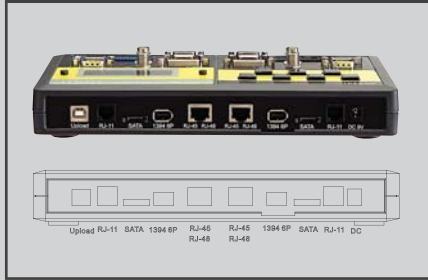
- Identify opened wires, shorted wires, cross wires, and mis-wires connectivity
- Support 18 flat types of PC connectors
- 100 test results can be saved and transferred to PC via USB line
- Alphanumeric LCD display with back light
- With test cable, browse, quick test function
- Low battery indicator

Specifications

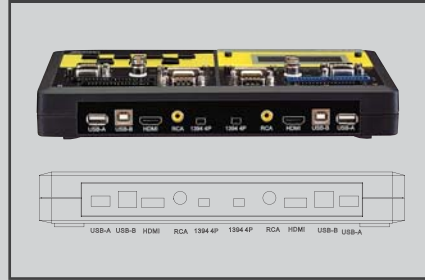
- Model No.: 258898
- Connectors: IDC40, IDC34, DVI29, HDB15M/F, DB9M/F, COAX, BNC, RJ11, RJ45, 1394-6P, 1394-4P, SATA, USB (A/B), HDMI, RCA
- Control switch: On/OFF, UP, DOWN, SAVE, DELETE, BACK, ENTER
- Display: LCD size, 2 rows-16 characters, backlight
- Power: DC 9V battery compartment, DC 9V 150mA power jack (adapter not included)



Front side



Back side



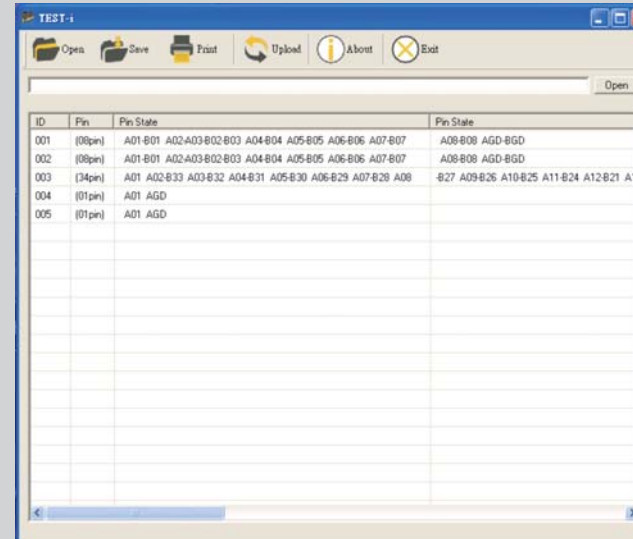
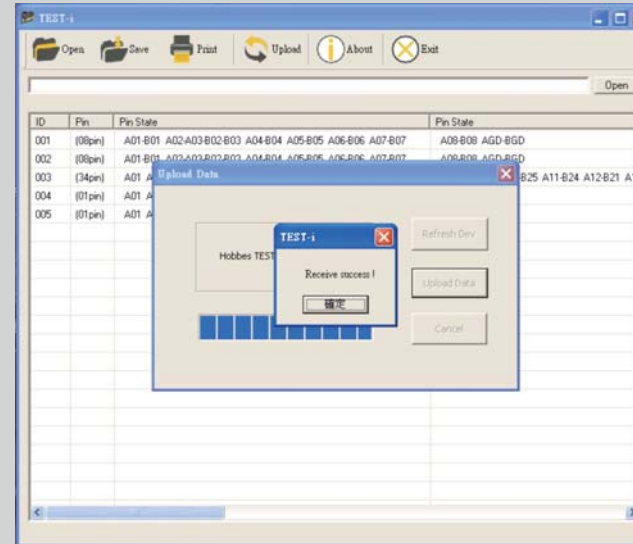
Order Information

Best.nr: 20108540



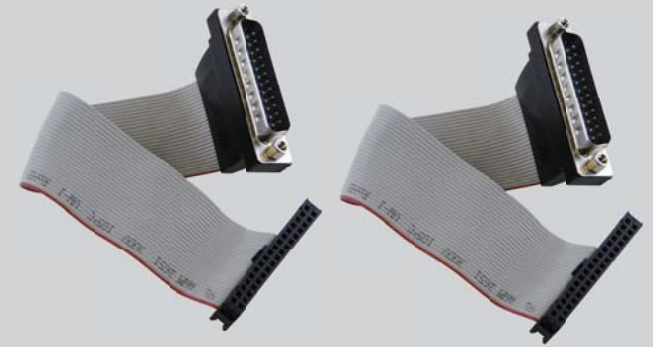
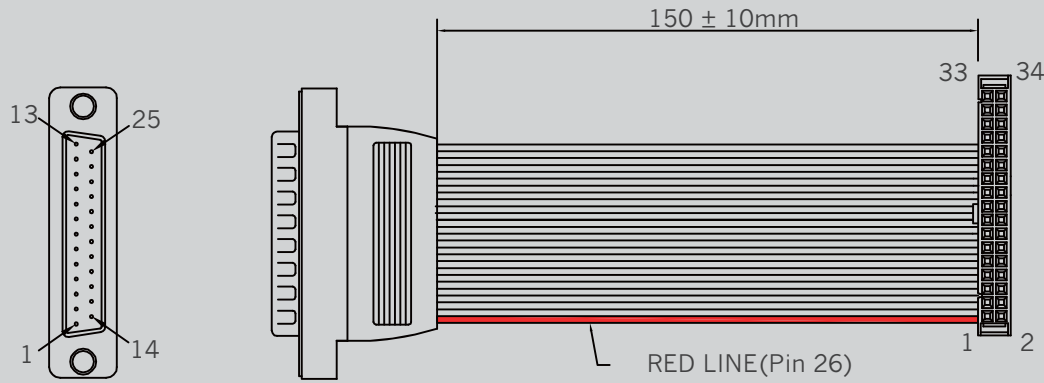
20108540 TEST-i Multi function cable tester
with Ribbon 34 female to DB25 male cable x 2
and Ribbon 34 female to DB25 female cable x 2

TEST-i uploading data



Cable Tester	N/A	20108540
Connectors	IDC40, IDC34, DVI29, HDB15M/F, DB9M/F, COAX, BNC, RJ11, RJ45, 1394-6P, 1394-4P, SATA, USB (A/B), HDMI, RCA	IDC40, IDC34, DVI29, HDB15M/F, DB9M/F, COAX, BNC, RJ11, RJ45, 1394-6P, 1394-4P, SATA, USB (A/B), HDMI, RCA, adapter cable Ribbon 34 female to DB25 male cable x 2 and Ribbon 34 female to DB25 female cable x 2
Control switch	Control Switch ON/OFF, UP, DOWN, SAVE, DELETE, BACK, ENTER	Control Switch ON/OFF, UP, DOWN, SAVE, DELETE, BACK, ENTER
Extension Port	stand alone	stand alone
Display	LCD display w/back light	LCD display w/back light
Power	Power DC 9V battery compartment, DC 9V 150mA power jack (adapter not included)	Power DC 9V battery compartment, DC 9V 150mA power jack (adapter not included)
Cable test	Opened, shorted, cross wires, mis-wires, and pin-to-pin	Opened, shorted, cross wires, mis-wires, and pin-to-pin
Wire map	Yes	Yes
Quick test	Yes	Yes
Save	save and uploaded to PC via USB line	save and uploaded to PC via USB line
Data	100 results	100 results
Dimension	250 x 138 x 44mm	250 x 138 x 44mm
Weight	802.7g	916.7g

Ribbon 34 to DB25 male cable



Ribbon 34 to DB25 female cable

