
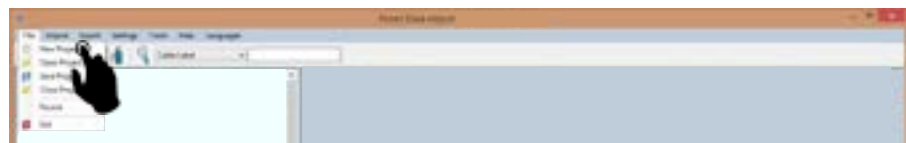




## Performing AutoTest

To perform an autotest, press the AUTOTEST button. The test will start automatically if the test setting matches the configuration of set reference stored. If the reference setting does not exist, the device will prompt to perform a set reference.

## Using the eXport software

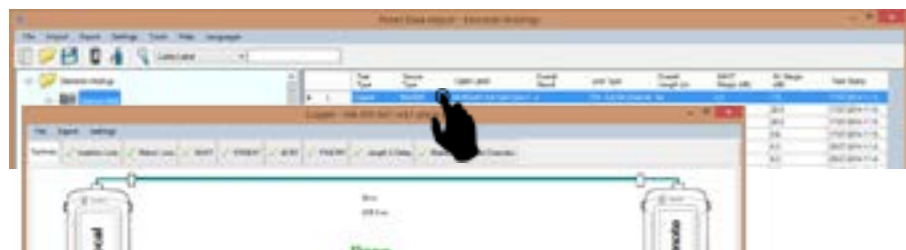
1. Launch eXport software.
2. Create a new project by going to File > New Project or click 



3. To import saved results, go to
  - Import > Device for direct USB connection or click 
  - Import > USB Flash drive for importing from USB flash drives or click 
  - Import > From PC for importing from local hard drives



4. To view detailed results, double click on the cable label and a new window with comprehensive results and plots will be opened.



## List-Based Testing

### Hierarchy Label List Generation

The Label List Generator generates cable labels in customizable hierarchical (building name-> floor-> telecom room-> rack-> panel-> port) order before conducting cable certifications, reducing effort from keying labels after every test. The pre-defined labels imported into the device will prevent duplicate testing when conducting in non-sequential orders.

To create label list,

1. Launch eXport and go to Tools > Label List Generator.
2. Enter the first and last label of each tier into the respective fields.
3. Tiers can be disabled by unchecking if it is not applicable.
4. Click the "Save" button to save the list based labels.
5. Insert USB flash drive to PC and click the "Export to USB" to begin export.



To load label list,

1. Insert USB flash drive to Local unit of WireXpert.
2. Select "Label List" and select the label you want to import.
3. Click "Copy Label Files" to proceed.



4. Press the "SETUP" button > Project Settings > Label Source
5. Select "List Based Testing" and select the LBT file that has just been imported.
6. Press the AUTOTEST button to view list and select label for test.



After every test, **PASS** and a **FAIL** will be displayed accordingly.



# WireXpert

## Quick Start Guide

### Optical Loss Test Kit



Single Mode Adapter Kit



Multi-Mode Adapter Kit

The WireXpert optical testing solution is available for Single-mode and Multi-mode certification as separate kits. The Single-mode kit allows Tier-1 certification on two wavelengths simultaneously at 1310nm and 1550nm. Multi-mode performs Tier-1 certification at 850nm and 1300nm.

The kit ships with the adapters and reference cords for launch and tail cords. The Multi-mode kit ships with a pair of mandrels. Encircled Flux conditioners are available as an orderable option.

### Single-mode Adapter Kit (WX\_AD\_SM2)

#### Kit Contents

- A pair of Single-mode adapters with source wavelengths of 1310 nm/1550 nm
- A pair of SC-SC duplex reference cords 9/125 um (2m)

### Multi-mode Adapter Kit (WX\_AD\_VCL\_MM2)

#### Kit Contents

- A pair of Multi-mode adapters with source wavelengths of 850 nm/1300 nm
- A pair of SC-SC duplex reference cords 50/125 um (2 m)
- A pair of mandrels for 50/125 um Fiber



The Single-mode and Multi-mode adapters come with two ports - Rx for Receive and Tx for Transmit. They are marked at the top of the adapter.

# Getting Started



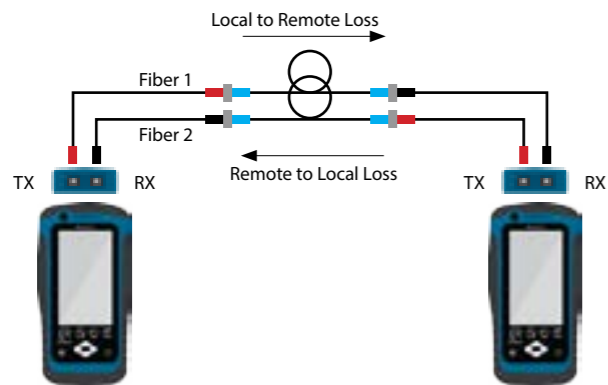
## SETUP Configuration for Set Reference

1. To set reference, press the SETUP button > Configuration
2. Determine the number of jumpers by selecting configuration

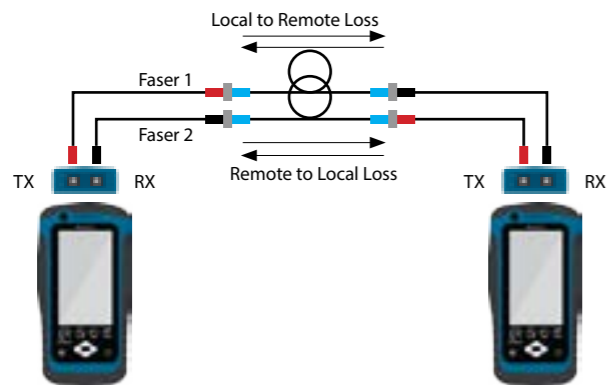


### Single and Bi-Directional Testing

Choose "Single Direction" unless specific need to perform bi-directional testing is required.

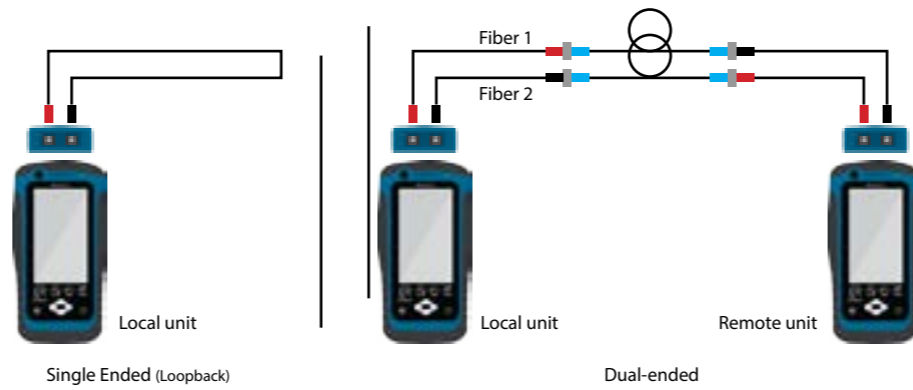


In a single directional measurement, the loss in each fiber is measured only in one direction. As shown in the figure above, the loss is measure only from the Local to Remote on Fiber 1 and Remote to Local direction in Fiber 2.



For a "Bi-Directional" measurement, the loss in each Fiber is measured in both directions from the Local and Remote units. This test requires swapping the fiber connections in the middle of autotest. Please do no swap the connections for setting reference and continue both steps retaining the connections.

## Single or Dual Ended Configuration



This configuration allows selection between Single-ended testing or using Remote unit to perform Dual-ended autotest. For Single Ended loopback setting, connect a short patch cord at the Remote end to provide the loopback.



## TOOLS Setting Reference



After configuring the Set Reference, go to TOOLS menu and click on the "Set Reference" button.

Use a reference cord shipped with the kit to perform reference setting. The length and loss of the reference cord determine the quality of the reference set.

*Note 1: WireXpert prompts an error during autotest if the reference setting for the corresponding configuration is not performed before running the autotest.*  
*Note 2: WireXpert also verifies the quality of reference setting. It will warn and disallow completion to setting reference if high loss or long patch cords is detected. Always use the reference cords shipped with the kit.*



## SETUP Limit and Connector Settings

Before performing autotest, the appropriate limits need to be selected for testing. If either TIA or ISO limits are selected, the PASS/FAIL criteria is determined by the loss limit specified in the standard, TIA 568 C.3 for TIA, and ISO 14763-3 for ISO.



Configure the number of splices and connectors in the link under test. In a TIA/ISO limit selection, the limit is calculated based on the configured number of connectors and splices. Please exclude the connectors during Set Reference.

The maximum allowable loss for a connector is 0.75dB according to both the standards. Nevertheless, WireXpert allows users to set more stringent standards for connector loss should it be required.

Link Validation limit allows you to set end-end loss irrespective of the configuration such as number of connectors or splices. The test result is determined by the customized loss value configured.



### Length Limit



Most of the standards like TIA 942-A have removed the maximum length requirements on the link. However, WireXpert allows you to configure the length limit to determine the PASS/FAIL criteria of an autotest. Set it to a big number should you feel the limit unnecessary.